

3M™ Wireless Communication System Model XT-1

Digital
clarity,
proven
reliability



Installation Manual



3M Building and Commercial Services Division
3M™ Wireless Communication System Model XT-1

Installation Manual



Table of Contents

Overview	5
Safety Information	5
Other Conventions.....	6
FCC and Industry Canada Information.....	6
Installation	10
Overview of Installation	10
Required Materials (Not Supplied)	10
Design the Installation	10
Install the Battery Charger.....	13
Install the Order Point Speaker and Microphone Assemblies.....	14
Install the Vehicle Detector(s).....	14
Install the Base Station.....	14
Installing Accessory Boards in the Base Station	25
Power Up	30
Configuration	31
Enter Configuration Mode.....	31
Navigating the Base Station Display	31
Configuring with a Computer	33
Change Basic Volume Settings.....	34
Change the Monitor Volume.....	35
Change the Night Volume	37
Registering Headsets	37
Change Noise Reduction Level.....	39
Set System Date and Time.....	39
Change Global Settings.....	39
Order Taking Modes Setup	44
Change Site Scheduling	44
Change Site Information.....	45
Change Self Monitoring	45
Change Passcodes	46
Two Base Station Setup	46
Installer Setup.....	46
Factory Setup (Restore Factory Defaults).....	48
Create and Load Templates	48
Reboot System	48
Check the Revision Levels	48
Activate the Backup Intercom.....	48
Change the Microphone Preamp Gain.....	48
Installer Access	49
Troubleshooting	51
Headset Indicator Lights.....	51
General Troubleshooting.....	52
Battery and Battery Charger Troubleshooting.....	53
Appendix: Declaration of Conformity	54
Appendix: Base Station Specifications	55
Physical	55
Electrical	55
Functional	55
Appendix: Best Practices	56
PreAmp Setting	56
Volume Control.....	56
Optimizing the Installation	56
Dealing with Delay/Echo.....	57

Appendix: Dual Lane Installation Instructions 59
 Recommended Procedure..... 59
Appendix: 3M™ Acoustic Kit Installation Guide 61
 Installation Guidelines — Separate Housings..... 61
 Installation Guidelines — Single Housing 62
Appendix: Loop and cable condition test 64
Index..... 65

Overview

Safety Information

Safety Rules



Read, understand, and follow all safety information contained in these instructions prior to installation & operation of the 3M™ Wireless Communication System Model XT-1. Failure to follow all instructions listed could result in electrical shock, fire and/or other personal injury. Retain these instructions for future reference.

Intended Use



The 3M™ Wireless Communication System Model XT-1 is intended for use to provide 2-way radio-frequency audio communication in quick service drive-through restaurants and convenience stores.

The system must be installed as specified in the 3M™ Wireless Communication System Model XT-1 Installation Instructions and operated as specified in 3M™ Wireless Communication System Model XT-1 Operating Instructions in quick service drive-through restaurants and convenience stores. It has not been evaluated for other uses or locations.


Signal Words


Explanation of Signal Word Consequences	
 WARNING:	Indicates a potentially hazardous situation, which, if not avoided, could result in death or serious injury and/or property damage.
 CAUTION:	Indicates a potentially hazardous situation, which, if not avoided, may result in minor or moderate injury and/or property damage.
CAUTION:	Indicates a potentially hazardous situation, which, if not avoided, may result in property damage.

Product Safety Labels

Explanation of Product Safety Labels	
	Attention: Read accompanying documentation
	Warning: Risk of Electric Shock

System Warnings

 WARNING
<p>To reduce the risks associated with hazardous voltage:</p> <ul style="list-style-type: none">• Disconnect power to the receptacle before installing or removing the Base Station Power Supply. When removing receptacle cover screw, cover may fall across plug pins or receptacle may become displaced. Use only with duplex receptacle having center screw. Secure unit in place by receptacle cover screw.• If power supply is supplied with a grounding pin, connect directly to a grounding receptacle – 3 prong. <p>To reduce the risks associated fire & property damage:</p> <ul style="list-style-type: none">• Do not open, crush, expose to heat above 200 °F or incinerate the battery.• Always replace batteries, battery chargers and power supplies with 3M approved units acceptable for use in this system to avoid system function & safety concerns.• Do not modify this 3M™ Wireless Communication System Model XT-1. Install only 3M provided components. Use only 3M approved system replacement parts.

 CAUTION
<p>To reduce the risks associated with environmental contamination due to battery pack & to lead in the solder:</p> <ul style="list-style-type: none">• Dispose of batteries, power supplies, battery charger and base station in accordance with federal, state & local requirements. If preferred, return these components to 3M Service Center for disposal.

Other Conventions

Important Notes and Notes

<p>Important Note: It is strongly recommended that you pay attention to information inside of an “Important Note:” box.</p>
--

<p>Note: You may find information inside of a “Note:” box helpful.</p>

FCC and Industry Canada Information

<p>Important Note: <u>FCC RF Exposure Statement</u></p> <p>3M™ Wireless Communication System, Model XT-1 complies with FCC RF radiation exposure limits set forth for an uncontrolled environment. The wireless system must not be co-located or operating in conjunction with any other antenna or transmitter.</p>
--

FCC RF Exposure Statement (cont)

The headset is designed to meet the requirements for exposure to radio waves established by the Federal Communications Commission (USA) in the FCC OET bulletin 65 and Industry Canada RSS 102 standard. These requirements set a SAR limit of 1.6 W/kg averaged over one gram of tissue. The highest SAR value reported under these standards during product certification for use at the right head position is 0.03mW/g.

The XT-1 Base Station complies with FCC RF radiation exposure limits. This equipment should be installed and operated with a minimum distance of 20 cm between the radiator and your body. This includes any external antenna.

For any external antenna that is used with the XT-1 Base Station, the minimum length of RF cable required is 75 feet

The use of accessories not approved by 3M Company, including but not limited to batteries, antennas, wall adapters, chargers, ear gels and foam tips and convertible covers, may cause your headset to malfunction or in the case of unapproved electrical accessories may cause the device to exceed RF energy exposure guidelines.

Note:

This equipment has been tested and found to comply with the limits for a Class A digital device, pursuant to part 15 of the FCC Rules. These limits are designed to provide reasonable protection against harmful interference when the equipment is operated in a commercial environment. This equipment generates, uses, and can radiate radio frequency energy and, if not installed and used in accordance with the instruction manual, may cause harmful interference to radio communications. Operation of this equipment in a residential area is likely to cause harmful interference in which case the user will be required to correct the interference at his own expense.

Note:

CAN ICES-3 A/NMB-3 A

This Class A digital apparatus complies with Canadian ICES-003.

Note:

This Product contains an intentional radiator operating at 2.4GHz.

FCC and IC Identifiers:**Headset:**

FCC ID: DGFBCSDXT1H

IC: 458A-BCSDXT1H

Base Station:

FCCID : DGFBCSDXT1B

IC : 458A-BCSDXT1B

Note:

Modifications to this device shall not be made without the written consent of 3M Company. Unauthorized modifications may void the authority granted under Federal Communication Rules and Industry Canada Rules permitting the operation of this device.

Installation

Overview of Installation

Installation involves the following main steps:

1. Design the installation
2. Install the battery charger and begin charging the batteries.
3. Install the order point speaker and microphone assemblies.
4. Install the base station(s).
5. Install the vehicle detector loop(s).
6. Install accessory boards in the base station(s).

Required Materials (Not Supplied)

- Standard or surface-mount conduit (metal or plastic) to enclose all system wiring.
- Assortment of sheet metal screws and wall anchors
- Sufficient 18 to 20 AWG, (1.02 to 0.81mm diameter) shielded twisted-pair audio cable, sufficient in length to connect the speaker and microphone assembly from the order point to the base station.
- Recommend basic tool kit - screw drivers, pliers, wire strippers, crimping tools, scissors, soldering iron, solder, crimp caps, electrical tape, wire ties, etc

Important Note:

The twisted pair of wires for the microphone connection *must be shielded* for proper operation. In duplex systems, microphone and speaker cannot be in the same jacket unless specially designed for duplex such as 3M™ Cable part number 78-8117-4313-3.

- Sufficient shielded twisted-pairs of audio cable to connect other components such as grill monitor speaker, vehicle detection device, timer display(s), etc.

Design the Installation

There are multiple ways to install the intercom system. Before you begin you must understand how many components you will be installing and where they must be installed. Use the installation checklist (if available) and these instructions to assist you in designing the system.

Determine the Drive Thru Type(s)

Following is a brief description of each drive thru type:

- A *Single Drive Thru* (see Figure 1) is the most common configuration. It is comprised of one lane of traffic with one order point, and one or two drive thru windows for payment and pick up.

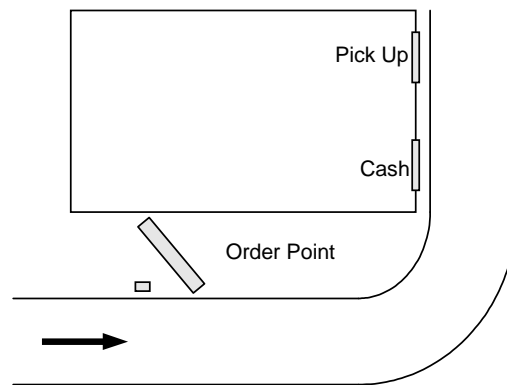


Figure 1

- A *Tandem Drive Thru* (see Figure 2) is comprised of a single lane of traffic with two order points (one in front of the other) and one or two drive thru windows for payment and pick up.

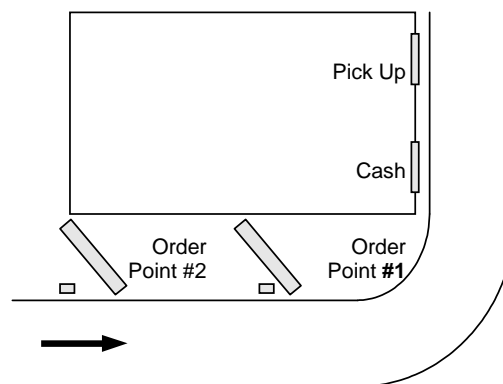


Figure 2

- A *Side-by-Side Drive Thru*, (See Figure 3) also known as a “Y” or “Merge” drive thru, is comprised of two lanes of ordering traffic side-by-side, each with its own ordering point, but merges into a single lane with one or two drive thru windows for payment and pick up.

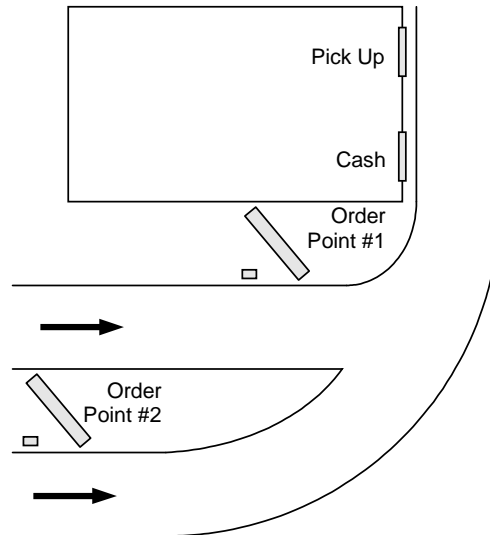


Figure 3

- A *Dual Drive Thru* (see Figure 4) is comprised of two completely separate drive thru systems, each with its own lane, usually on opposite sides of the building, its own order point, and one or two drive thru windows for payment and pick up. The simplest dual drive thru is two single drive thrus, but it is possible to have dual tandem, dual side-by-side, or even a combination of different drive thru types.

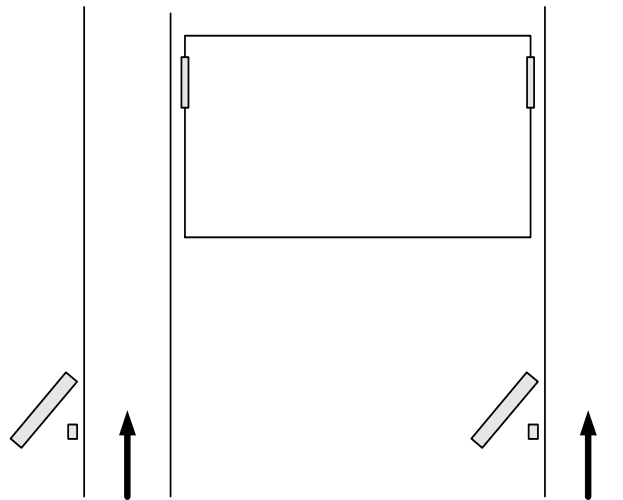


Figure 4

Number and Configuration of Base Stations

Regardless of the drive thru type(s) there must be one base station for each order point:

- Single drive thrus always have one base station.
- Tandem, Two lane, and Side-by-Side (Y-Merge) drive thrus always have two base stations, and they must be wired together as a pair.

Number and Type of Vehicle Detectors

There can be several vehicle detectors for each base station.

- There is always one vehicle detector at the ordering point.
- There is usually a vehicle detector at each drive thru window.
- There are sometimes one or more vehicle detectors at other locations in the parking lot to detect vehicles approaching the restaurant or waiting bay to monitor parked vehicles waiting for an order.

There are two basic types of vehicle detector output signal: presence and pulse.

- Presence detectors are most common. They tell the base station when a vehicle is present over the detector. They remain active as long as the vehicle stays within the range of detection.
- Pulse detectors are less common. They tell the base station when a vehicle has arrived, but have no mechanism to know if or when the vehicle leaves. An air hose is typically used to provide the pulse signal when a vehicle rolls over it.

Install the Battery Charger

Perform the following steps to install and use the 6-slot or 3-slot battery charger (see Figure 5).

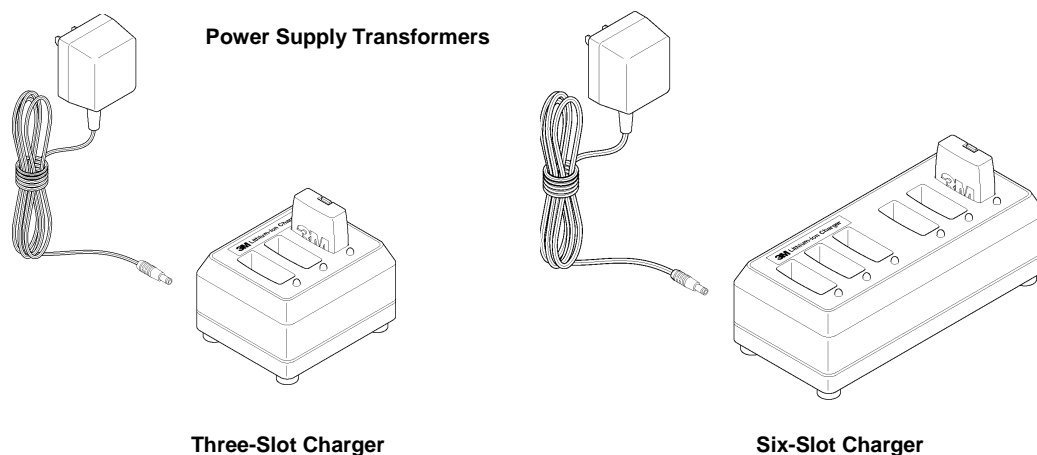


Figure 5

1. Select a placement location:
2. A flat, dry surface such as a desktop or shelf.
3. An easy-to-reach wall location if you have the optional wall-mount bracket.
4. The power cord should be in place where it cannot be pinched or bent.
5. Install the wall-mount bracket on the wall, if applicable.
6. Place the charger on the wall-mount bracket or surface.
7. Connect the power supply transformer between the wall receptacle and the charger. The charge indicator lights will flash.

8. Insert each battery to be charged into a slot on the charger. The charge indicator lights for each slot will light steadily red to indicate that the battery is charging or green to indicate that the battery is fully charged.
9. When charging is complete, the batteries are ready for use.

Notes:

A fully discharged (dead) battery can take as long as 3 ½ hours to recharge. Fully charged batteries should be stored whenever they are not in use. Leaving them on the charger does not harm them or waste energy.

Install the Order Point Speaker and Microphone Assemblies

Use the recommended speaker and microphone systems listed below and follow the included instructions:

- 3M™ Microphone Assembly. Part # 78-6911-4935-1
- 3M™ Speaker Assembly, Duplex, 5 inch. Part # 78-6911-4411-3

For information on wiring the speaker and microphone to the base station, see “Base Station to Component Wiring,” page 19.

Note: Solder and insulate, using heat shrinkable crimp caps, all connections including loop, microphone and speaker.

It is recommended that the microphone and speaker be acoustically separated by treating the speaker post with the 3M Acoustic Kit. For more information refer to “3M™ Acoustic Kit Installation Guide” in the appendix section on page 65

Install the Vehicle Detector(s)

Follow the instructions provided with the vehicle detectors for installing the detector loop(s), speakers, and microphones.

For information on wiring and configuring the vehicle detector(s) to the base station see “Base Station to Component Wiring,” page 19.

For information on installing the vehicle detector circuit boards in the base station, see “Installing Accessory Boards in the Base Station” on page 25

Install the Base Station

Choose a Location

Generally, the base station should be located centrally, and close to the order takers. However there are several important guidelines that must be followed to reduce the risk of problems. Follow the guidelines to ensure that the base station(s) can communicate with headsets in any foreseeable location:

- Do not assume that the location of an old base station is suitable for a new base station.
- The LCD screen should be approximately 5 ft (1.5 m) from the floor.
- The base station should be at least 3 ft (1 m) from large metallic fixtures or appliances.
- The base station should be within 6 ft (2 m) of a 110VAC, 15A or 20A electrical outlet.
- The base station should be placed away from inside corners, airborne grease, and moisture.
- Easily visible and the keypad accessible.

Pre-Testing the Location

Before you permanently mount the base station(s), one person can pre-test the signal using the following procedure:

1. Temporarily mount the base station where you think it may have good range.
2. Power the base station.
3. Register two headsets.
4. Change the order taking mode to Always On.
5. Put on two headsets.
6. Tap the talk button on one of the headsets.
7. Walk around the location, talking as you walk.
 1. *If you can hear yourself in the other headset in all desirable order-taker positions, the base station is in a suitable location.*
 2. *If you cannot hear yourself in the other headset in all desirable order-taker positions, the base station should be move to a different location.*

Important Notes:

To ensure the best operating range for your system, locate the base station where it is not within three feet of or blocked by large steel structures such as doors, walls, or large appliances.

If you plan to use an outside order taker, be sure that the base station's range includes the outside order taker location.

If the best location you find is still unable to communicate to all areas, you may need to install an external antenna.

Removing and Replacing the Cover

To remove the base station cover:

1. Disconnect power from the base station.
2. Loosen the two screws located at the bottom of the cover.
3. Lift the cover upward and away. The display and keypad remain with the base, not with the cover.

To replace the base station cover:

1. Verify there are no obstructions (tools, etc.) in the way of the cover being closed.
2. Align the top edge of the cover with the base.
3. Swing the bottom half of the cover down into place and gently push it against the base until it locks into place. Tighten the two screws located at the bottom of the cover.

Mount the Station

Perform the following procedure to install the base station (See Figure 6).

1. Remove the base station cover:

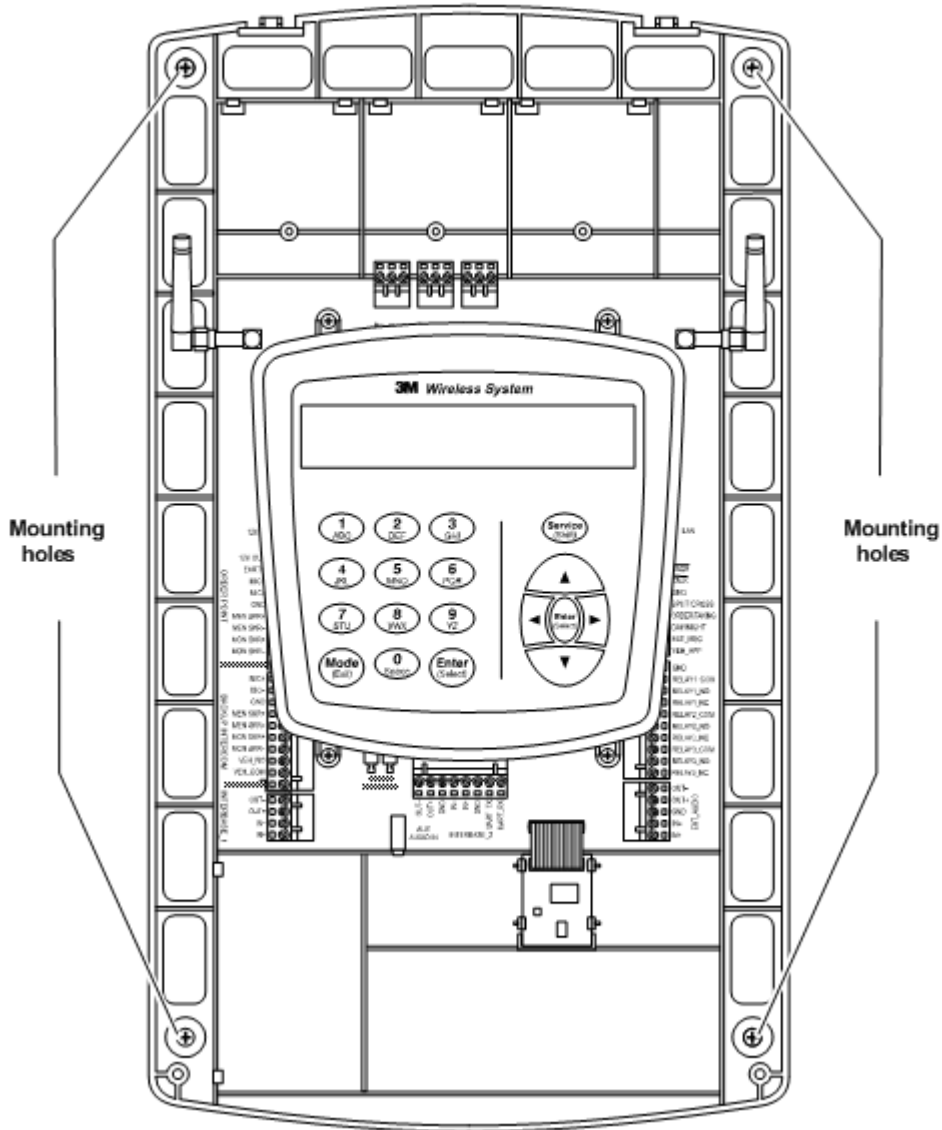


Figure 6

2. Attach the base station to the wall using screws and possibly wall anchors.

Note:

Steps 3 and 7 assume that all of the communication cabling has been prepared and is available at the base station. If not, see “Base Station to Component Wiring,” page 19.

3. Follow local best practices and any applicable regulations to route the cables into the base station cabinet’s top, sides, or back (through the wall) as neatly as possible. Do not route power supply wiring with communication wiring in the same conduit.
4. Attach all cables to their appropriate terminals.
5. Connect the base station transformer between the wall outlet and the base station power supply connection.

Connect the Components

This section provides diagrams and information that should help you to properly wire the system components together.

Note:

In all cases, you must have one base system for each order point (i.e., you cannot run two or more order points from a single base station).

Base Station Wiring Terminal Identification

Figure 7 identifies all of the wiring terminals and their labels. The table that follows provides definitions of the labels and identifies where they should be connected in the system.

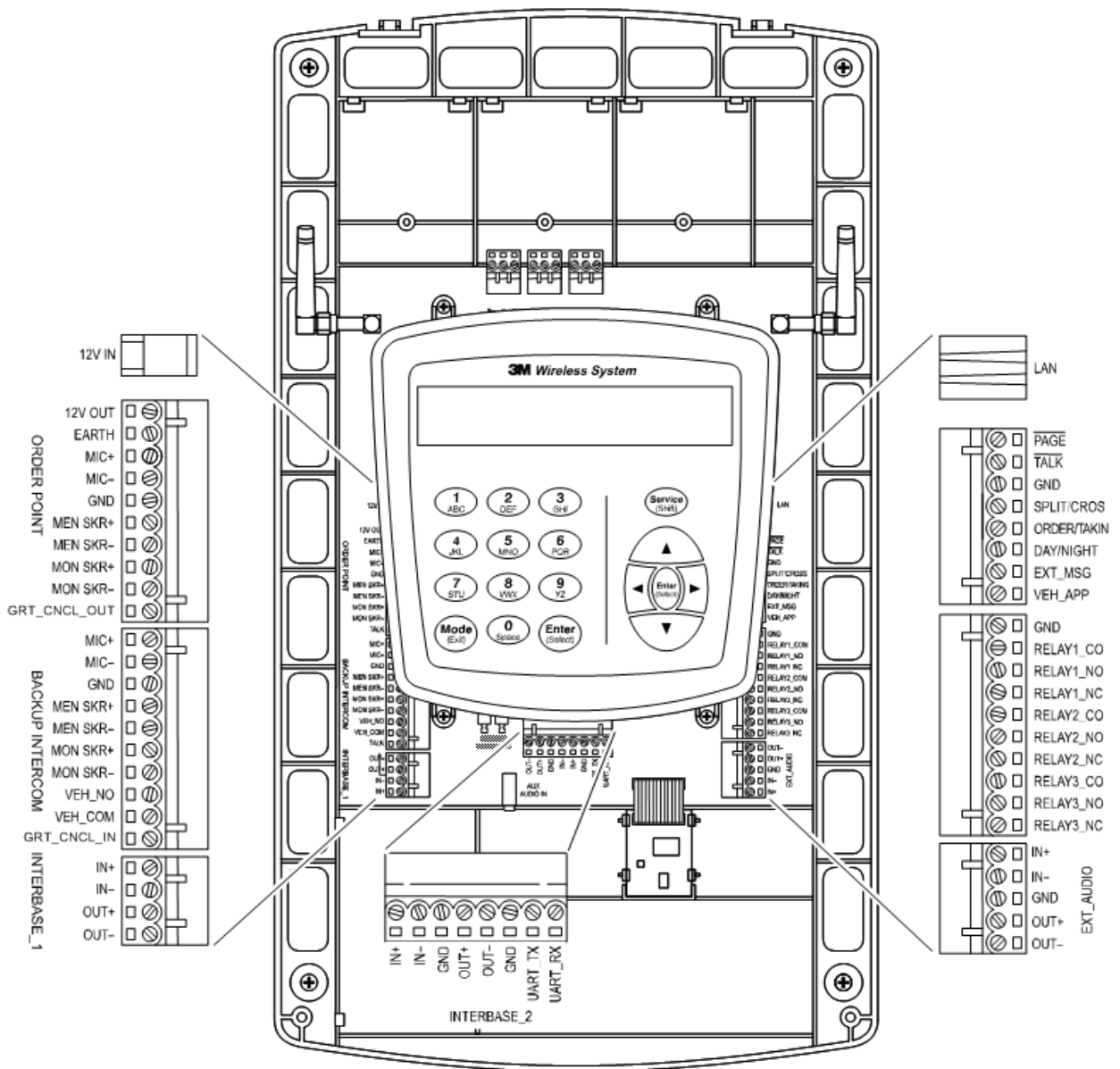


Figure 7

Terminal Label	Definition and Connection Information
12V IN	Incoming power supply from the transformer
ORDER POINT: All of the wires on this terminal block go to the order point or monitor speaker	
12V OUT	12 VDC power supply
EARTH	Earth ground
MIC+	Positive phase microphone wire
MIC-	Negative phase microphone wire
GND	Microphone wire shielding
MEN SPKR+	Positive phase order point speaker
MEN SPKR-	Negative phase order point speaker
MON SKR+	Positive phase grill monitor speaker
MON SKR-	Negative phase grill monitor speaker
GRT_CNL	Active low talk
BACKUP INTERCOM: All of the wires on this terminal block go to the backup intercom	
MIC+	Positive phase microphone
MIC-	Negative phase microphone
GND	Microphone wire shielding
MEN SPKR+	Positive phase order point speaker
MEN SPKR-	Negative phase order point speaker
MON SPKR+	Positive phase of grill monitor speaker
MON SPKR-	Negative phase of grill monitor speaker
VEH_NO	Vehicle detector (normally open)
VEH_COM	If backup intercom includes external vehicle detector module, use this terminal
GRT CNCL IN	If installation includes external greeter module or timer module and backup intercom has an active low GRT_CNL output, use this terminal
INTERBASE_1: All wires on this terminal block go to INTERBASE_1 terminals on the interconnected base station	
IN+	Positive in (connects to positive out on interconnected base station)
IN-	Negative in (connects to negative out on interconnected base station)
OUT+	Positive out (connects to positive in on interconnected base station)
OUT-	negative out (connects to negative in on interconnected base station)
INTERBASE_2: All wires on this terminal block go to INTERBASE_2 terminals on the interconnected base station	
IN+	Positive in (connects to positive out on interconnected base station)
IN-	Negative in (connects to negative out on interconnected base station)
GND	Ground
OUT+	Positive out (connects to positive in on interconnected base station)
OUT-	negative out (connects to negative in on interconnected base station)
GND	Ground
UART_TX	UART (transmit) connects to UART_RX on interconnected base station
UART_RX	UART (receive) connects to UART_TX on interconnected base station

Terminal Label	Definition and Connection Information
LAN	Network connection (crossover cable to PC or patch cable to network)
PAGE	Active low page
TALK	Active low talk
GND	Ground
SPLIT/CROSS	Shorting this pin to GND will switch between Split Lane and Cross Lane modes
ORDER/TAKING	Shorting this pin to GND will move through the order taking modes
DAY/NIGHT	Shorting this pin to GND will switch between day and night modes
EXT_MSG	Shorting this pin to GND will play a selected message (if optional greeter board is installed)
VEH_APP	Active low vehicle approaching
GND	Ground
RELAY1_COM	Relay 1 common
RELAY1_NO	Connect to relay 1 if normally open relay
RELAY1_NC	Connect to relay 1 if normally closed relay
RELAY2_COM	Relay 2 common
RELAY2_NO	Connect to relay 2 if normally open
RELAY2_NC	Connect to relay 2 if normally closed
RELAY3_COM	Relay 3 common
RELAY3_NO	Connect to relay 3 if normally open
RELAY3_NC	Connect to relay 3 if normally closed
EXT_AUDIO: All of the wires on this terminal block go to the external audio device	
IN+	Positive in (connects to positive in on device)
IN-	Negative in (connects to negative out on device)
GND	Ground
OUT+	Positive out (connects to positive in on device)
OUT-	Negative out (connects to negative in on device)

Base Station to Component Wiring

Good Wiring Practices

To reduce interference and improve signal quality, use the following practices for all communication wiring:

- Keep shielding on the cable as close to the terminal as possible.
- Do not untwist pairs more than necessary.
- Do not allow cable strands to fray.
- Do not tin cable leads with solder.
- Fold un-insulated wire over onto itself before inserting into a terminal.
- Make sure screw terminals are tight.

A minimal, typical arrangement of the components is shown in Figure 8:

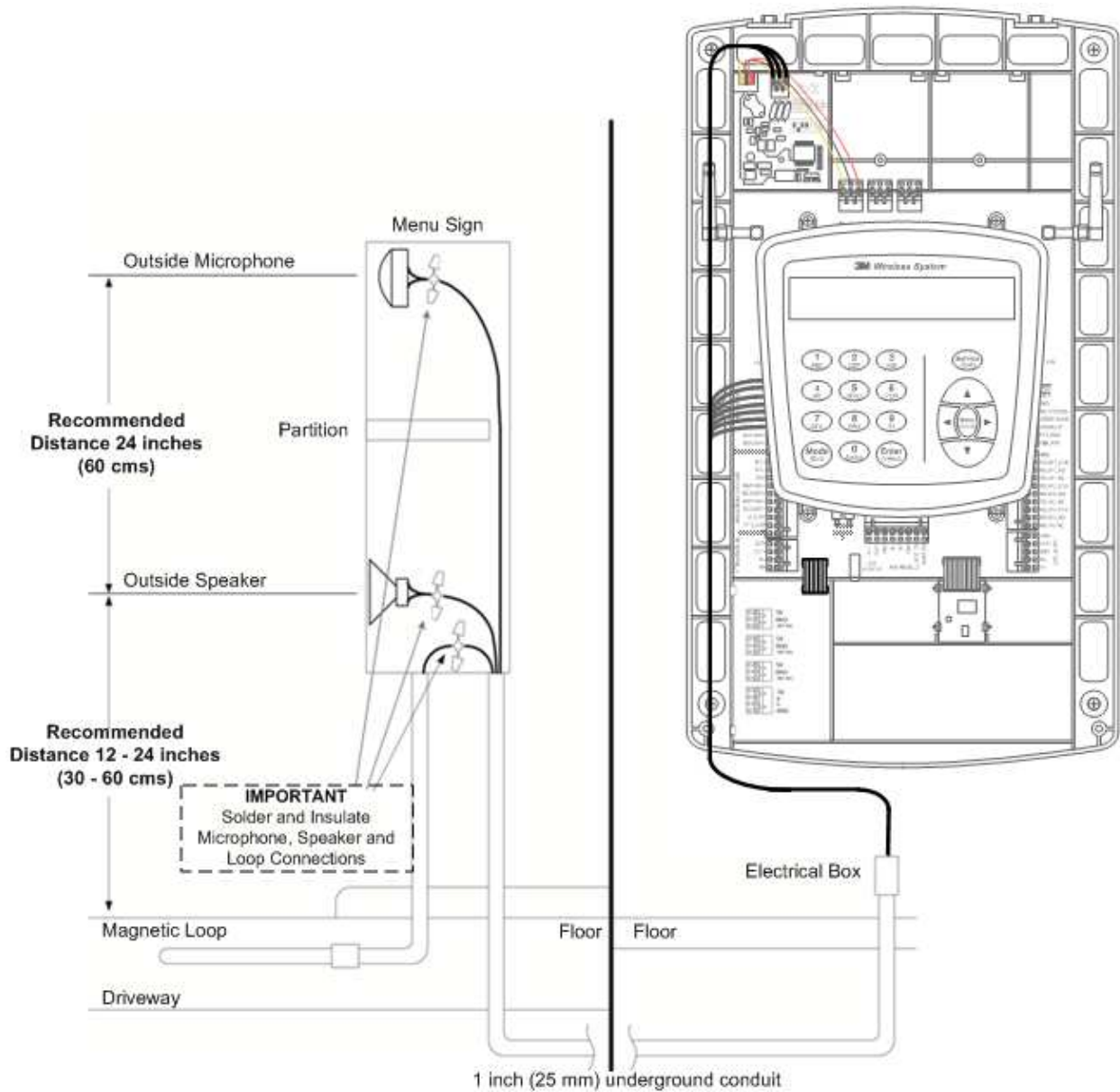


Figure 8

Figure 9 shows the wiring configuration between a base station and the components of a single drive thru. In systems with two base stations, use this wiring diagram for each of the stations, then see “Base Station to Base Station Wiring,” Page 22.

Note:
 Vehicle Detector 1 (VEHDET.1) must always be used for proper base station operation. Vehicle detectors 2 and 3 (or any integral detectors installed with optional modules) can be used at your discretion.

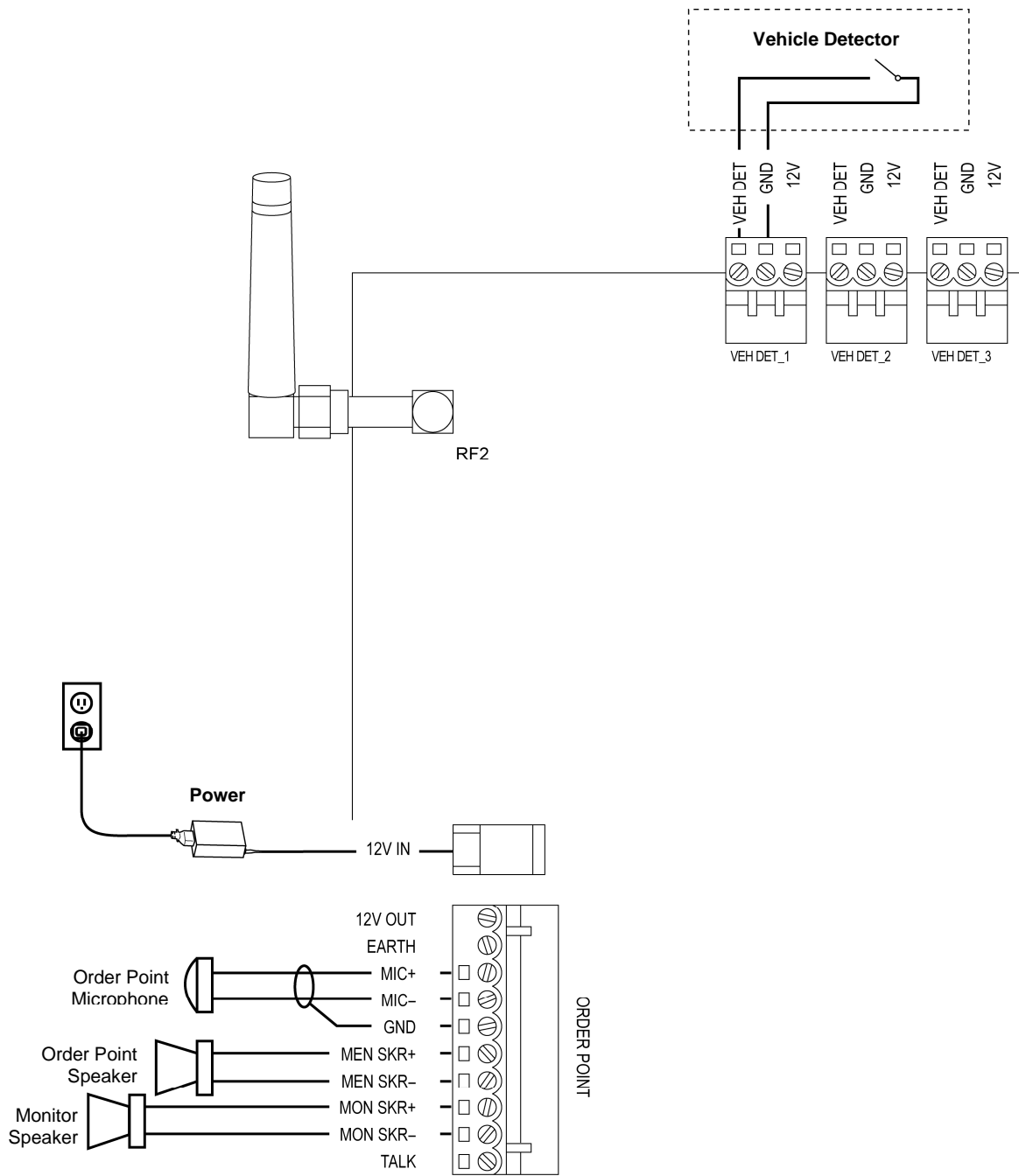


Figure 9

Base Station to Base Station Wiring

In any site with two base stations, the wiring between the two stations should be completed as follows and as shown in Figure 10:

Important Note:

Interconnected base stations must be the same revision level.

- Interbase 1 terminals from base 1 connect to Interbase 1 terminals from base 2.
- Interbase 2 terminals from base 1 connect to Interbase 2 terminals from base 2.
- IN terminals connect to OUT terminals of the same polarity.
- GND terminals connect to GND terminals.
- UART_TX terminals connect to UART_RX terminals.

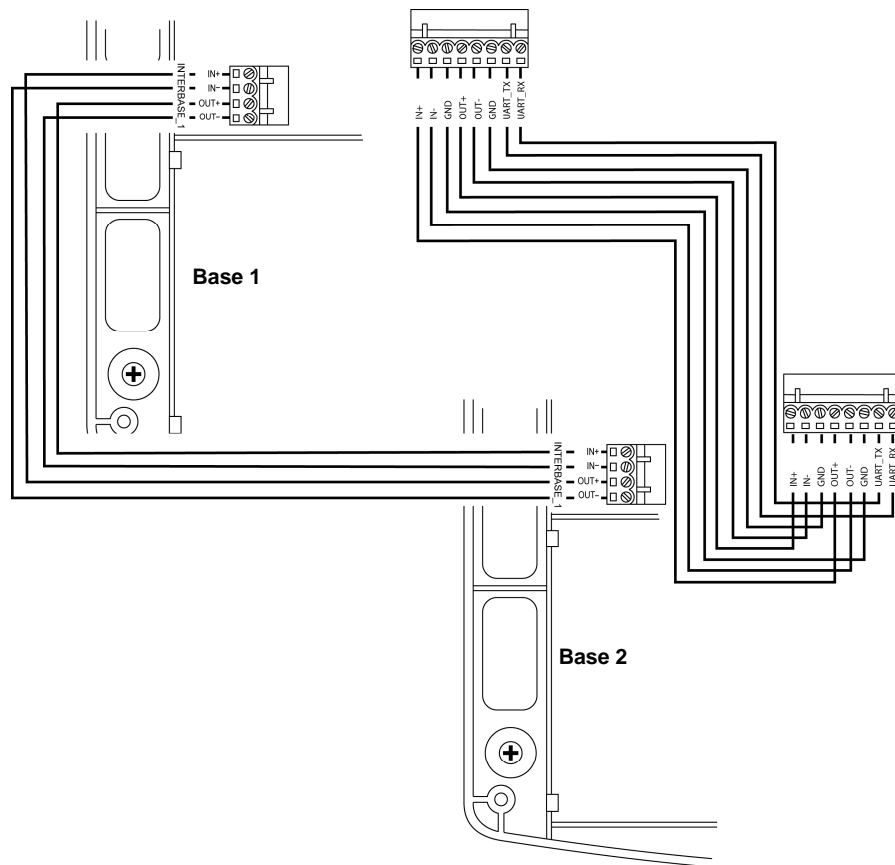


Figure 10

Auxiliary Intercom

An auxiliary intercom is a wired communication system that can be used in the event of base station failure. Figure 11 shows where the connections are made for a 3M™ Wired Intercom Systems Classic Series Model D15. You can use a different brand of intercom system, but the wire color coding will be different, so you will have to determine how to wire the systems together by following the terminal labels.

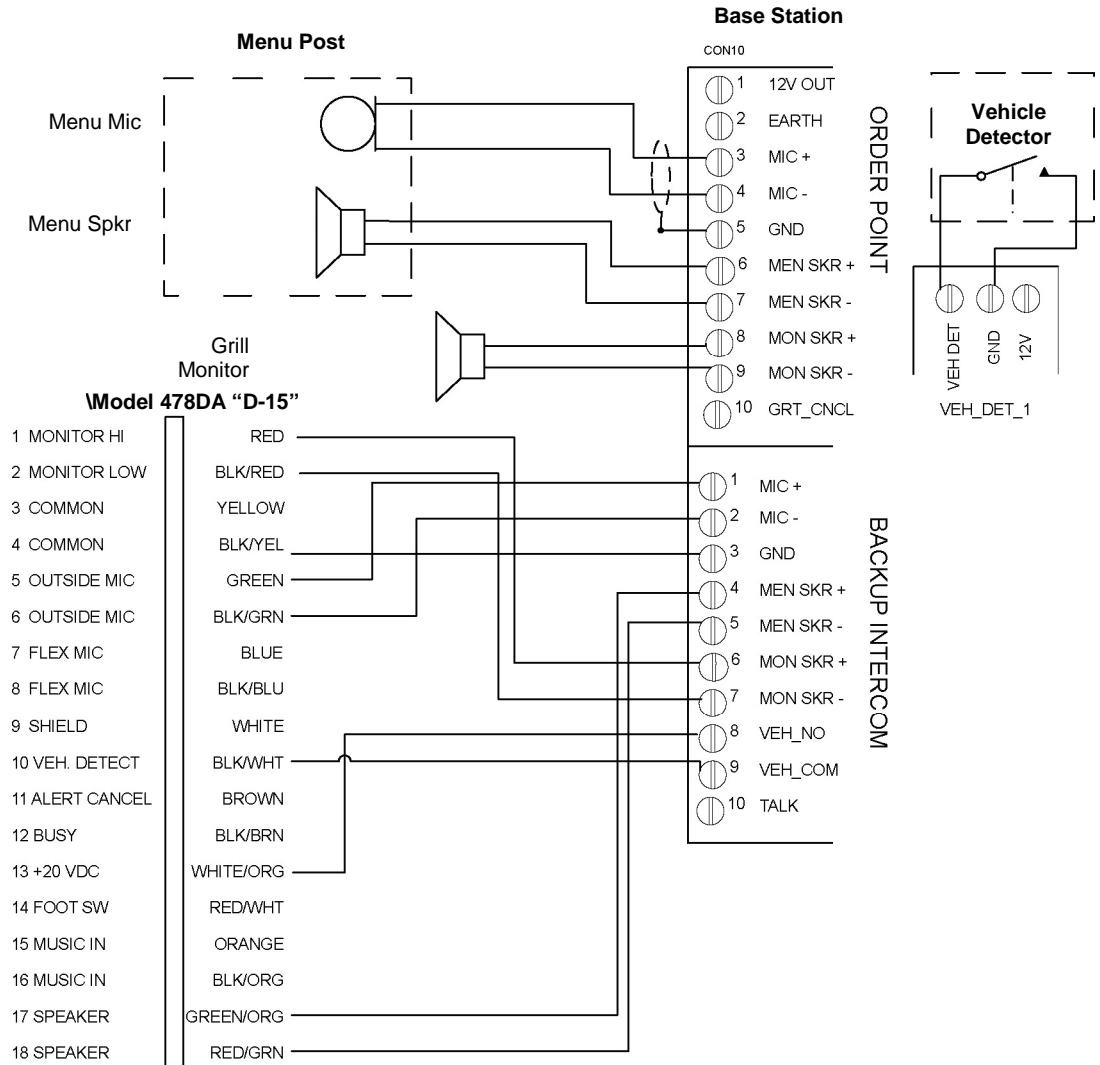


Figure 11

Notes:

The cable coloring is valid for the D15 standard cable. For other cable types use the terminal definitions on page 17 as a guide.

Auxiliary Detector Relays

You can use the base station's vehicle detection circuits to operate an auxiliary relay for a number of convenient uses (typically an external greeter or timer module, but could also be used to operate a vehicle approach chime or other device that is independent of the intercom system). Virtually any device that can be activated by opening or closing a switch can be linked to vehicle detection.

The relay terminals are numbered according to the vehicle detector they are paired with. For example, RELAY1_COM, RELAY1_NO, and RELAY1_NC are paired with Vehicle Detector 1 (VEHDEH.1).

Simple Circuit Example

Figure 12 shows a simple DC circuit (a light and DC power supply) being operated by auxiliary relay 3. To make the light turn on when a vehicle is detected, terminals RELAY3_COM and RELAY3_NO (normally open) would be used. To make the light turn off when a vehicle is detected, terminals RELAY3_COM and RELAY3_NC (normally closed) would be used.

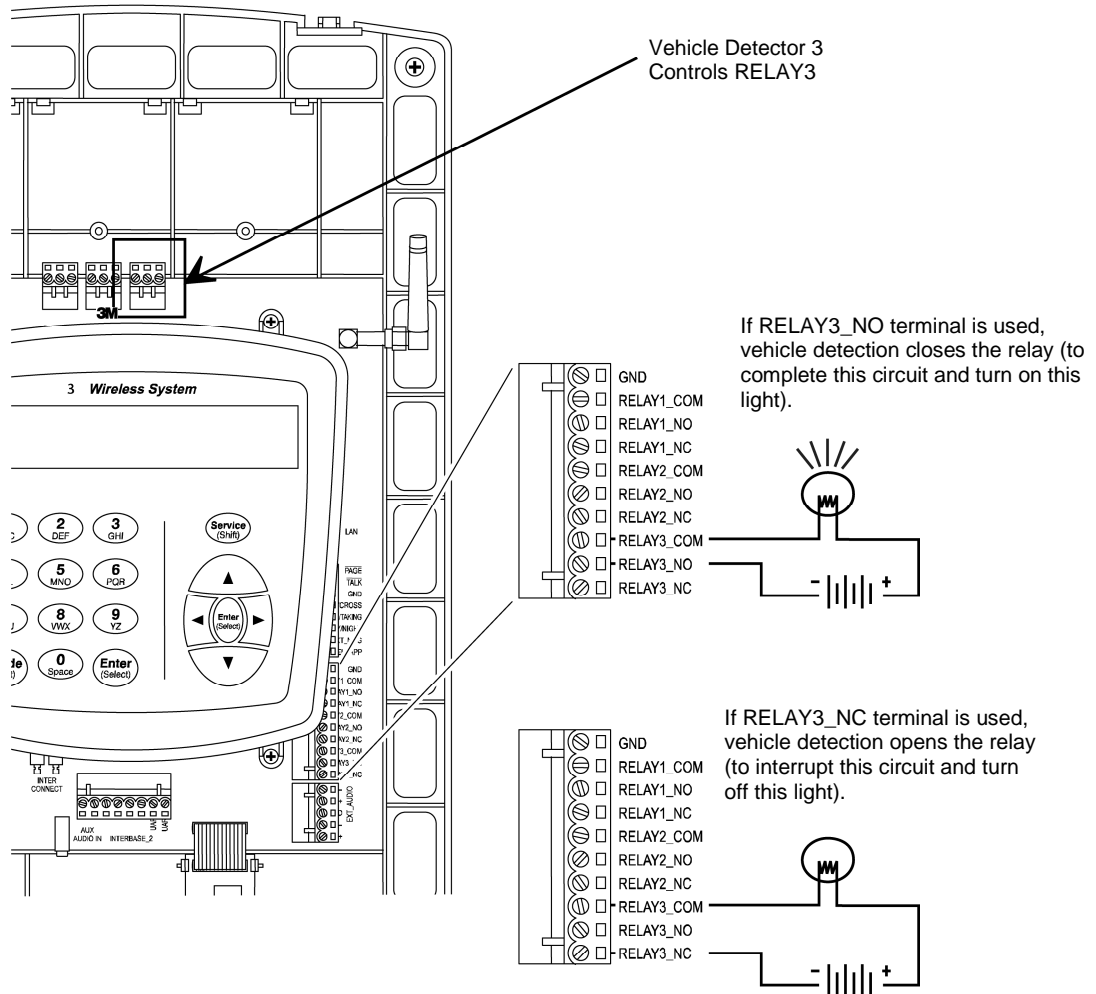
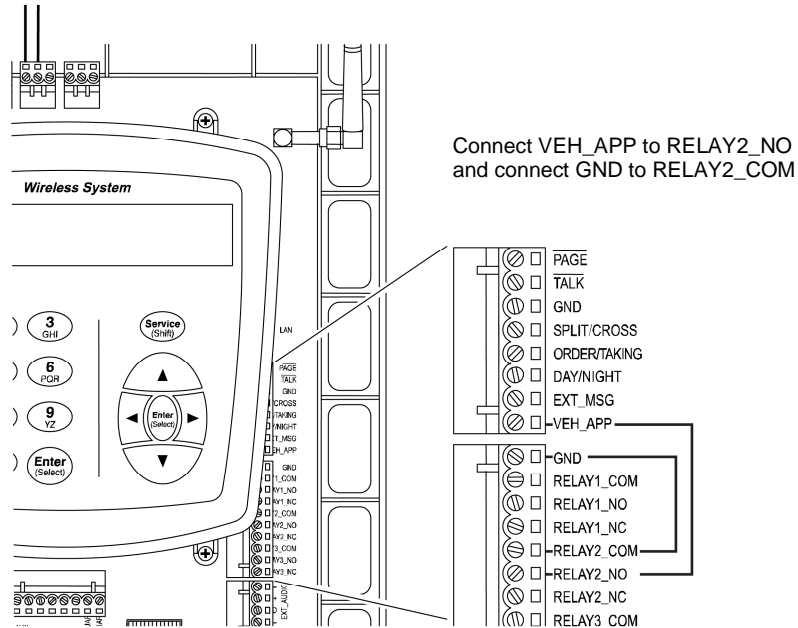


Figure 12

Vehicle Approach Monitor

If one of your vehicle detectors will be used as a vehicle approach monitor, use an auxiliary as shown in Figure 13.

Vehicle approach detector (board or loop) connected at VEH DET.2 terminals



Note:
 The diagram assumes you are using Vehicle Detector 2 (VEHDET.2) for your vehicle approach detector. You can also use Vehicle Detector 3 (VEHDEH.3). To do so, use the corresponding RELAY3_COM and RELAY3_NO terminals.

Figure 13

Installing Accessory Boards in the Base Station

Accessory boards include up to three vehicle detectors, greeter module and timer module. They must be installed into the base station according to the following procedures.

Vehicle Detectors

There are three available installation slots at the top of the base station for vehicle detector boards. Once installed, each detector board must be configured for sensitivity, delay, and pulse/presence detection.

- Sensitivity—there are four available sensitivity settings: low, medium low, medium high, and high. Setting a high sensitivity increases vehicle detection but also increases the likelihood of false detection (e.g., unwanted detection of vehicles not in the drive thru).
- Delay—you can enable a two second delay that waits until a vehicle has been detected for two seconds before the detection alert is triggered. Enabling the delay prevents the detection alert when cars drive over the detector without stopping to order.
- Presence/pulse setting—typical vehicle detectors detect the presence of a vehicle. They remain active for as long as a vehicle is in range of the detector; however, there are some types (e.g., air hoses) that only trigger when a vehicle drives over them with no further feedback to indicate whether the vehicle remains. The fourth dip switch must be set to the type of detector you have.

Perform the following procedure to install and configure a vehicle detector board:

1. Ensure that the base station is unplugged.
2. Remove the base station cover, see page 15.
3. Align the bottom of the vehicle detector board with the installation slot.
4. Slide the top edge of the board between the back of the base station and the two raised tabs.
5. Install and gently tighten the screw.
6. Carefully install the three wires between the vehicle detector board and the base station board (see Figure 14). The left-to-right pin order is the same on both boards: the left pin on one corresponds to the left pin on the other.

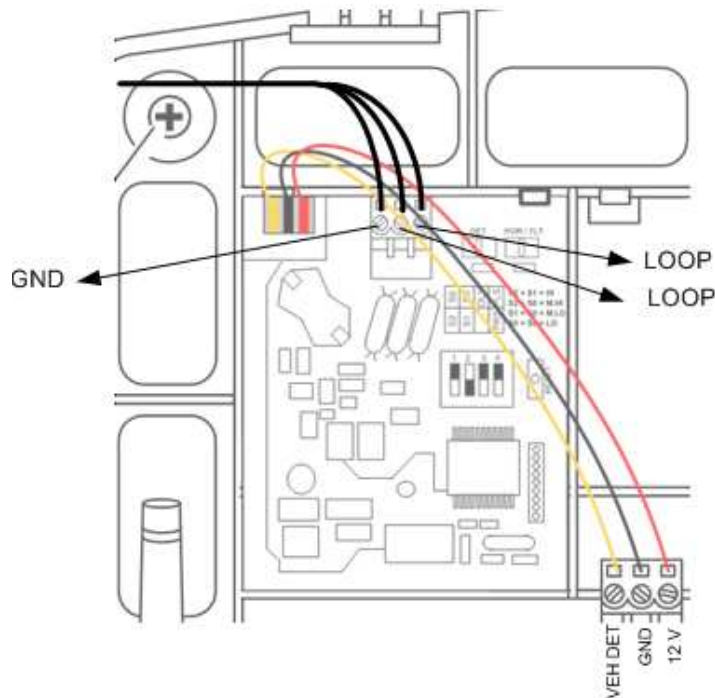


Figure 14

7. Configure the dip switches according to the table on the circuit board and your needs (see Figure 15).
 1. Adjust the sensitivity of vehicle detection by manipulating the top two dip switches.
 2. Enable or disable a two second detection delay by manipulating the third switch.
 3. Choose presence or pulse detection by manipulating the fourth switch.

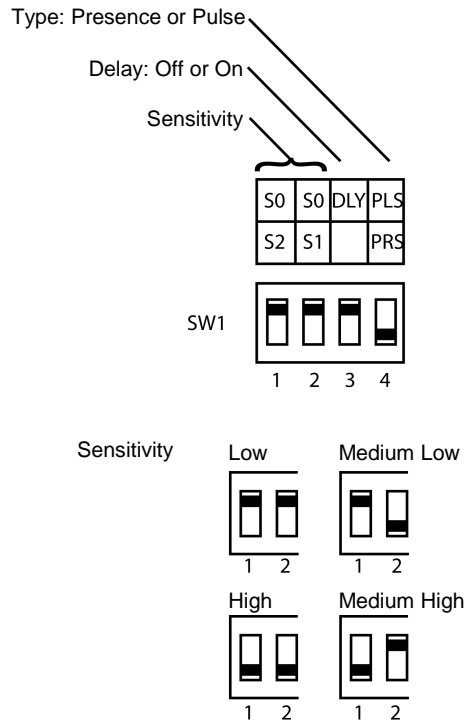


Figure 15

Vehicle Detector LED

There are two small LEDs on the vehicle detector that can be in one of three states when powered and operating:

- Steady green—indicates that power is applied and no vehicle is currently detected.
- Flashing green, single flash every 1.5 seconds—indicates an open loop fault (a wire is disconnected or severed).
- Flashing green, double flash every 1.5 seconds—indicates a shorted loop fault (the loop wires are making unwanted contact at some point before they reach the loop detector).
- Steady red—indicates that power is applied and a vehicle is currently detected.

Note:

The vehicle detector fails closed; therefore if there is a fault, the system assumes that there is a vehicle present.

Greeter Module

There is one space along the bottom right of the base station for the optional greeter module. Perform the following procedure to install it.

4. Ensure that the base station is unplugged.
5. Remove the base station cover, see page 15.
6. Align the top of the greeter module with the installation slots.
7. Slide the sides of the greeter module board between the slots.
8. Carefully install the flat cable between the greeter module board and the base station board. The left-to-right pin order is the same on both boards: the left pin on one corresponds to the left pin on the other.

Greeter Alert Trigger Inputs

The installer can repurpose up to 4 of the existing input terminals on the XT-1 as ALERT Message Trigger Inputs. Each of these 4 existing inputs now has two modes. “Original Mode” maintains the inputs original function. For example, shorting the SPLIT/CROSS input to GND toggles the XT-1 System between SPLIT and CROSS mode for a Dual Lane installation. Assigning an ALERT Message to this input changes the functionality. Now, shorting the SPLIT/CROSS input to GND plays the ALERT Message assigned to that input (such as Back Door Open). The message plays in each headset configured to play the ALERT Message. See Figure 16 for an example.

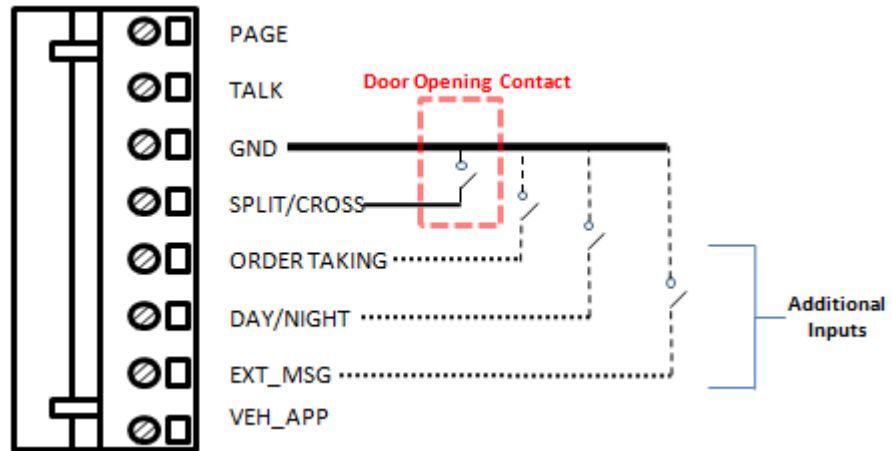


Figure 16

Timer Module

There is one space along the bottom of the base station for the optional timer module. Perform the following procedure to install it.

9. Ensure that the base station is unplugged.
10. Remove the base station cover, see page 15.
11. Align the top of the timer module with the installation slot.
12. Slide the left edge of the timer module board between the back of the base station and the two raised tabs.
13. Install and gently tighten the screw.
14. Carefully install the flat cable between the timer module board and the base station board. The left-to-right pin order is the same on both boards: the left pin on one corresponds to the left pin on the other.

15. Wire the Timer Display to the Timer Module, see page 27.
16. The three vehicle detector inputs at the top of the base station are passed to the Timer Module. Three additional detector inputs are provided on the Timer Module.

Timer Display

The Timer Display is connected to the 3M™ Timer Module and powered from the base station. The connections include:

- Serial communications (RS-485) terminals A and B.
 - Power (12Vdc and Ground)
1. Single Sided or Double Sided Displays - Connect to Order Point terminals on the base station.
 2. Additional displays or cable runs longer than 50 feet - Use an external 3A, 12Vdc Power Supply.
- Reboot or power cycle the system to initialize communications
 - Figure 17 shows the recommended wiring.

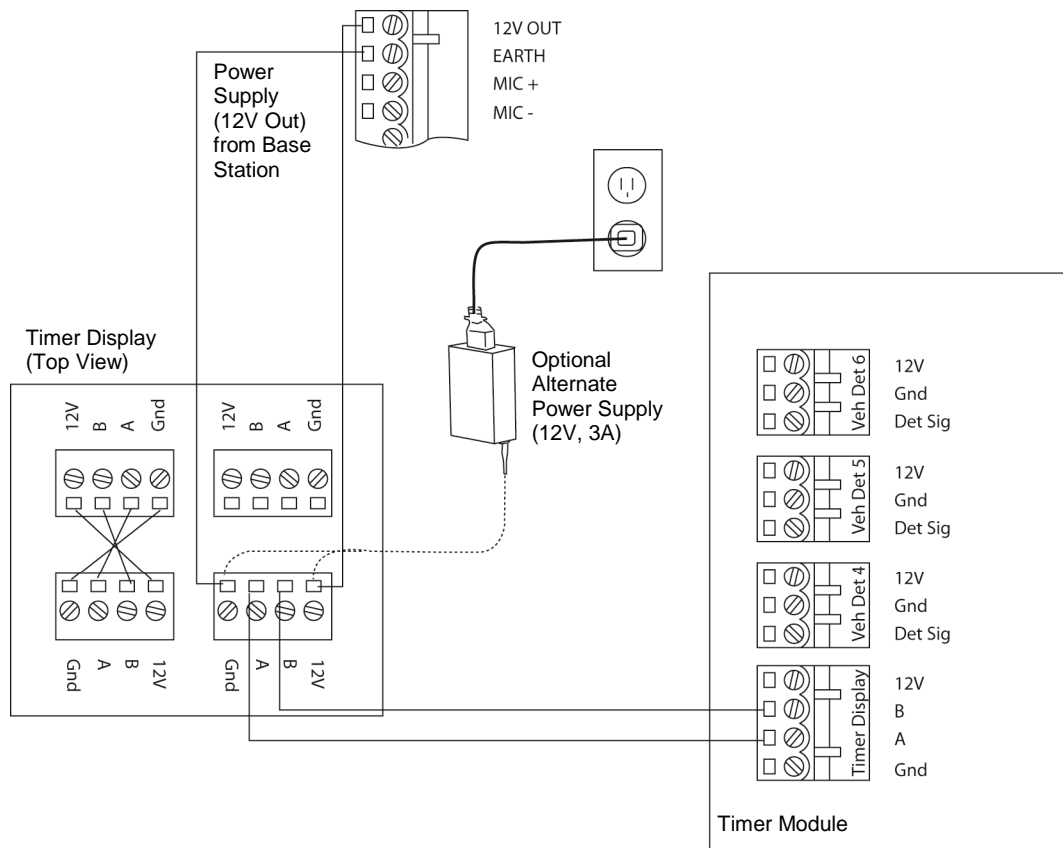


Figure 17

Power Up

After installation is complete, you can power up the system by plugging in the base station transformer.

Run Mode Menu

When the system is powered up and functioning normally, the Run mode menu appears on the display. Figure 18 shows the Run mode menu.

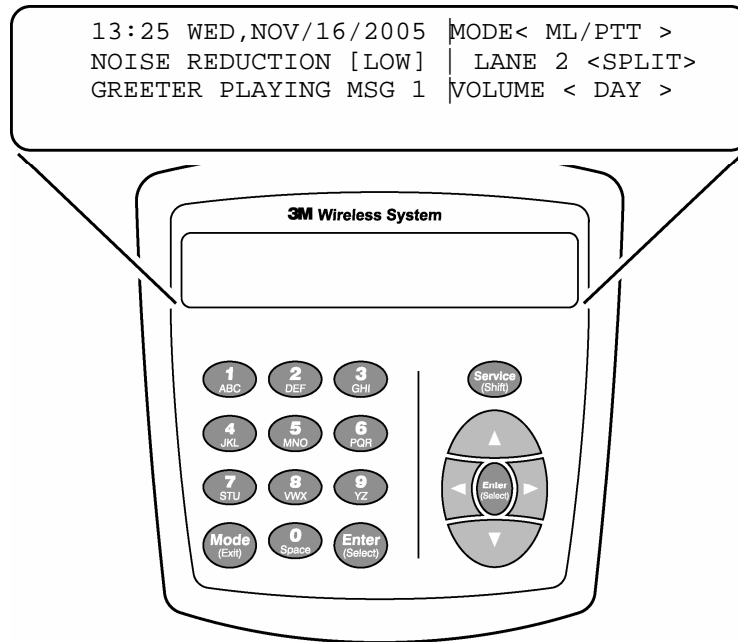


Figure 18

Navigating in the Base Station in Run Mode

To navigate the base station in Run mode you only need to use **Enter**, **Mode**, and the directional arrow buttons: up ▲, down ▼, left ◀, and right ▶. The remaining buttons function only in manager or installer configuration modes.

Configuration

Enter Configuration Mode

Configuration mode is a passcode-protected area that contains most of the configuration options for the base station system. Using the access provided for users it is possible to set up all of the functionality of the system.

To enter the configuration mode:

- From the Run mode menu, press and hold **Mode**.
- While continuing to hold **Mode**, enter your user passcode.
- Release **Mode**. The display will show the user name and ID number (e.g., `User1 ID = 1`)

Notes:

The default user password is 1234.

There are two levels of passcode: installers and users. Using a user's passcode permits you into the entire system menu.

Navigating the Base Station Display

Once you are in the configuration mode, you can use the buttons on the base station display to update all configuration parameters.

Interpreting Display Information

Depending upon what you are doing, or what you can do, text on the display screen is handled according to the following conventions:

`Static or Informational`

Static, informational, or non-editable text has no markings on it.

`<Editable, not selected>`

Editable items that are not currently-selected appear inside of outwardly-pointing pointers.

`>Editable, Selected<`

Editable items that are currently-selected appear inside if inwardly-pointing pointers.

`➔ Editable, in Edit Mode ←`

Editable items that are currently being edited have arrows pointing inwardly.

`[Variable, not Editable]`

Variable items that cannot be edited appear inside of square brackets. In some cases the item is editable, but only from a different location in the menu.

`{ information }`

An on-screen explanation of a key point or reminder appears within curved brackets.

Buttons

Following is a brief description of the buttons on the display and their functions.

<p>Directional arrow (▶◀▼▲) buttons</p>	<p>You can use these buttons to scroll around when navigating the menus. When you are editing information, the up and right arrows scroll “up” (increment) and the down and left arrows scroll “down” (decrement) list of values.</p>
<p>Number/letter (0 – 9) buttons</p>	<p>You can use these buttons to specify exact numbers or letters in fields that permit them. Each time you press button, the result changes to the next available number or letter. For instance, pressing the 7 button three times creates a letter “t” (7-s-t). See Service button below for creating upper-case letters.</p>
<p>Mode (Exit) button</p>	<p>In run mode, you must press and hold Mode while entering your passcode to enter user or installation service.</p> <p>In user and installation service modes, use the Mode button to exit from a current field that you are editing without saving any changes or to go upward (backward) in the configuration menus.</p>
<p>Enter (Select) buttons (both buttons perform the exact same functions)</p>	<p>Use the Enter button to execute the current selection:</p> <p>Pressing Enter on a menu opens the menu and shows you its submenu items.</p> <p>Pressing Enter on an editable field switches you to edit mode so you can change the value in the field using the arrows and number/letter buttons where applicable.</p> <p>Pressing Enter while in edit mode saves the changes you have made and exits edit mode.</p>

Service (Shift) button Use the **Service** button to access upper-case letters or to initiate a service call to 3M or as a confirmation in some items.

Pressing and holding the **Service** button while editing a field that permits alphabet letter entry (e.g., store address) shifts the letter to upper case.

In run mode, press and hold the **Service** button, then enter your passcode to initiate an internet request for help from 3M. A 3M representative will call your store telephone number shortly after you initiate the request. Your base station must be connected to the internet for this function to work. If you press the **Service** button and do not enter a passcode, the base station will go to a Service screen used for installation and troubleshooting.

The directional arrows can be used for scrolling from one menu item to another or to scroll through available choices when editing fields.

Configuring with a Computer

All of the procedures in this chapter assume that you are using the display to configure your base station(s). However, the base station can function as a web server, which means it can be configured using a PC. The web-server functionality is disabled on a new base station, so it must be enabled and configured on site.

To set up web-server functionality:

- Connect the base station:
 - **Peer-to-Peer** – a direct connection between the base station and the PC using a crossover cable
 - **Private network** – a connection between the base station and a router, switch or hub using an Ethernet cable. The PC is somewhere on the same network.
- Enter the configuration mode, see page 31.
- Select **16 Network Setup**.
- Change the values for **IP address**, **subnet mask**, **default gateway**, **E-mail server**, and **Your E-Mail Address Suffix** according to the table below.
- Cycle the power to the base station.
- Enter the configuration mode.
- Select **16 Network Setup**.
- Change the values for **web server enabled** and **email enabled** to **Yes**.
- Cycle the power to the base station.

Setting		If Peer-to-Peer	If Private Network
IP Address	Base Station	192.168.99.2	192.168.0.110 (or another unused address in the same address space as the DHCP address)
	PC	192.168.99.1	DHCP
Subnet mask	Base Station	255.255.255.0	255.255.255.0
	PC	255.255.255.0	No requirement
Default gateway	Base Station	192.168.99.1	192.168.0.1 (or the switch, router, or hub address)
	PC	Leave blank	192.168.0.1 (or the switch, router, or hub address)
E-mail server: 192.28.32.161			
Your E-mail address suffix: mmm.com			

Logging into the Base Station with a PC

Once the base station is connected and configured you can log into it from any other computer on the network and operate the station as you would from the local interface.

To log into the base station:

- Using a web browser, type in the IP address of the base station in the browser’s Address bar, then press **Enter**.
- Type in your user name and password, then press **Enter**.
 - The default user name is “User1”; the default password is “1234”.
 - Do NOT type the space between User and the user number (e.g., type “User5” instead of “User 5”).
 - If the password has been changed, you can log in using the base station to find out what it is (13 Change Passcodes > Change User Passcodes, then look at the current code).

Change Basic Volume Settings

Note:
All volume settings should be adjusted during normal or peak business hours. Adjusting them during slow times will likely produce volume settings that are too low.

Note:
Inbound and outbound are always defined from the perspective of the headset.

Inbound Microphone Volume

Changing the inbound microphone volume affects the sound volume coming from the customer order point microphone.

To turn up or down the inbound microphone:

- Enter the configuration mode, see page 31.
- Select a new value for 01 Drivethru Volume > Inbound Mic Volume. The range is 0 (silent) to 20 (maximum).

Outbound Talk Volume

Changing the outbound talk volume affects the volume of the speaker at the customer order point.

Note:

To avoid feedback, set the outbound talk volume as low as possible.

To change the outbound talk volume:

- Enter the configuration mode, see page 31.
- Select a new value for `01 Drivethru Volume > Outbound Talk Volume`. The range is 0 (silent) to 20 (maximum).

Vehicle Alert Volume

Changing the vehicle alert volume affects the volume of the vehicle alert signal on the headsets.

To change the vehicle alert volume:

- Enter the configuration mode, see page 31.
- Select a new value for `01 Drivethru Volume > Vehicle Alert Volume`. The range is 0 (silent) to 20 (maximum).

Outbound Greeter Message Volume

Changing the outbound greeter message volume affects the sound volume of the custom greeting messages and the system internal greetings (“Store Closed” and “Pull Forward”).

To turn up or down the greeter message volume:

- Enter the configuration mode, see page 31.
- Select a new value for `01 Drivethru Volume > Greeter Message Volume`. The range is 0 (silent) to 20 (maximum).

Change the Monitor Volume

The monitor is an additional speaker that can be used to monitor drive thru communication without a headset, typically in the kitchen. If the monitor has a volume control built into it, you can use it to control the overall volume level of the speaker. To be more specific about which elements you want to control, follow the instructions in the following sections.

Inbound Listen

Changing the inbound listen volume affects how loudly the monitor plays the inbound (customer order point) communication. You can also disable the monitor playing inbound sounds.

To change the inbound listen monitoring settings:

- Enter the configuration mode, see page 31.
- Select `02 Monitor Volume`.
- To enable or disable the monitor playing the inbound sounds, change the value for `Inbound Listen: Enable` to `ON` or `OFF`.
- To change the volume level, select a new value for `Inbound Listen: Volume`. The range is 0 (silent) to 20 (maximum).

Outbound Talk

Changing the outbound talk volume affects how loudly the monitor plays the outbound (order taker) communication. You can also disable the monitor playing outbound talk.

Note:

To avoid feedback and echo, set the outbound talk volume as low as possible.

To change the outbound talk monitoring settings:

- Enter the configuration mode, see page 31.
- Select `02 Monitor Volume`.
- To enable or disable the monitor playing the outbound talk, change the value for `Outbound Talk: Enable` to `ON` or `OFF`.
- To change the volume level, select a new value for `Outbound Talk: Volume`. The range is 0 (silent) to 20 (maximum).

Vehicle Present

Changing the vehicle present volume affects how loudly the monitor plays the vehicle present tone. You can also disable the monitor playing the vehicle present tone.

To change the vehicle present monitoring settings:

- Enter the configuration mode, see page 31.
- Select `02 Monitor Volume`.
- To enable or disable the monitor playing the vehicle present tone, change the value for `Vehicle Present: Enable` to `ON` or `OFF`.
- To change the volume level, select a new value for `Vehicle Present: Volume`. The range is 0 (silent) to 20 (maximum).

Vehicle Approach

Some sites are equipped with a vehicle approach detector, which alerts you when a vehicle enters the parking lot or drive through approach lane. If your site is equipped with the detector, you can change the volume at which the tone is played on the monitor. Also, if you do not wish to hear the tone, you can disable it.

To change the vehicle approach monitoring settings:

- Enter the configuration mode, see page 31.
- Select `02 Monitor Volume`.
- To enable or disable the monitor from playing the vehicle approach tone, change the value for `Vehicle Approach: Enable` to `ON` or `OFF`.
- To change the volume level, select a new value for `Vehicle Approach: Volume`. The range is 0 (silent) to 20 (maximum).

Page Messages

Paging is headset-to-headset communications. Changing the page message volume affects how loudly the monitor plays internal paging messages. You can also disable the monitor playing internal paging messages.

Note:

To avoid feedback and echo, set the volume as low as possible.

To change the page message volume monitoring settings:

- Enter the user service mode, see page 31.
- Select 02 Monitor Volume.
- To enable or disable the monitor playing internal paging messages, change the value for PAGE Messages: Enable to ON or OFF.
- To change the volume level, select a new value for PAGE Messages: Volume. The range is 0 (silent) to 20 (maximum).

Greeter Messages

Changing the greeter message volume affects how loudly the monitor plays the greeter messages. You can also disable the monitor playing the greeter messages.

To change the greeter message volume monitoring settings:

- Enter the configuration mode, see page 31.
- Select 02 Monitor Volume.
- To enable or disable the monitor playing greeter messages, change the value for Greeter Messages: Enable to ON or OFF.
- To change the volume level, select a new value for Greeter Messages: Volume. The range is 0 (silent) to 20 (maximum).

Change the Night Volume

You can assign a standard reduction in the volume level of the customer order point speaker for night hours when lower volume is typically required. With the night volume set, the system automatically adjusts the volume during night hours, then back to normal during the day.

To change the night volume setting:

- Enter the configuration mode, see page 31.
- Select a new value for 03 Night Volume > Reduce DriveThru Volume At Night By. The range is 0 to the current day volume level.

Notes:

Night Volume is never higher than Day Volume.

Night volume reduction is a subtracted value, not the resulting level; therefore, if it is the same as the day volume level, the speaker will turn off at night.

You cannot change the day outbound talk volume on this screen, only the reduction amount identified above.

Registering Headsets

Each headset must be registered to a base station before it can be used. Once registered, it should not need to be registered again unless it is intentionally removed.

Add Headsets

Each headset has a unique identification number. The number is imprinted on the headset and broadcast to the base station whenever it is turned on.

Notes:

One headset should not be registered to more than one active basestation at any given site, whether or not the bases are interconnected.

In dual-lane installations, all headsets are registered to Base #1.

To register a headset:

- Enter the base station configuration mode, see page 31.
- Select `04 Registration > 1 Add New Headsets`.
- Power on the headset when prompted.
- Wait up to two minutes for `{Headset xxxxxxxx Has Been Registered!}` to appear at the bottom of the display.
- Repeat step for additional headsets.
- Press **Mode** when finished.

Remove Headsets

Perform the following steps to un-register a lost, destroyed, or otherwise removed headset from the system, including a headset that is sent back to 3M for repair. The headset would have to be registered again at a later date.

- Enter the base station configuration mode, see page 31.
- Select `04 Registration > 2 Remove Headsets`.
- Scroll to the number of the headset you want to un-register.
- Press **Enter**.

Note:

If you do not know or have access to the number of the headset to be un-registered, identify the headsets that you want to remain in service and un-register any that remain on the list.

List All Headsets

To see a list of the registered headsets:

- Enter the base station configuration mode, see page 31.
- Select `04 Registration > 3 List All Headsets`.

Resetting Inactive Days

For any headset, you can manually reset its number of inactive days to zero (see “Change Self Monitoring” on page 45 for information about the inactive days timer).

To reset the inactive days:

- Enter the base station configuration mode, see page 31.
- Navigate to `08 Headset Setup > Currently Editing Headset`.
- Press **◀** or **▶** if necessary to scroll to the headset ID number for the headset you want to reset.
- Select `<CLEAR>`.

Checking Headset Software Revision

To check the software revision number for a headset:

- Enter the base station configuration mode, see page 31.
- Navigate to `08 Headset Setup > Currently Editing Headset`.

- Press ◀ or ▶ if necessary to scroll through the headsets. The software version appears below the headset ID number.

Change Noise Reduction Level

There are several ways to improve the sound quality at the headset using the following settings.

Inbound Microphone Noise Reduction Level

The inbound microphone noise reduction level setting reduces background noise to make it easier to hear speech at the customer order point.

Perform the following steps to increase or decrease the noise reduction level.

- Enter the base station configuration mode, see page 31.
- Make a new selection for 05 Noise Reduction > Inbound Mic Noise Reduction Level. Options are Off, Min, Low, Med, Hi, and Max. You may need to experiment for a setting that works best for your ambient noise environment.

Acoustic Echo Canceller

Perform the following procedure if there is a delayed repetition (echo) of the outbound sound:

- Enter the base station configuration mode, see page 31.
- Make a new selection for 05 Noise Reduction > Acoustic Echo Canceller. Options are Min, Low, Med, and Max. You may need to experiment for a setting that works best for your ambient noise environment and staff.

Set System Date and Time

Perform the following procedure to set the system time and date.

- Enter the base station configuration mode, see page 31.
- Change the date and time values for 06 Set Time & Date in the Time and Date fields as required. Use the arrows to scroll from one field to the next and type new values over the existing data in the formats shown in parentheses:
 - HH = Hours (01 to 24, e.g., 6:00 pm is 18)
 - MM = Minutes (01 to 60)
 - SS = Seconds (01 to 60)
 - MMM = Month (Jan, Feb, Mar, Apr, May, Jun, Jul, Aug, Sep, Oct, Nov, or Dec)
 - DD = day (01 to 31)
 - Year = Last two digits of the year (00 to 99, 20 is fixed and cannot be changed)

Change Global Settings

Global settings are an assortment of options that you must choose based upon the basic configuration of your system.

Text and Audio Prompts Language

You can choose between English, Spanish, German, and French language for all text and audio prompts, which is essentially all of the factory prerecorded information coming from the base station and all of the printed text on the display.

Note:

Changing the text and audio prompt language will also change the language of the headset messages.

Perform the following procedure to change the text and audio prompts:

- Enter the base station configuration mode, see page 31.
- Change the value for 07 Global Settings > Text & Audio Prompts Language to English, Español, Deutsch, or Français.

Drive Thru Audio Duplex Mode

The system can function using half duplex or full duplex modes. Choosing between the two modes is based upon the desired operation.

Note:

In half duplex installations, all latching order taking modes and hands free mode are disabled.

Perform the following procedure to change the drive through audio mode:

- Enter the base station configuration mode, see page 31.
- Change the value for 07 Global Settings > DriveThru Audio Duplex Mode to Full or Half.
 - In *half-duplex* systems, when the order taker is speaking, it is impossible to hear any speech coming from the customer order point.
 - In *full-duplex* systems, the order taker can speak and hear speech coming from the customer order point at the same time.

Page Channel Heard by Order Taker

You can enable or disable the order taker from being able to hear any paging while speaking to a customer over the customer order point. This may prevent interference with the order taking process.

Perform the following procedure to enable or disable the order taker hearing pages while talking:

- Enter the base station configuration mode, see page 31.
- Select 07 Global Settings.
- To enable or disable the monitor playing the outbound talk, change the value for PAGE Channel Heard by Order Taker: to NO or YES.

Number of Base Stations at this Site

When there are two base stations used together (tandem, dual, or side-by-side drive thrus) they must be configured to work together.

Perform the following procedure to enable the two stations to work together:

On the base first station:

- Enter the base station configuration mode, see page 31.
- Change the value for 07 Global Settings > Number of Base Stations at This Site to 2.
- Press **Enter** to implement the change.
- On the first base station, stations, change the value for 07 Global Settings > Lane Number of This Base Station to 1.

On the second base station:

- Enter the base station configuration mode, see page 31.
- Change the value for 07 Global Settings > Number of Base Stations at This Site to 2.
- Press **Enter** to implement the change.
- On the second base station, stations, change the value for 07 Global Settings > Lane Number of This Base Station to 2.

Store is Now Closed Prompt

Perform the following procedure to enable or disable the automatic store closed prompt to let customers know in your absence that the store is closed:

Note:

Make sure that you disable the automatic store closed prompt in stores that are open 24 hours.

- I. Enter the base station configuration mode, see page 31.
 - Change the value for 07 Global Settings > "Store is Now Closed" Prompt? to Yes or No.

Pull Ahead Prompt

You can let customers know to pull ahead when they are at order point #2 in a tandem drive thru when it is out-of-service.

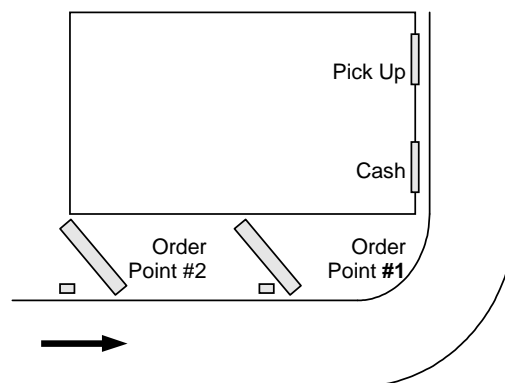


Figure 19

Perform the following procedure on Base #2 to enable or disable the automatic pull ahead for Order Point #2:

- Enter the base station user service mode, see page 31.
- Change the value for 07 Global Settings > "Pull Ahead" Prompt (Tandem Only)? to Yes or No.

Customer Order Point Prompt Language

Perform the following procedure to select the language(s) of the store closed and pull ahead prompts. The prompts can be spoken in English, Spanish, French, German, or repeated in multiple languages:

- Enter the base station configuration mode, see page 31.
- Change the value for 07 Global Settings > Order Point Prompts in English? to Yes or No.
- Press **Enter** to implement the change or press **Mode** to abandon the change and leave the option at its previous setting.
- Change the value for 07 Global Settings > Order Point Prompts in Spanish? to Yes or No.
- Press **Enter** to implement the change or press **Mode** to abandon the change and leave the option at its previous setting.
- Change the value for 07 Global Settings > Order Point Prompts in French? to Yes or No.
- Press **Enter** to implement the change or press **Mode** to abandon the change and leave the option at its previous setting.
- Change the value for 07 Global Settings > Order Point Prompts in German? to Yes or No.

Order Point TALK with No Vehicle

Perform the following procedure to permit or prevent the order taker to talk to the order point when no vehicle is detected.

- Enter the base station user service mode, see page 31.
- Change the value for 07 Global Settings > Order Point TALK With No Vehicle? to Yes or No.

Order Takers and Page Messages in Cross Lane Mode

In systems with two customer order points, in cross lane mode, you must specify the number of order takers you will be using to make sure that non-order takers can hear orders being taken on one or both lanes. Similarly, you must specify whether you want page messages to be heard by all headsets or only within each lane.

Perform the following procedure to specify the number of order takers in cross lane mode.

- Enter the base station configuration mode, see page 31.
- Change the value for 07 Global Settings > Order Takers in CROSS Lane Mode? to 1 or 2.
 - If you select 1, non-order takers will hear the orders from lanes 1 and 2.
 - If you select 2, non-order takers will hear only the orders on the lane for which the headset is configured.

Perform the following procedure to enable or disable paging to be heard by operators on both lanes.

- Enter the base station configuration mode, see page 31.
- Change the value for 07 Global Settings > PAGE Messages Can Cross Lanes? to YES or NO.

Detector Type

Because there are two basic types of vehicle detector, pulse and presence, you must specify which type you have in the base station.

- Enter the base station configuration mode, see page 31.
- Change the value for 07 Global Settings > Vehicle Detector#1 to Presence or Pulse.

Note:

Vehicle detector#1 is always the order point.

- For presence type detectors, specify a value for Vehicle Detector #X Minimum (Seconds). Setting a higher number will increase the customer's wait time, but decrease false detections that could be caused by cars driving over the detector without stopping.

Notes:

When the pulse setting is used, each call must be ended by pressing the page button on the headset.

If you are using a vehicle detector board, the presence or pulse setting should match the dip switch setting on the board.

If the vehicle detector is set to delay (via its own dip switches) and you set a delay in the base station, the delays are additive: you could end up with a longer than expected total delay.

Kitchen Noise Reduction

Activating this option reduces the amount of background kitchen noise picked up by the order takers headset microphone and transmitted to the order point speaker.

Perform the following procedure to enable or disable Kitchen Noise Reduction.

- Enter the base station configuration mode, see page 31.
- Change the value for 07 Global Settings > Kitchen Noise Reduction to DYNAMIC or OFF.

Important Notes:

By default, the Kitchen Noise Reduction is set to DYNAMIC.

For this feature to function, all "signed-on" headsets must be of version 5.11 or later.

If even one headset of an older version signs on, the:

feature will automatically be disabled despite it's value remaining set as DYNAMIC
base station emits 3 audible chirps and

Run Screen will display a message

"Headset <XXXXXXX> allows kitchen noise".

In the event the Kitchen Noise Reduction feature has been disabled due to a headset with an older version of software having signed on, use the base station's menu to identify and remove the offending headset(s) before restarting the base station, in order to restore the feature.

1. Identify the serial number(s) of the headset or headsets that have a software version other than v5.11
 - Enter the base station configuration mode, see page 31.
 - Navigate to `08 Headset Setup > Currently Editing Headset`.
 - Press `◀` or `▶` if necessary to scroll through the headsets. The software version appears below the headset ID number.

2. Unregister the headset(s) identified above by performing the following steps
 - Enter the base station configuration mode, see page 31.
 - Select `04 Registration > 2 Remove Headsets`.
 - Scroll to the number of the headset you want to un-register.
 - Press **Enter**.

3. Rebooting the base station will now restore the Kitchen Noise Reduction feature.

Order Taking Modes Setup

Perform the following procedure to enable or disable some of the seven different order taking modes from appearing on the Run Menu:

- Enter the base station configuration mode, see page 31.
- Navigate to `09 O.T. Modes Setup`.
- Change the value for each of the following options to **Yes** or **No**:
 - `Manual Listen/Push To Talk`
 - `Manual Listen/Manual Latching Talk`
 - `Auto Listen/Push To Talk`
 - `Auto Listen/Manual Latching Talk`
 - `Hands Free`
 - `Outside`
 - `Always On (Bypass Vehicle Detector)`
(Press `▲` or `▼` to scroll up and down the list)

Notes:

Order taking modes are described in the Operation section.

3M recommends you do not set up more than three order taking modes.

Change Site Scheduling

The site schedule is the calendar of store open and closing times.

Note:

All timekeeping is done using a 24 hour clock (e.g., 6:00 p.m. appears as 18:00).

Regular Site Schedule

The regular site schedule is the opening and closing times for each day of the week and the times assigned as “Day” and “Night,” which determine when the day and night volume settings change.

Perform the following procedure to set the regular site schedule:

- Enter the base station configuration mode, see page 31.
- Navigate to **10 Site Scheduling** > **Regular Site Schedule**.
- Change the value for each day of the week and each of the four defined fields (**Open**, **Day**, **Night**, and **Close**).
(Press ▲, ▼, ◀, and ▶ to scroll up and down the list).

Note:

The greeter will not play messages while the store is closed, except for the (built-in or custom) store closed message.

Holiday/Exception Schedule

The holiday/exception schedule can be used to identify up to 12 days in the year on which the store schedule is different than it would have been otherwise. The holiday/exception schedule should be updated at least once a year to ensure it conforms to the current year’s calendar.

Perform the following procedure to set the holiday/exception schedule:

- Enter the base station configuration mode, see page 31.
- Navigate to **10 Site Scheduling** > **Holiday/Exception Schedule**.
- For each day that needs a non-typical schedule, enter the three-letter month and two digit date under **Date**, then change the open and close times on the line to the right of the date.
(Press ▲, ▼, ◀, and ▶ to scroll through the fields.)

Change Site Information

Site information is useful for warranty registration and to support service calls. This information is most useful when the system has an internet connection. Tech Services can use it to identify and contact the store when it receives a service request. All information is entered free-format using the numeric keypad. To type upper case letters, use the Shift key.

Perform the following procedure to change the site information:

- Enter the base station configuration mode, see page 31.
- Navigate to **11 Site Information**.
- For each field that needs to be modified, enter the appropriate data.
(Press ▲, ▼, ◀, and ▶ to scroll through the fields.)

Change Self Monitoring

Self-monitoring is a function available for all systems where the base station is continuously connected to a store Ethernet connection. The base station keeps track of all of the headsets in the system, looking for periods of extended non-use that may indicate a headset problem that needs attention.

Perform the following procedure to enable and configure self monitoring:

- Enter the configuration mode, see page 31.
- Select **12 Self Monitoring**.

- To enable or disable self monitoring, change the value for **Self Monitoring Enabled?** to **Yes** or **No**.
- If self monitoring is enabled:
 - Select a value for **Number of Inactive Days Allowed**. The range is 7 to 255. The number represents how many days of inactivity must pass for any given headset before the system interprets the absence as a problem and forwards the information to 3M.
 - Select a value for **Resend Error Reports**. Your choices are **Never**, **Every Day**, **Every Week**, or **Every Month**. This is the frequency that the base station will attempt to resend the error message until the error condition is corrected.

Change Passcodes

User and installer passcodes can be individualized for better security control against unauthorized changes. The system has a default user and a default installer passcode pre-installed. Check your documentation for those passcodes.

User Passcodes

If you enter a user passcode, you have full access to the Change User Passcodes menu. You can change or delete any passcode.

Perform the following procedure to set up and/or change user passcodes:

- Enter the configuration mode, see page 31.
- Select **13 Change Passcodes > Change User Passcodes**.
- Identify the user number you want to change, then press **▲**, **▼**, **◀**, and **▶** as necessary to scroll to the desired passcode.
- Enter a new four-digit passcode in place of the old passcode.
- Press **Enter** to implement the change or press **Mode** to abandon the change and leave the passcode at its previous setting.

Two Base Station Setup

In any installation where there are two base stations (tandem, side-by-side, or dual drive thrus), register all headsets to Base Station #1. This ensures that changes to split and cross lane mode and the order taking mode are synchronized between the two base stations. The difference between split lane and cross lane modes in this situation is:

- Split lane mode is intended for a drive thru with two order takers. Each order taker hears beeps only for the lane for which the headset is configured: beeps from the other lane will not be heard.
- Cross lane mode is intended for a drive thru with one order taker who will hear beeps for both lanes on one headset. You can configure the system to permit non-order takers to hear orders and pages from one or both sides. See “Order Takers and Page Messages in Cross Lane Mode,” page 42.

Installer Setup

Installer setup is a special group of setup options typically only used by the installer or in case of complete system restoration or backup.

Load Installation Settings

Installation settings are a complete set of configuration data that the installer can save after the initial installation configuration is completed. It is essentially a backup save point in case configuration settings are inadvertently changed in ways that are not easy to identify or correct.

To load the installation settings:

Important Note:

By performing this procedure you will be erasing the current configuration and reloading the configuration that was last saved, likely when the system was first installed.

- Enter the configuration mode, see page 31.
- Select 14 Installer Setup.
- Change the value for Load Installation Settings to Yes.

Save Installation Settings

Note:

This function is only available to installers.

Perform the following procedure to save the current configuration into permanent memory over the existing installation settings.

Important Note:

By performing this procedure you will be erasing the existing saved installation settings, making it impossible to revert to the settings that were saved after installation.

- Enter the configuration mode, see page 31.
- Select 14 Installer Setup.
- Change the value for Save Installation Settings to Yes.

Technical Service Message

Perform the following procedure to customize the Service Screen message.

- Enter the configuration mode, see page 31.
- Select 14 Installer Setup.
- Change the value for Use Custom Tech Service Message? to Yes or No.
- If you chose Yes, enter the customer message.

Reset Timer Database

Perform the following procedure to Reset the Timer module database.

- Enter the configuration mode, see page 31.
- Select 14 Installer Setup.
- Change the value for RESET Timer Database to Yes.

Note:

Resetting the Timer module Database will clear ALL vehicle timing data.

Factory Setup (Restore Factory Defaults)

Perform the following procedure to restore all of the configuration settings to the factory default settings. This procedure should be performed only if the current configuration and the saved installation settings are unusable.

Important Note:

By performing this procedure you will reset the system to the initial configuration, making it impossible to revert to the settings that were saved after installation.

- Enter the configuration mode, see page 31.
- Select **15 Factory Setup**.
- Change the value of **Restore All Factory Settings** to **Yes**.

Create and Load Templates

You can save an entire base station configuration as a file on a PC and use the file as a template for other base stations. You must be using a PC to use templates.

Reboot System

Perform the following procedure to cleanly power down, then power up without unplugging the system:

- Enter the configuration mode, see page 31.
- Select **17 Reboot System**.
- Change the value of **Power Cycle Complete System** to **Yes**.
- Press **Service**.

Check the Revision Levels

Perform the following procedure to view the revision levels and serial numbers of your base station:

- Enter the configuration mode, see page 31.
- Select **18 Revision Levels**.

Activate the Backup Intercom

Many systems include a wired backup intercom system that can be used if the main wireless system cannot be used. If your system has a backup intercom system, perform the following steps to activate it:

- Remove the base station cover.
- Press and latch the two switches named “BACKUP INTERCOM.”

Change the Microphone Preamp Gain

The Mic Preamp Gain is the first stage of amplification from the microphone in the order point. In order to optimize the base station to a specific site this level must be precisely set.

To change the microphone preamp gain:

- Lookup the microphone’s output level at 1kHz sensitivity (see the microphone’s specifications).

- Enter the configuration mode, see page 31.
- Select a new value for 01 Drivethru Volume > Mic Preamp Gain. The range is 0 to 20. Use the table below to determine the correct setting.

Microphone Output Level	Setting	Microphone Output Level	Setting
-63 dB	0	-74 dB	11
-64 dB	1	-75 dB	12
-65 dB	2	-76 dB	13
-66 dB	3	-77 dB	14
-67 dB	4	-78 dB	15
-68 dB	5	-79 dB	16
-69 dB	6	-80 dB	17
-70 dB	7	-83 dB	18
-71 dB	8	-84 dB	19
-72 dB	9	-85 dB	20
-73 dB	10		

For example, according to its specifications, the 3M™ Duplex Microphone (78-6911-4935-1) has an output level of -71dB at 1 kHz. According to the table, the setting in the base station should be 8.

Note:

Due to slight microphone variability and cable impedance, you may need to adjust the gain level setting by 1 or 2 dBs.

Installer Access

The default installer passcode is 12345.

Troubleshooting

Headset Indicator Lights

The following table describes the operating modes of the headsets according to the indicator lights. Use it as a troubleshooting reference.

Indicator	Mode Description
Off (no light)	Indicates power is off. It will turn off automatically if it fails to register within two minutes or if the battery dies.
Solid Green	Headset is signed on, standby, Lane 1.
Solid Amber	Headset is signed on, standby, Lane 2.
Solid Red	Headset is in transmit mode.
Flashing Green (changed from flashing amber)	Headset has not registered, but found an open base to which it will try to register.
Flashing Green (immediately after power on)	Headset is registered but has not yet synchronized or signed on to the base station.
Flashing Amber	Headset is not registered and has not found a base station.
Steadily Flashing Red	Headset is the active order taker, but the microphone is muted.
Single Red Flash (changed from flashing green)	Headset has successfully synchronized and signed on with a base station ("Lane 1" or "Lane 2" will also be heard in the earpiece).
Alternating Flashing Green and Amber	Page Monitor Mode.
Red – Orange – Red – Green - Red – Orange – Red – Green..	Headset registered to four base stations. Perform the following procedure to clear the headset registration data: <ol style="list-style-type: none"> 1. Start with the Headset powered on. It does not have to be in sync with any Base Station. 2. Press and HOLD the power button. 3. Press and release the T1 button 2 times. 4. Press and release the T2 button 2 times. 5. Release the power button. <p>The Headset LED will illuminate to solid red for 2 seconds and then it has been cleared.</p>
Red + 4sec blank + Red + 4sec blank.....	The Base Station you are trying to register your headset to, has more than 20 headsets registered already Follow the steps below to remove any registered headsets that are not in use any more. <ol style="list-style-type: none"> 1. Log into the Base Station 2. Press the Mode key till you see the System Menu 3. Select 04 Registration 4. Select 02 Remove Headsets. 3. Scroll to the number of the headset you want to un-register. 4. Press Enter.

General Troubleshooting

Problem	Possible Cause	Solution
No communications. All headsets have green LED is flashing.	The base station has lost power.	Make sure the power transformer is plugged into the wall outlet and into the base station power receptacle. If the LCD display does not come on, check for power at the wall outlet.
	Headsets are not registered to Base Station.	Register headsets
	The Base Station is defective.	Call for authorized service.
A single headset has green LED flashing	Headset is not registered to base station.	Register the headset.
	Defective headset.	If the other headsets register OK, the single headset needs repair.
	Headset has lost reception to the base station	Move to a line-of-sight location to establish communications again.
No vehicle alert tone in all headsets.	No power to the external vehicle detector.	Plug the vehicle detector into power outlet or replace the detector fuse.
	Vehicle detector is "locked up."	Remove power to vehicle detector for a few seconds to reset the detector.
	The base station alert tone volume is set too low.	Adjust alert tone volume.
	System is in Always On order taking mode.	Change the talking mode.
All headsets will not go into Standby (silence) when the vehicle leaves the menu sign.	This is normal when a pulse (air switch) type of vehicle detector is used.	Press the Page switch to silence the menu microphone.
	There is a large metal object near the loop in the driveway (if a loop is used).	Remove the object.
	The Loop detector is "locked up."	Unplug the loop detector from the AC outlet and plug it back in to reset the detector.
	Defective vehicle detector.	Call for authorized service.
	System is in Always On order taking mode.	Change the talking mode.
Audio on all headsets cuts out or is interrupted.	The Backup Intercom is on (the switch is engaged).	Disengage the Backup Intercom switch on the base station.
	Loose or frayed wiring.	Call for authorized service.
	Poor location of Base Station antennae (behind large metal objects, too far from work area, etc.).	Relocate the Base Station, or antennae.
Inbound audio cuts out (but outbound audio is okay)	The AEC level is too high.	Reduce the AEC level.
	The headset is too close to loud ambient noise.	Move the headset away from sources of loud ambient noise.
No Talk or listen from the menu sign when using the backup wired intercom. The 3M™ Wireless Communication System Model XT-1 works OK.	The backup switch on the base station is not in the correct position.	Turn the backup switch ON.
	No power to the backup intercom.	Turn the backup intercom on or plug in its power transformer.
	The volume controls are set too low on the backup intercom.	Turn the volume controls up.

Problem	Possible Cause	Solution
	Defective backup intercom or wiring.	Call for authorized service.
No Talk or Page to other headsets from a single headset, or Talk or Page buttons require excessive pressure to operate.	Worn or defective Talk or Page switch.	Call for authorized service.
	Defective headset.	
Low Talk volume on a single headset.	The holes in front of the microphone are plugged with dirt or grease.	Call for authorized service.
	Operator is not positioning the microphone correctly.	Adjust/reposition the headset microphone(s).
	Defective headset.	Call for authorized service.
	Volume setting on headset is too low.	Power off and power on headset to reset volume level.
Louder Talk volume or feedback from a single headset.	Volume setting on headset is too high.	Power off and power on headset to reset volume level.
	The holes in back of the microphone are plugged with dirt or grease.	Call for authorized service.
The "hands free" function does not work.	The system is operating in half duplex mode.	Hands Free is disabled in half duplex mode.
	Hands free order taking mode not selected.	Select hands free order taking mode in the base station.
No vehicle alert tone in headset.	Backup switch not completely pressed (i.e., one of the other two buttons is pressed).	Press the other button into the correct location.
Headset(s) amber LED flashing.	Headset(s) not registered.	Register the headset(s).

Battery and Battery Charger Troubleshooting

Problem	Possible Cause	Solution
No lights come on when a battery is inserted into charger.	Dirty contacts on battery or charger.	Clean contacts on battery and charger.
	No power to charger.	Make sure power transformer is plugged into charger and a "live" outlet.
	Defective battery.	Try a known good battery.
	Defective charger.	Call for authorized service.
Short battery life.	Worn out batteries.	Replace battery.
	Wrong type of power transformer used for charger.	Make sure power transformer is marked "Secondary Voltage 14 VAC."
The green light on the charger never comes on.	Defective battery.	Replace the battery.

Appendix: Declaration of Conformity

Declaration of Conformity

The Company Name 3M Company
The Company Address 3M Building & Commercial Services Division 3M Center - Building 250-03-W-04 St. Paul, MN 55144-1000


Declares that the product(s):

Product Name and/or Model Number(s) 3M Wireless Communication System Base Station – XT-1D 3M Wireless Communication System Headset – XT-1C 3M Digital Signal Enhancer, Omnidirectional (accessory item) 3M Digital Signal Enhancer, Extender, Directional (accessory item) 3M Timer Display – 1DE2
Type and/or Description Wireless Communications System, with external power supply. The Digital Signal Enhancer is an accessory item used for extending the working distance from the 3M Wireless Communication System Base Station. The Timer Display is an accessory that is used to display the content of an order.

Conform(s) to the following specifications:

Directives 2006/95/EC Low Voltage Directive 2004/108/EC EMC Directive 1999/5/EC RTTE Directive 2011/65/EU RoHS II Directive
Year in which CE mark first affixed 2008
Standards EMC: ETSI EN 301 489-1 V1.8.1 ETSI EN 301 489-17 V2.1.1 EN 55022:2006/A1:2007 Radiated/Conducted Emissions, Class A EN 62311:2008 Human Exposure to electromagnetic fields EN 62209-1:2008 Human Exposure to Radio Frequency Field EN 55024:1998/A2:2003 ITE Immunity ETSI EN 300 328 V1.7.1 Electromagnetic compatibility and Radio Spectrum Matters (ERM) Safety: EN 60950-1:2006 Information technology equipment - Safety – 2nd Edition (additionally evaluated to A11:2009+A1:2010+A12:2011)

Quality System Manufacturer qualified based on ISO 9002/EN 29002
--

Signer of Declaration Sue Wouffe	Title Technical Director Building & Commercial Services Division
Signature 	Date 20 Dec 2012

Appendix: Base Station Specifications

Physical

Parameter	Specification or Requirement
Dimensions (l x w x d)	20 in. x 11½ in. x 2 in. (51 cm x 29 cm x 5 cm)

Electrical

Parameter	Specification or Requirement
Input Power	120 VAC, 50/60 Hz, 15A Standard 3-prong outlet required (station includes AC adapter)
Radio Frequency	2.4 GHz ISM (Does <u>not</u> require FCC license)
Speaker outputs	5W

Functional

Parameter	Specification or Requirement
Maximum number of order points per base station	1
Maximum number of headsets per base station	more than 15
Maximum number of vehicle detectors per base station	3
Maximum number of greeter modules per base station	1
Maximum number of timer vehicle detector modules per base station	3

Appendix: Best Practices

This appendix provides best practices to help ensure successful configuration and operation of the 3M™ Wireless Communication System Model XT-1.

PreAmp Setting

Set the PreAmp gain setting according to the type of wiring you are using:

- If you are using the provided 3M Microphone and the 20 AWG cable, set the PreAmp gain setting to 8.
- If a 22 AWG cable is used, set the PreAmp gain setting to 9.

Volume Control

Here are some guidelines:

- If you are using the provided 3M Microphone and you set the PreAmp gain setting to a value over 10, you could cause distortion and echoes on the inbound channel.
- If the customer wants the inbound communication at a higher volume level, set the inbound volume control to a higher level, or show the customer how to increase the headset volume.
- Do not increase the volume using the PreAmp gain. The PreAmp is designed to optimize the 3M™ Wireless Communication System Model XT-1 and the Microphone and should not be used to increase the volume level.

Optimizing the Installation

The following steps may reduce the possibility of customer complaints and may decrease your installation time:

- Power Supply Mounting – mount the power supply in a safe place where it will not get disconnected.
- Use strain relief on all connections – the 3M™ Wireless Communication System Model XT-1 was designed so that all connections would be strain relieved and therefore minimizing the chance of a connector being disconnected.
- Use an Uninterruptible Power Supply (UPS) – adding a UPS will make the 3M™ Wireless Communication System Model XT-1 more reliable by increasing uptime as providing a cleaner power source.
- Use a Pre-install Checklist.
- Use an Installation Checklist.
- Remove the Microphone Cover (Adhesive disk protecting the front of the microphone), if still present.

Dealing with Delay/Echo

During the first ½ second of each order, there is a delay while the Order Taker starts to speak. If the Delay lasts more than a ½ second, follow the flowchart (Figure 20) below. You may also experience a delay if a vehicle at the order point moves while the order is taking place; this usually happens at the end of a call while the order taker tells the customer the total.

Echo/Delay Cancellation Flowchart

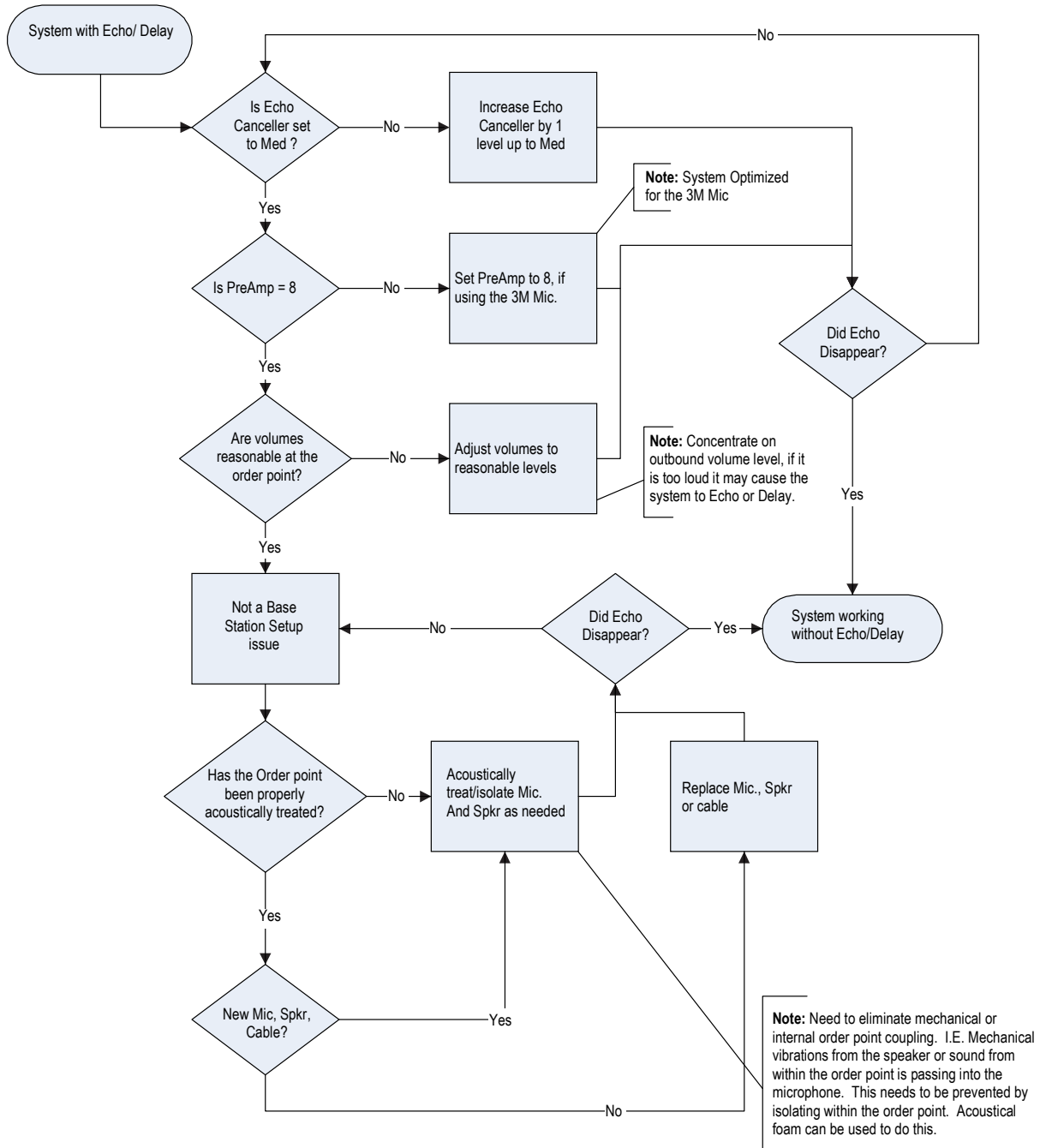


Figure 20

Appendix: Dual Lane Installation Instructions

This section provides a procedure for installing and configuring any system where there are two base stations (tandem, side-by-side, or dual drive thru). It is meant to be a time-saving reference that can be performed on existing drive-thrus that may be in-service during the installation.

Important Note:

Interconnected base stations must be the same revision level.

Note:

3M recommends that the base stations be as close together as possible.

Recommended Procedure

17. Start charging the batteries.
18. Remove the mylar disk from both microphones.
19. Close lane #1 and operate the drive thru on lane #2.
20. Install the microphone, speaker, and vehicle detector on lane #1. You may need to unregister headsets from lane #1 and register them to lane #2.
21. Determine a location for the base (page 14). In addition to the location requirements, the two base stations should be located side-by-side or as close together as possible.
22. Pull the wire from the order point to the base station #1 location.
23. Pull 6 pairs of audio wire from the order point #1 location to order point #2 location for interbase wiring.
24. Mount base station #1 (page 15).
25. Make the wiring connections from lane #1 to base station #1 (page 19). Do *not* make the interbase wiring connections at this time.
26. Power up base station #1.
27. Register all of the headsets to base station #1 (Page 37).
28. Set the following for base station #1:
 1. PreAmp gain (page 48)
 2. Outbound volume (page 34)
 3. Inbound volume (page 34)
29. Thoroughly test the lane #1 intercom system.
30. Open lane #1 and close lane #2.
31. Install the microphone, speaker, and vehicle detector on lane #2.
32. Pull the wire from the order point to the base station #2 location.
33. Mount base station #2 (page 15).
34. Make the wiring connections from lane #2 to base station #2 (page 19). Do *not* make the interbase wiring connections at this time.
35. Power up base station #2.
36. In base station #1, set the number of base stations to 2 (page 40).
37. In base station #2:
 1. set the number of base stations to 2 (page 40).
 2. set the base station number to 2
38. Make the interbase wiring connections in both base stations. (page 22)
39. Cycle the power for both base stations.
40. Set the following for base station #2:
 1. PreAmp gain (page 48)

2. Outbound volume (page 34)
3. Inbound volume (page 34)
41. Thoroughly test the lane #2 intercom system.
42. Complete the configuration for both base stations (page 31).

Appendix: 3M™ Acoustic Kit Installation Guide

The 3M™ Acoustic Kit that is used for communication posts is suitable for new or retrofit installations and can readily be used with various housing designs. One kit contains enough material to accommodate a typical microphone and speaker system. It can be used for a microphone and speaker installed either in a single housing or in separate housings.

When installed according to the guidelines below, these components act together as a system to help enhance speech intelligibility.

System Components:

- 6 each, 2" x 10" 3M™ Vibration Control Tape
- 2 each, 1" x 8" x 27" TUFECOTE® TBK Faced Foam
- 2 each, 2" x 12" x 30" Thinsulate™ Acoustic Insulation



Installation Guidelines — Separate Housings

Component installation is the same for both the microphone and the speaker housings.

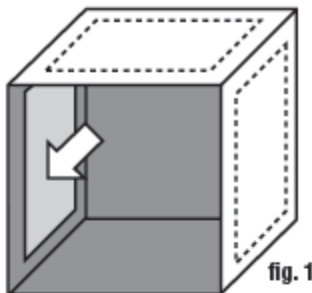


fig. 1

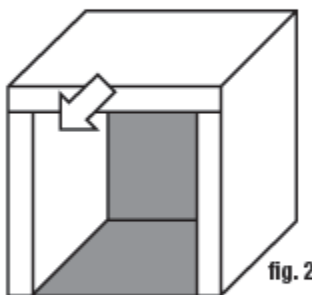


fig. 2

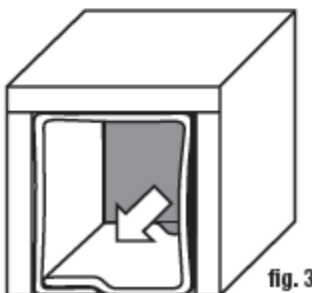


fig. 3

1. Ensure that the inside of the housing is clean and dry.
2. Install the 3M™ Vibration Control Tape to the inside of the top and side walls of the housing (fig. 1).
 - a. Using a pair of scissors, cut one piece of tape approximately 1" less than the length of the top wall. Cut two pieces so they are each approximately 1" less than the side walls.
 - b. Peel and discard the release liner from the back of the tape.
 - c. Center each piece of tape on the inside of the top and side walls of the housing, as shown in the illustration.
3. Install the TUFECOTE® TBK Faced Foam to the inside of the housing and over the vibration control tape (fig. 2).
 - a. Check the fit of the foam to the inside of the housing. The foam can either be formed into an upside-down "u" shape to fit against the inside of the top and side walls as one piece, or cut into individual pieces to fit the inside of each wall.
 - b. Peel and discard the release liner from the back of the faced foam.
 - c. Align the center of the foam with the centerline of the top wall and then work toward the edges until the foam is centered on the inside of the top and side walls of the cavity.
 - d. When positioned correctly, press the foam firmly to secure it in place.
4. Install the Thinsulate™ Acoustic Insulation (fig. 3).
 - a. Loosely line the housing with the acoustic insulation. For the best appearance, position the black side of the insulation toward the outside of the housing.

- b. If there is excess insulation, overlap it against the inside of the first layer.

Installation Guidelines — Single Housing

Microphone and speaker are contained within a single housing. Component installation is the same for both microphone and the speaker. The microphone and speaker must be separated from each other by foam.

5. Ensure that the inside of the housing is clean and dry.
6. Install the 3M™ Vibration Control Tape to the inside of the top and side walls of the housing (fig.4).
 - a. Using a pair of scissors, cut one piece of tape to be approximately 1" less than the length of the inside of the top wall. The four pieces of tape used for the side walls can be used as is from the kit and do not require trimming.
 - b. Peel and discard the release liner from the back of the tape.
 - c. Center a piece of tape on the inside of the top of the housing. Locate the position of the microphone (speaker) and center a piece of tape on the inner wall of the housing centered with the microphone. Repeat for the opposite wall. Repeat this step for the speaker.

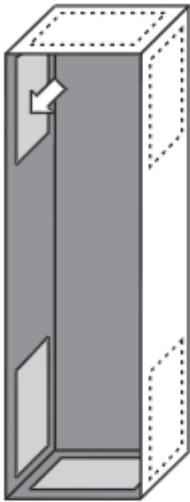


fig. 4

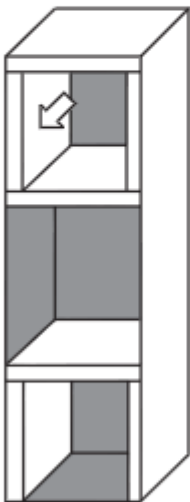


fig. 5

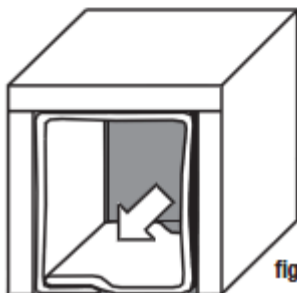


fig. 6

7. Install the TUF-COTE® TBK Faced Foam to the inside of the housing and over the vibration control tape (fig. 5).
 - a. *Standard method:*
 - Cut one piece of foam to be positioned between the speaker and microphone. In order for the foam to fit securely, cut it slightly larger than the inner dimensions of the housing. It should fit snugly between the walls of the housing without buckling.
 - Check the fit of the faced foam to the inside of the housing, in the areas adjacent to the microphone and the speaker. Cut into individual pieces to fit the inside of each wall of the housing as shown in the illustration.
 - Alternative method:*
 - Form one piece of insulation into a “u” shape and position it in the upper pan of the housing.
 - Form the second piece of insulation into an upside-down “u” shape and position it in the lower pan of the housing.
 - b. Peel and discard the release liner from the back of the faced foam.
 - c. Align the center of the foam with the centerline of the top wall of the cavity and then work toward the edges until the foam is centered on the inside of the top and side walls of the cavity.
 - d. When positioned correctly, press the foam firmly to secure it in place.
8. Install the Thinsulate™ Acoustic Insulation (fig. 6)
 - a. Loosely line the housing with the acoustic insulation. For the best appearance, position the black side of the insulation toward the outside of the housing.
 - b. If there is excess insulation, overlap it against the inside of the first layer.

Additional illustrations of 3M speaker and microphone installation using the 3M Acoustic Kit and product instructions as a guideline for installation.



Fig.1
Install 3M Vibration tape to metal surfaces.



Fig.2
Install 3M foam and acoustic insulation.



Fig.3
Solder all connections.



Fig.4
Secure connections with connectors.



Fig.5
Install speaker with same procedure.

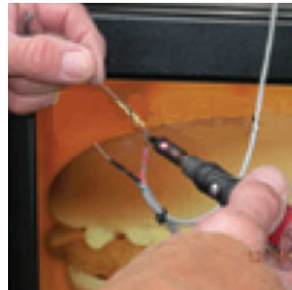


Fig.6
Solder all connections.



Fig.7



Fig.8

Appendix: Loop and cable condition test

Measure loop inductance/resistance for each order point, recommend replacement in comments section if needed. You must conduct two separate tests on the Inductance Loop to determine it's condition:

1. Lineal Conductor Resistance and Inductance

This test measures the Resistance and the Inductance of the loop conductor or wire **at the Base Station**.

Procedure: To measure the inductance and resistance of the loop wire, use test equipment such as an LCR meter (Inductance [L], Capacitance [C], and Resistance [R]).

A reading of **1.2 Ω for resistance** and **100–120 μ H (or 20 μ H / wire turn) for inductance** are acceptable measurements that reflect good wire condition.

2. Insulation Resistance

In addition to the factors mentioned above, ice, water, frost, etc. can contribute to the change of the conductor's resistance. However, measuring the conductor's resistance alone may not provide a complete picture, as it does not account for insulation leakage to the ground/earth. Insulation leakage can be checked by utilizing a Megohm meter (or a Megometer or Megger Meg Out, in industry parlance) capable of testing up to 500 megohms (500 million ohms).

In this test, a DC voltage is applied to the loop wire to check for insulation damage that may cause a short circuit when normal power is applied. The Meggers have settings capable of delivering anywhere from 500–1000 volts through the loop. **DO NOT apply more than 500 volts for this test or you may damage the insulation.** The cable's insulation is rated at 600 volts.

Procedure:

Step 1: Disconnect the loop wires from the loop detector so the loop is floating.

Step 2: Place one of the meter leads to the loop wire and the other to the ground/earth..

Resistance above 20 megohms:	Acceptable
Resistance below 20 megohms:	Loop wire insulation has been damaged. Loop integrity is questionable
Resistance less than 10 megohms:	Loop wire must be replace

Index

12V IN/OUT.....	17	Dual lane installation.....	61, 63
Acoustic echo	39	EARTH	17
Acoustic echo cancelling.....	39	Echo	39
Adding headsets	37	Enter (Select) button	32
Air hose	12	Ethernet port.....	33
Alert tone, none	50	EXT_AUDIO	19
Audio mode	40	EXT_MSG	18
Auxiliary intercom	22	Factory settings	47
backup intercom	47	FCC information	7
Backup intercom.....	<i>See</i> Auxiliary intercom	Feedback	51
BACKUP INTERCOM.....	18	Full duplex	
Base station		definition	40
cover removal	<i>See</i>	Global settings.....	39
base to base wiring	22	GND.....	17, 18, 19
Battery		Green light, charger.....	51
short life.....	51	Greeter.....	28
Battery charger		Greeter messages.....	37
installation	12	Half duplex	
Best Practices	57	definition	40
Boot	47	Hands free	
Cable.....	9	not working	51
<i>Caution definition</i>	5	Headset	
Charger		cuts out	50
no lights or not working	51	goes into standby.....	50
component wiring.....	19	registering.....	37
Conduit	9	Holiday scheduling.....	44
Configuration.....	33	IC information.....	7
cover		IN +/-.....	18
base station	15	Inbound listen.....	35
Cover		Inbound microphone	
removing and replacing	14	noise reduction level	39
Create templates	47	volume.....	34
Crossing, lane	42	Input Power	55
cut out (headset)	50	Installation.....	9
Date	39	Installation settings.....	46
DAY/NIGHT	18	Intended use	5
Dead battery	51	INTERBASE_1.....	18
Delay	26	Intercom, backup.....	22
Dimensions.....	55	LAN	18
Display		Lane crossing	42
buttons	32	Language	
navigating	31	prompts.....	40
Dual (double) drive thru		Listing headsets.....	38
definition	11	Load templates	47
		Location	
		base station.....	14

Materials required.....	9	Pull ahead prompt	41
MEN SKR	17, 18	Pulse	26
MIC	17, 18	Pulse detectors.....	12
Mic preamp gain.....	47	Reboot	47
Mode		Registering headsets.....	37
audio	40	Regular site schedule.....	44
order taking.....	43	RELAY1/2/3	19
run.....	30	Removing headsets.....	38
service.....	31	Revision levels	47
Mode (Exit) button	32	Run mode	30
MON SKR.....	18	Safety rules.....	5
Monitor volume	35	Schedule	44
Night volume	37	Screws	9
No alert tone	50	Self monitoring.....	38, 44
No communication	50	Sensitivity.....	26
Noise reduction.....	39	Service (Shift) button	33
Noise reduction level.....	39	Shielding requirement	9
Number of base stations	11	Side-by-side drive thru	
Number of vehicle detectors.....	12	definition	11
Order taking mode.....	43	Single drive thru	
ORDER/TAKING	18	definition	10
OUT +/-	18, 19	Site information.....	44
Outbound greeter message volume.....	35	Site scheduling	43
Outbound talk	36	Specifications	55
volume	35	SPLIT/CROSS	18
PAGE.....	18	Store closed prompt.....	41
Page channel.....	40	System date and time	39
Page messages	36	TALK	18
Paging		Tandem drive thru	
definition	36	definition	10
Paging problem.....	51	Templates	47
Passcodes.....	45	Terminals, wiring	16
Power Up.....	30	Time	39
Presence.....	26	Timer	28, 29
Presence detectors	12	Transducer Mode	43
Product Overview	5	Troubleshooting	49
Prompt		Two base systems.....	40
language.....	42	Types of drive thru	10
pull ahead	41	User passcode.....	45
store closed	41	VEH_APP	18
		VEH_COM	18
		VEH_NO.....	18
		Vehicle	
		alert volume.....	35
		approach	36
		present	36
		Vehicle detector	
		configure	26
		installation.....	<i>See separate manual(s)</i>
		LED.....	27

Vehicle detector types	12	outbound talk.....	35
Volume	34	vehicle alert.....	35
inbound microphone.....	34	<i>Warning definition</i>	5
monitor	35	wiring	
night.....	37	base to base	22
outbound greeter message	35	components	19

Warranty, Limited Remedy, and Disclaimer: 3M warrants that its intercom products will be free from defects in material and manufacture for the period indicated in product literature from the date of shipment to purchaser by 3M or its authorized dealer. 3M MAKES NO OTHER EXPRESS OR IMPLIED WARRANTIES, INCLUDING ANY IMPLIED WARRANTY OF MERCHANTABILITY OR FITNESS FOR A PARTICULAR PURPOSE. If the 3M intercom product does not conform to this warranty, the sole and exclusive remedy is, at 3M's option, repair or replacement of the 3M product or refund of the purchase price. This warranty does not cover: (1) the cost of shipping products to or from 3M for repair, (2) repair or replacement of existing cable or wiring, (3) product failure caused by misuse, abuse, improper installation, or unapproved modifications, or (4) intercom products that are installed or serviced by a non-3M authorized party. To obtain warranty service, please contact your authorized 3M dealer or 3M Building & Commercial Services Division, 3M Center, Building 500-01-01, St. Paul, Minnesota 55144-1000.

Limitation of Liability: Except where prohibited by law, 3M will not be liable for any loss or damage arising from its intercom products, whether direct, indirect, special, incidental or consequential, regardless of the legal theory asserted.



Building and Commercial Services Division
St. Paul, MN 55144-1000
1-800-328-0033
www.3M.com/foodservices

3M, Thinsulate and Tufcote are trademarks of 3M.
Used under license in Canada.
© 3M 2012. All rights reserved.
78-8134-0497-3 Rev. 3