

REF LM1

Made in USA for
3M Health Care
St. Paul, MN
55144 USA



LISTED

37EL

LUMINOMETER

R-NZ

5V --- 850mA



Contains FCC ID: DGF7100067976
Contains IC: 458A-7100067976

CAN ICES-3(A)/NMB-3(A)



1.31

1.25

REF LX25

Made in USA for
3M Health Care
St. Paul, MN
55144 USA




LISTED

37EL

LUMINOMETER

R-NZ



5V  850mA

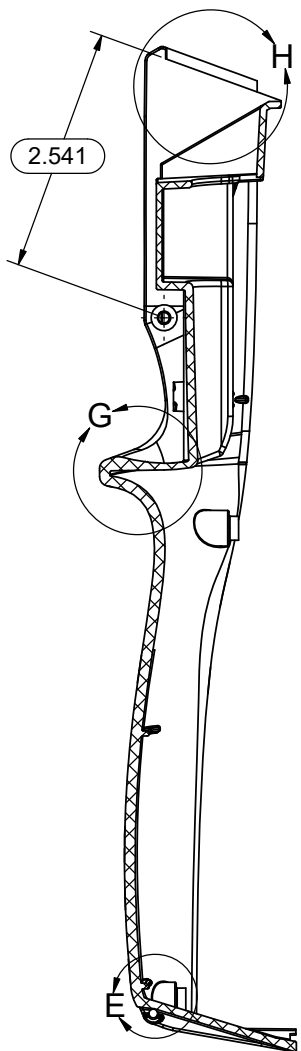
Contains FCC ID:DGF7100067976
Contains IC:458A-7100067976

CAN ICES-3(A)/NMB-3(A)

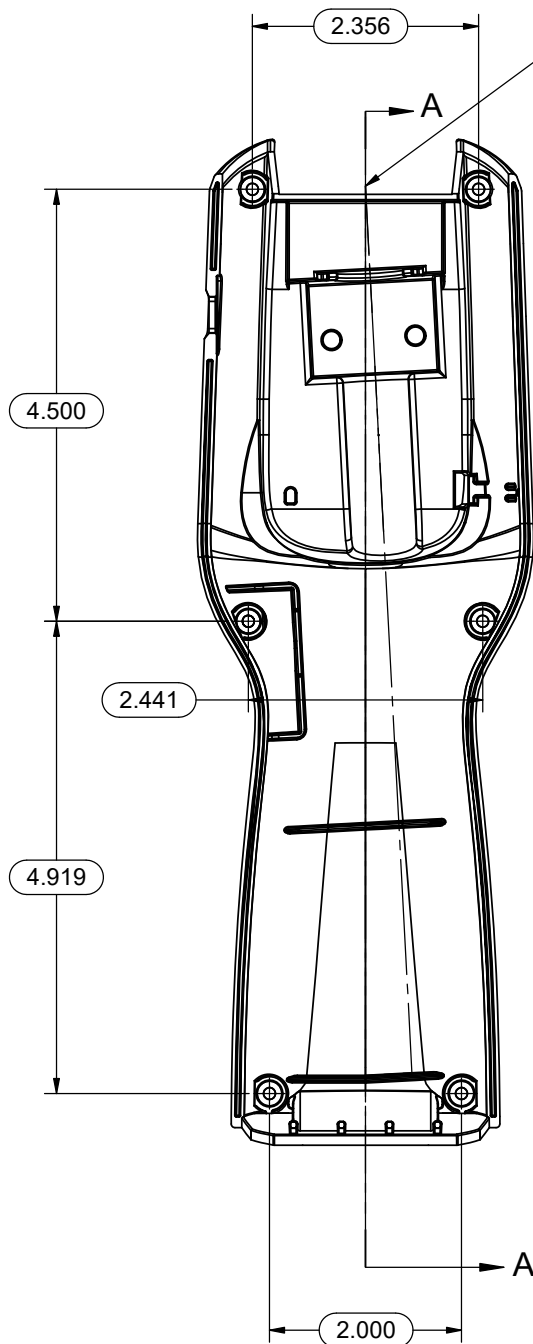


1.31

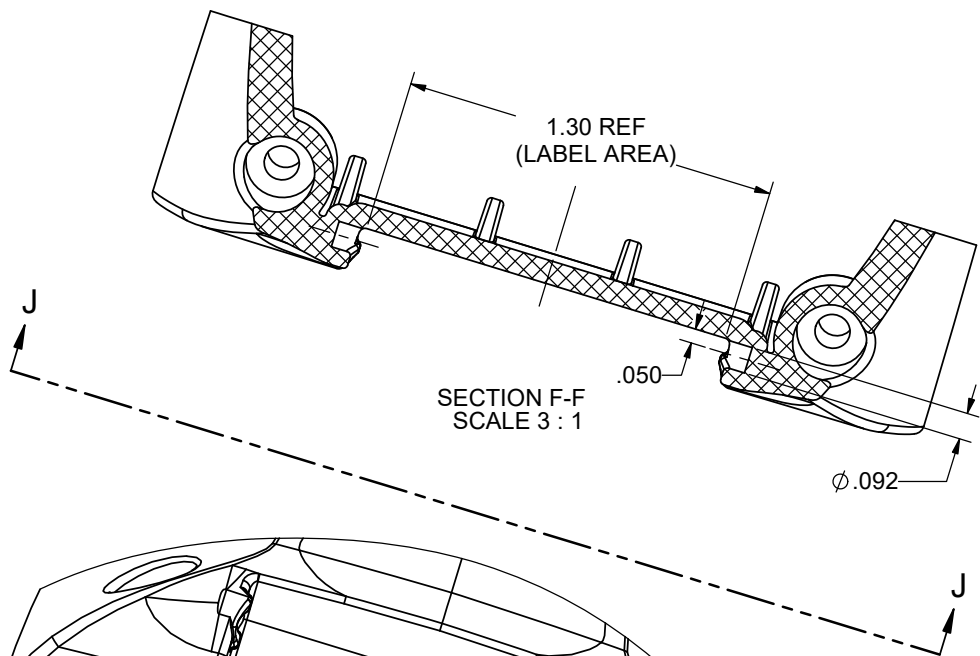
1.25



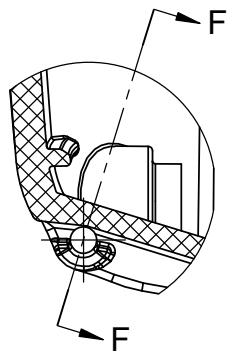
SECTION A-A



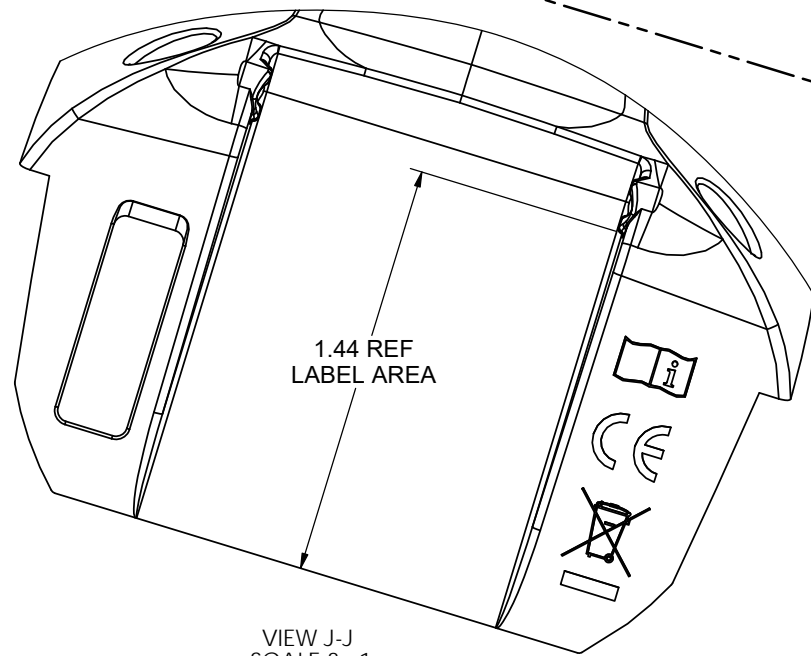
UNIT CENTERLINE
TUBE CENTERLINE
INTERSECTION



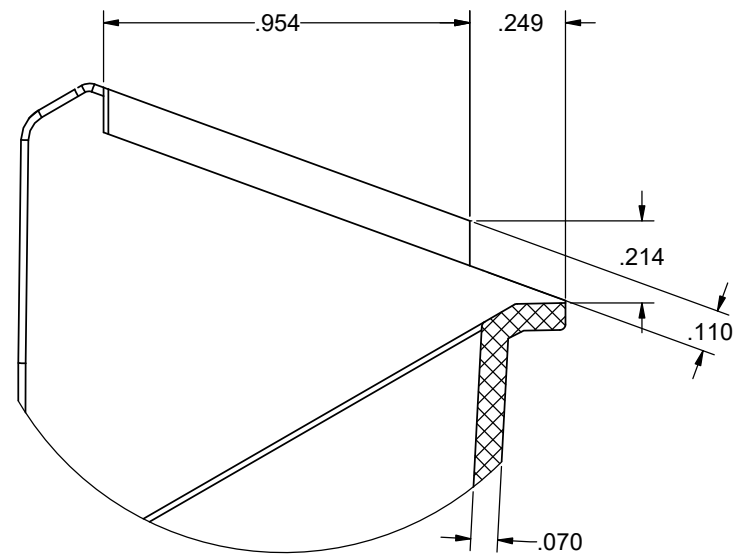
SECTION F-F
SCALE 3 : 1



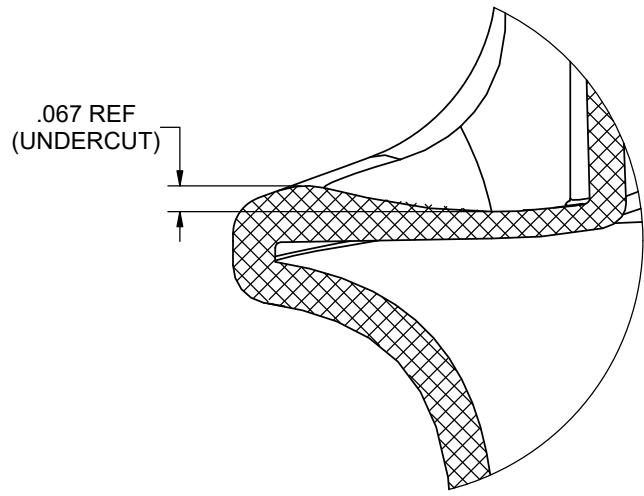
DETAIL E
SCALE 3 : 1



VIEW J-J
SCALE 3 : 1



DETAIL H
SCALE 4 : 1



DETAIL G
SCALE 4 : 1

DESIGN REFERENCE		NEXT ASSEMBLY		DRYF	DATE	MFG	DATE	
DISTRIBUTION CODES		SIRA	09/29/14	CHKD	DATE	APPL	DATE	
DO NOT SCALE DRAWING TOLERANCES EXCEPT AS NOTED INCHES 0 ± .1 .00 ± .02 .000 ± .005 .0000 ± .0002 MILLIMETERS 0 ± .1 .00 ± .02 .000 ± .005 .0000 ± .0002		3M St. Paul, MN 55144 © 3M COPYRIGHT ~ This document is the copyrighted property of the 3M Company and may not be reproduced without 3M written permission or used for other than 3M authorized purposes.		TITLE CASE-BACK				
THIRD ANGLE PROJECTION INTERPRET PER ASME Y14.5 - 1994 MAX SURFACE ROUGHNESS 125 <input type="checkbox"/> ALL SURFACES <input checked="" type="checkbox"/> MARKED ONLY		CAGE NUMBER D		SIZE D		DRAWING NO. 78-6145-4841-6		REV. B
		MODEL DET. LISTS <input type="checkbox"/> YES <input checked="" type="checkbox"/> NO		SHT 2 OF 4				

DRAWING NUMBER
78-6145-4841-6

REVISION
A