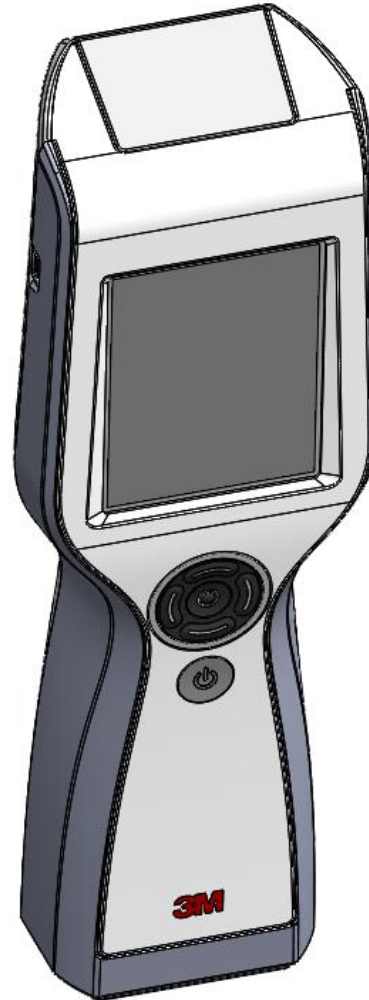


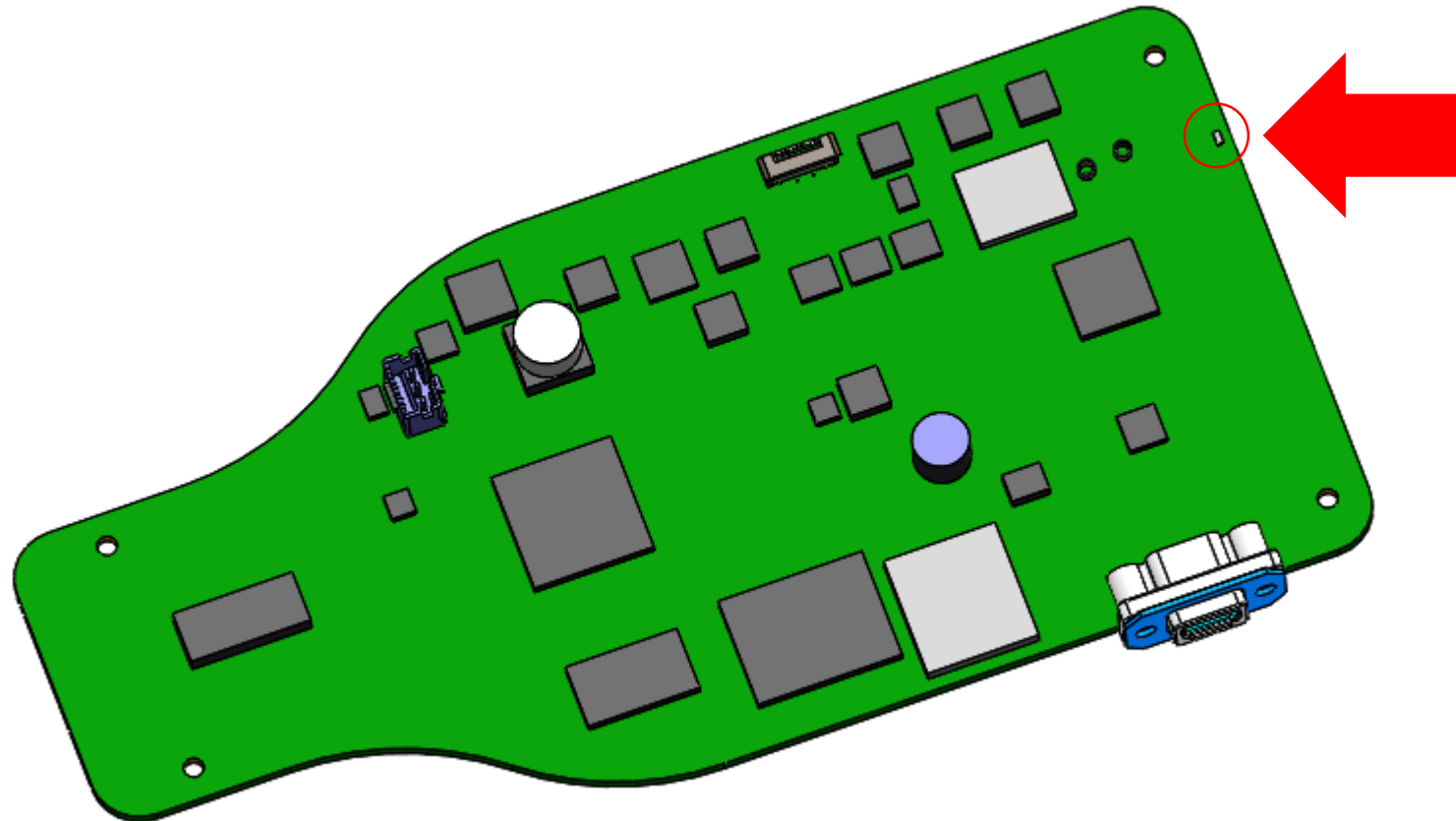
Location of the LM1 Wireless Antenna w/r Case



Thom Brace
12/06/2017

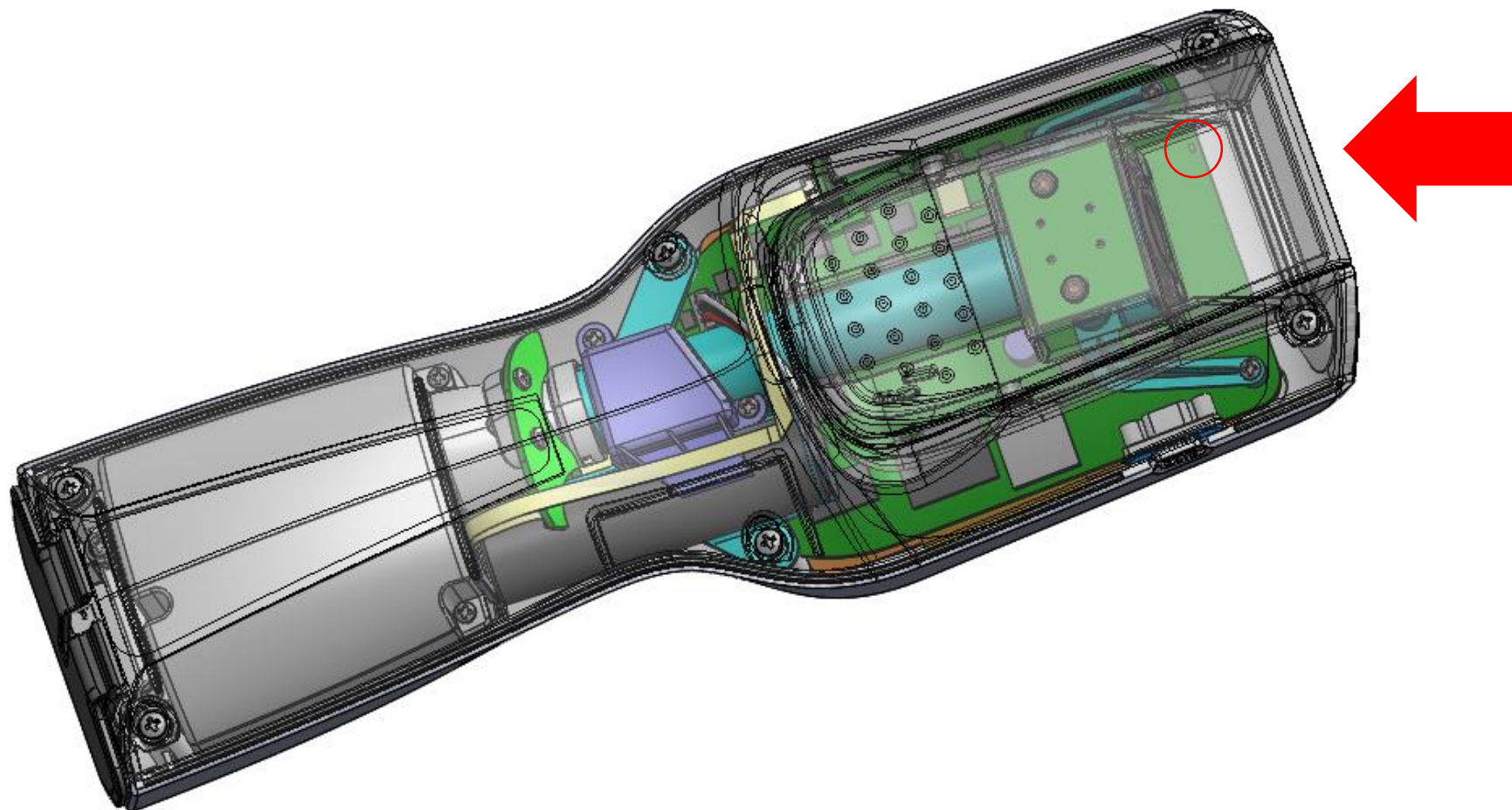
LM1 Main PCBA

Wireless Antenna Location on Main PCBA



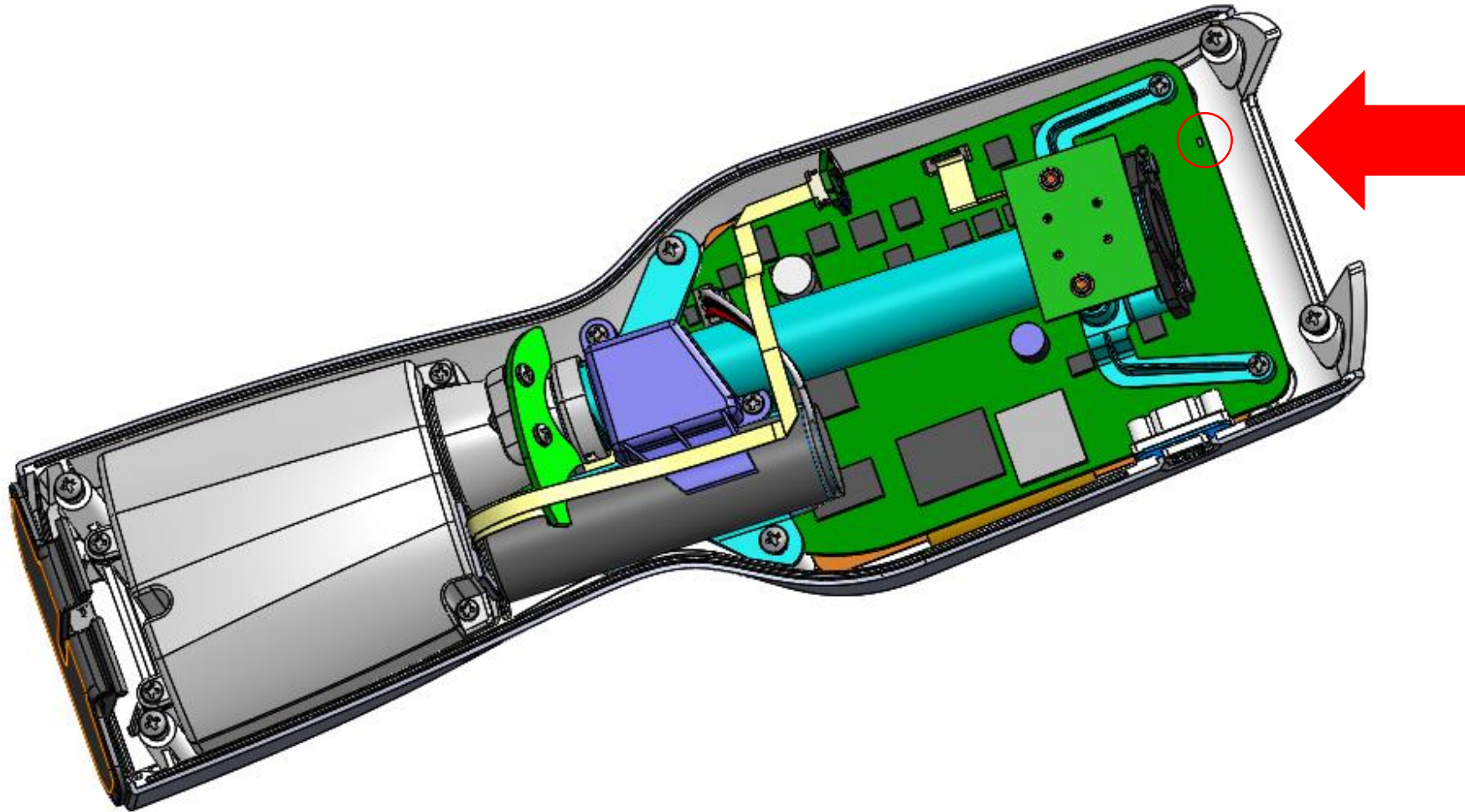
Main PCBA in LM1

See-thru Rear Case and Cap



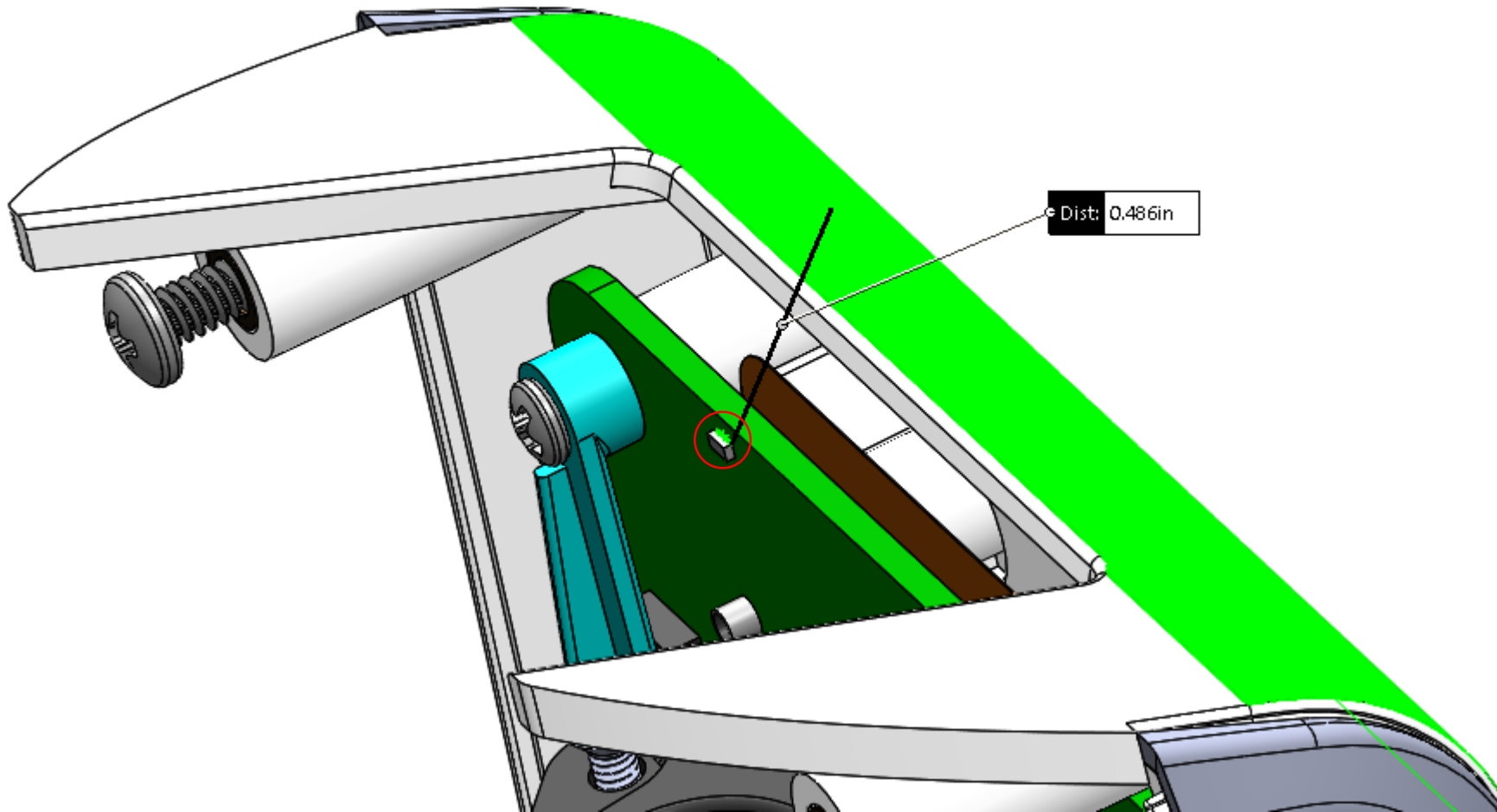
LM1 w/Main PCBA

Location of Antenna w/Rear Case and Cap removed



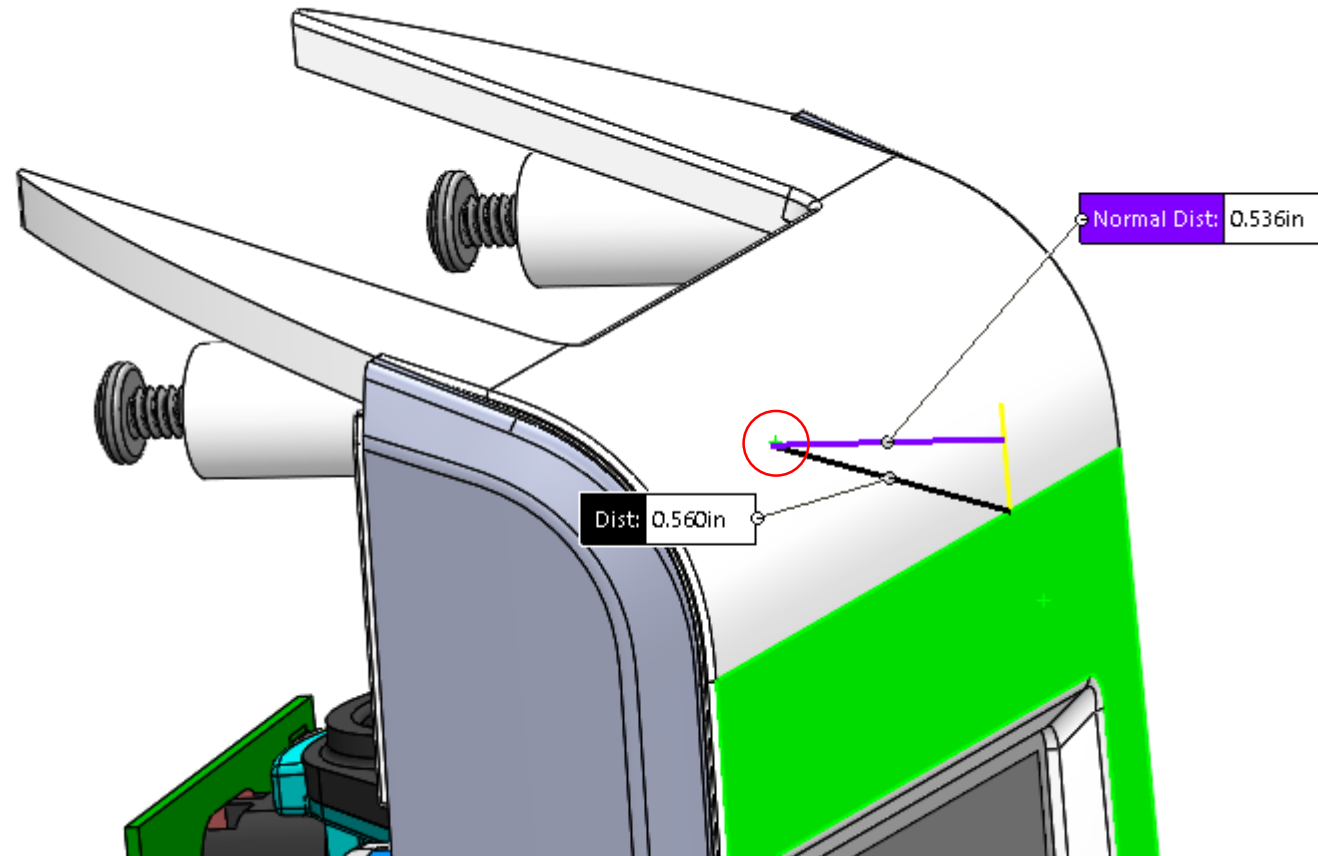
Main PCBA and Front Case

Distance to closest surface (highlighted in green): 0.486 inches



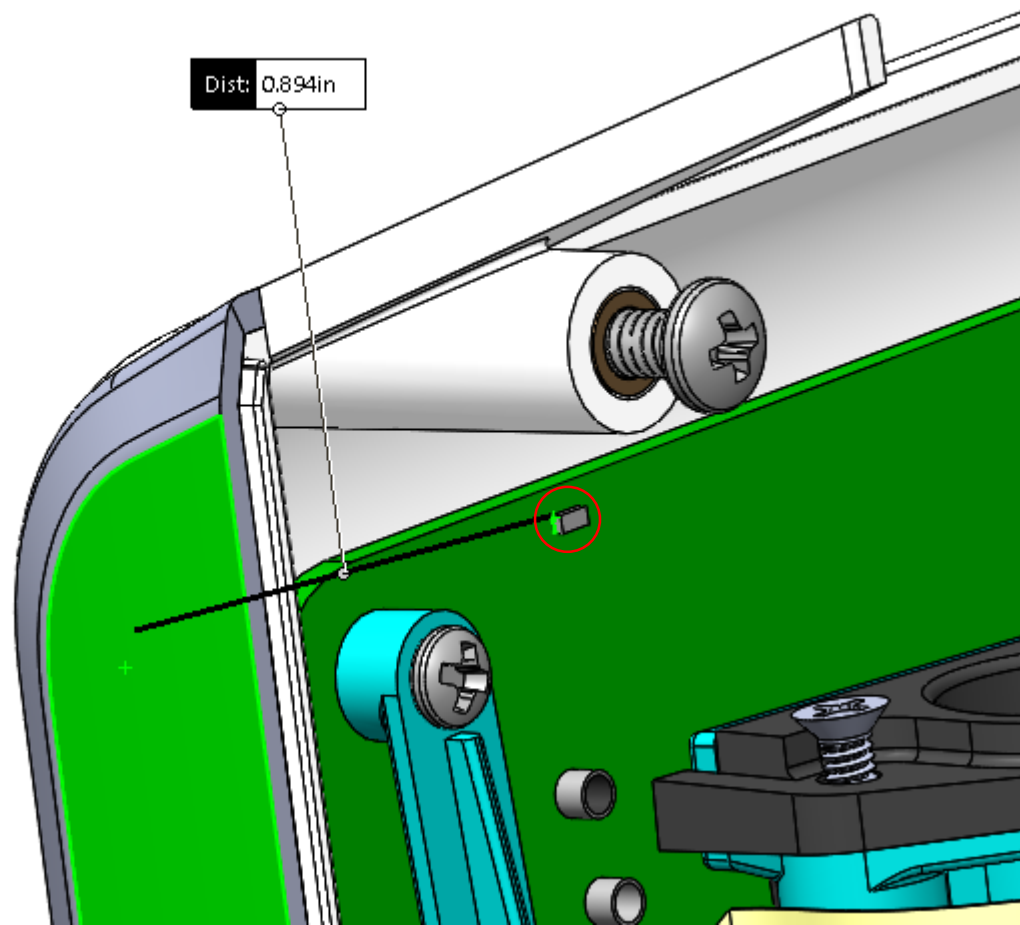
Main PCBA and Front Case

[Normal] Distance to front surface (highlighted in green): 0.536 inches



Main PCBA and Front Case

Distance to closest side surface (highlighted in green): 0.894 inches



Main PCBA and Rear Case

Distance to rear Cap surface (highlighted in green): 1.323 inches

