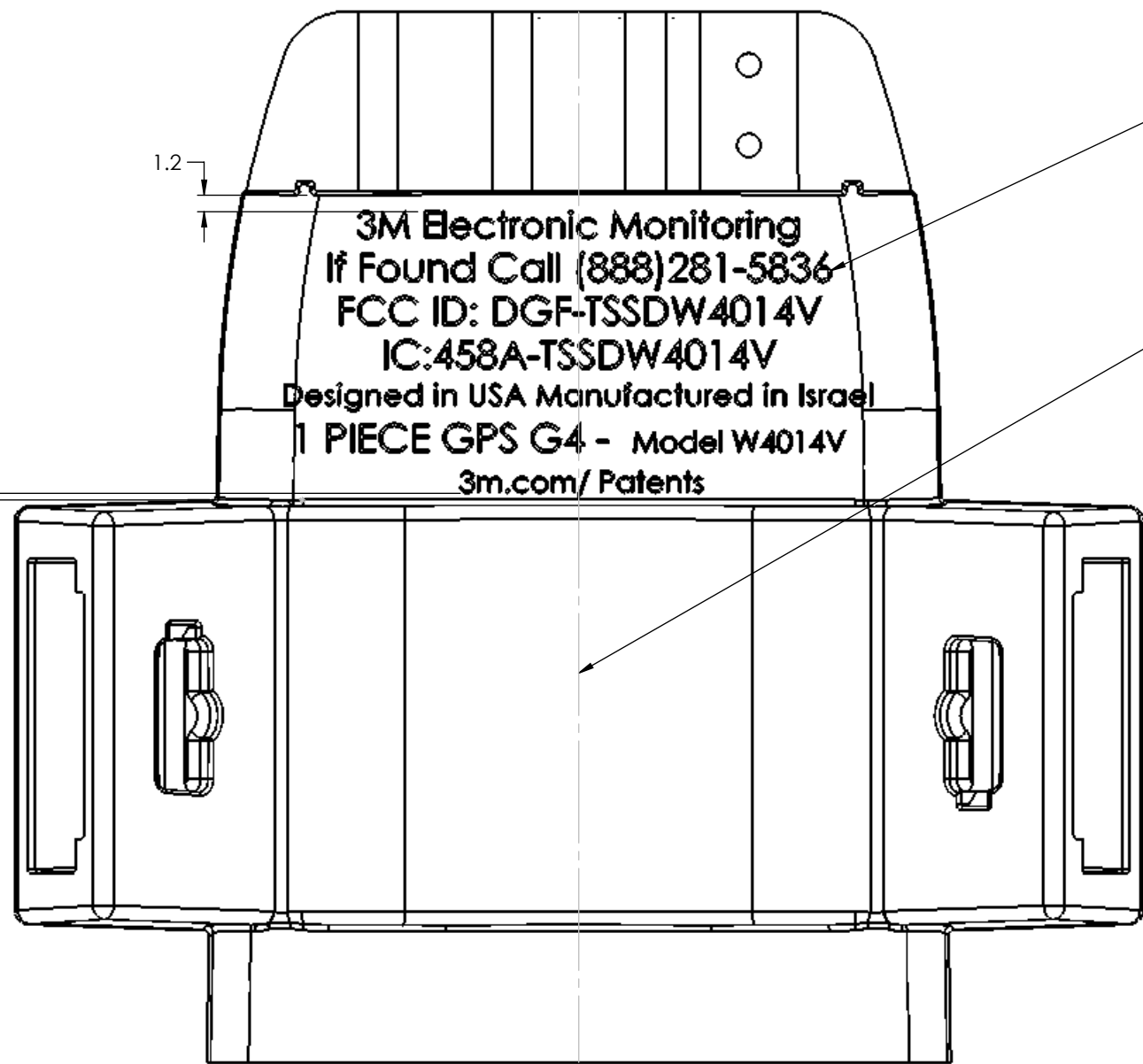




| REVISIONS |      |                            |           |     |      |
|-----------|------|----------------------------|-----------|-----|------|
| ECO       | REV. | DESCRIPTION                | DATE      | BY  | APRV |
| 006228    | A00  | RELEASED                   | 12/2/2015 | RLG | WLF  |
| 006288    | B00  | LASER ETCH TEXT CORRECTION | 1/14/2016 | NAM | JCD  |

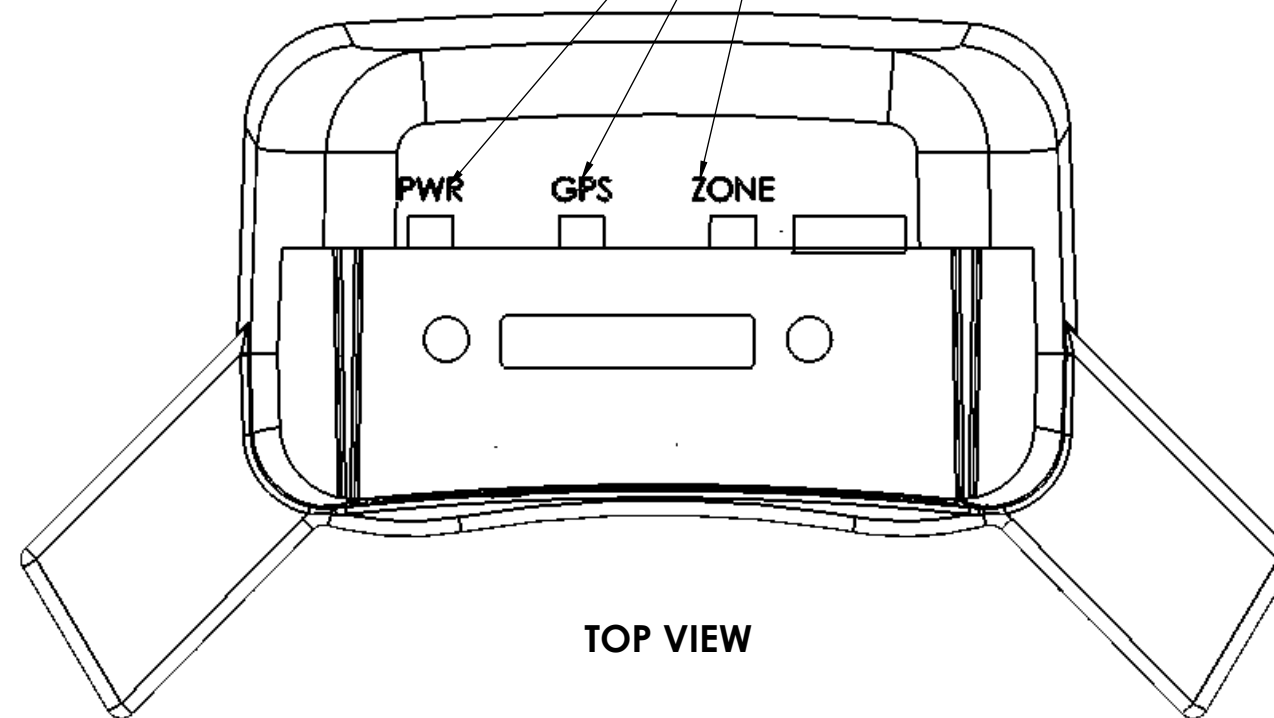


**REAR/ BACK VIEW**

LASER ETCH  
ARTWORK AS SUPPLIED IN FILE  
REGULATORY\_TEXT\_01142016.JPG

TEXT CENTERED ON CENTERLINE

PAD PRINT  
FONT: ARIAL  
FONT STYLE: REGULAR  
FONT HT.: 6 PT.



**TOP VIEW**

**NOTES: (UNLESS OTHERWISE SPECIFIED)**

1. LASER ETCH AND PAD PRINTING AS SHOWN ONTO 3M PART NUMBER 32000355.
2. PACKAGING REQUIREMENTS: INDIVIDUALLY BAGGED, DESICCANT IN BOX
3. EACH PART SHALL BE CLEAN, FREE OF OILS AND/OR DEBRIS, AND PACKED IN INDIVIDUAL BAG. SHIPPING BOX SHALL BE MARKED WITH 3M PART NUMBER, REVISION, RAW MATERIAL LOT NUMBER, MANUFACTURE LOT NUMBER, AND DATE OF MANUFACTURE

|   |          |  |                 |   |
|---|----------|--|-----------------|---|
| <b>DIMENSIONS ARE IN MILLIMETERS</b>  |          | NAME   | DATE (MM-DD-YY) | <b>3M</b> 3M ELECTRONIC MONITORING                                  |
| TOLERANCES (UNLESS OTHERWISE SPECIFIED)   |          | DRAWN  | RLG 10/29/2015  |   |
| 0.5 TO 6 ± 0.1<br>> 6 TO 30 ± 0.2<br>> 30 TO 120 ± 0.3<br>> 120 TO 400 ± 0.5<br>ANGULAR: ± .5°  |          | CHECKED  | NAM 10/29/2015  |   |
| MATERIAL  | 32000355 |  |                 | TITLE:<br><b>PLASTIC MAIN HOUSING W/<br/>PRINTING FOR 1PIECE G4</b> |
| FINISH  | MT11000  |  |                 | PART. NO. 32000472  |
| THIS DOCUMENT IS COPYRIGHTED PROPERTY OF THE 3M COMPANY AND MAY NOT BE REPRODUCED WITHOUT 3M WRITTEN PERMISSION OR USED OR DISCLOSED FOR OTHER THAN 3M AUTHORIZED PURPOSES. |          | <b>SYMBOL KEY:</b><br>△ REVISION<br>▭ INSPECTION DIMENSION<br>○ ITEM NUMBER (PARTS LIST)<br>⬡ CORRESPONDING NOTE |                 | SIZE DOC. NO. REV<br><b>B 41MSA0210 B00</b>                         |
| INTERPRET PER ASME Y14.5M-1994  |          | WEIGHT (gr): 40.7  |                 | SHEET 1 OF 1  |