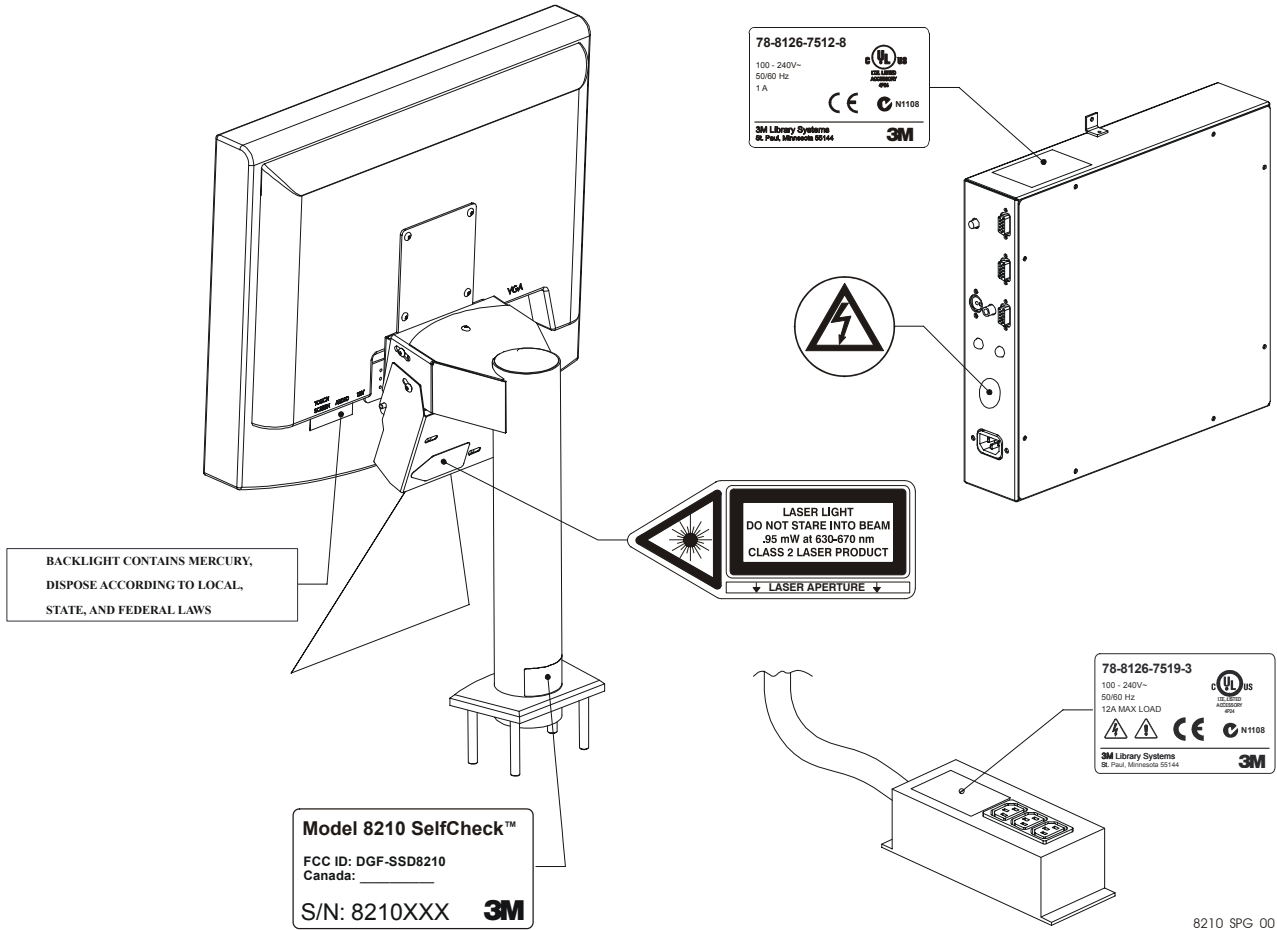


# Label locations



8210\_SPG\_00

**Note:** The barcode scanner uses a Class II laser. Up to 0.95 mW of laser power can be emitted onto objects.