

OSM GROUP

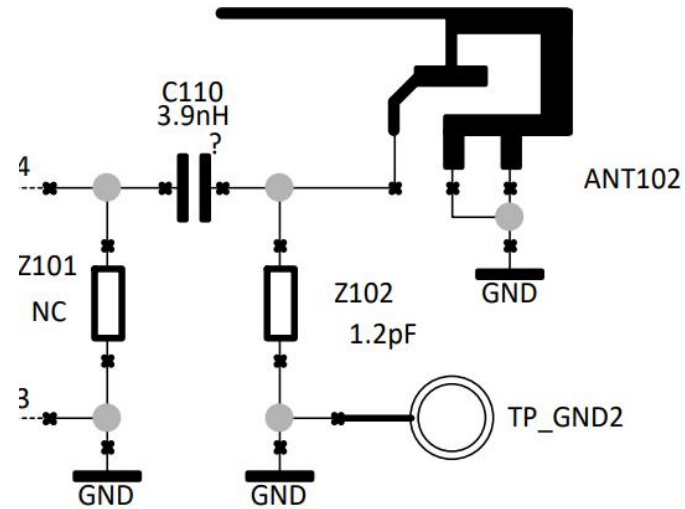
P27WLC V2 Antenna Measure 2024-01-26
OSM Huizhou

Revision	Date	Author	Change Description	Approved By
01A	2024-01-26	Zack	Initial draft	

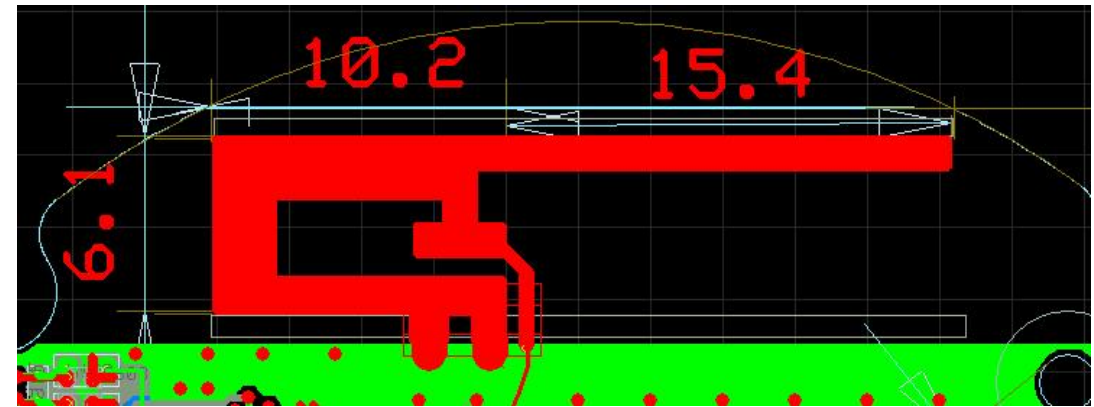
Table of Contents

- 1. Antenna type and gain
- 2. Antenna VSWR.

1.Type , sizes , material and Antenna Gain



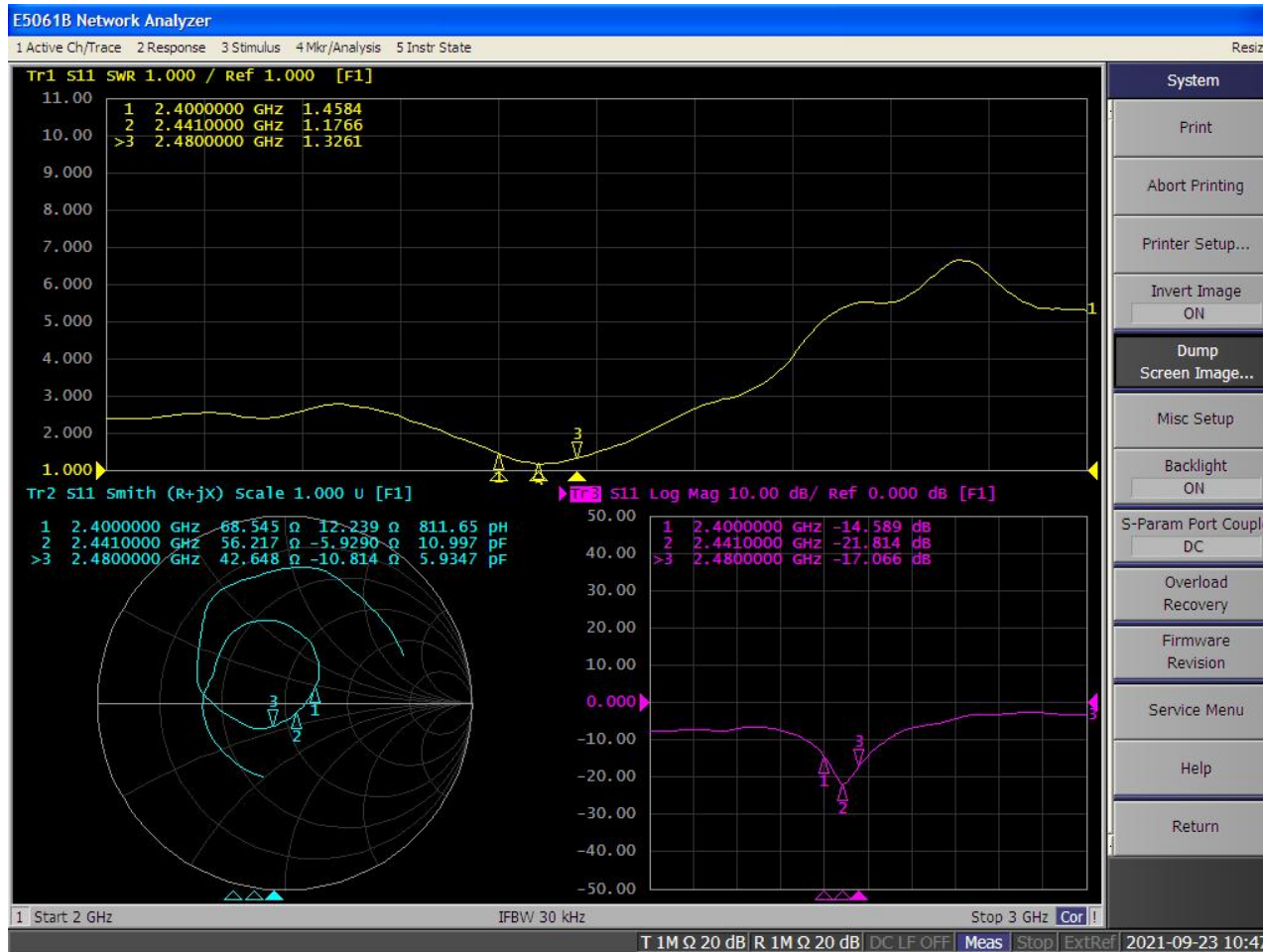
Unit: mm



ANT Model: ANT Mode 2.45GH BT ANT
ANT Type: PCB ANT
ANT Gain: 0 dBi
ANT Frequency: 2400-2500MHz

manufacturer: OSM HUIZHOU LIMITED
add.: A02, Taixiang Road, High-tech Industrial Park,
Sandong Town, Huicheng District Huizhou, Guangdong
Province, P.R.C 516025

2. Antenna VSWR , return lose test and TX power table

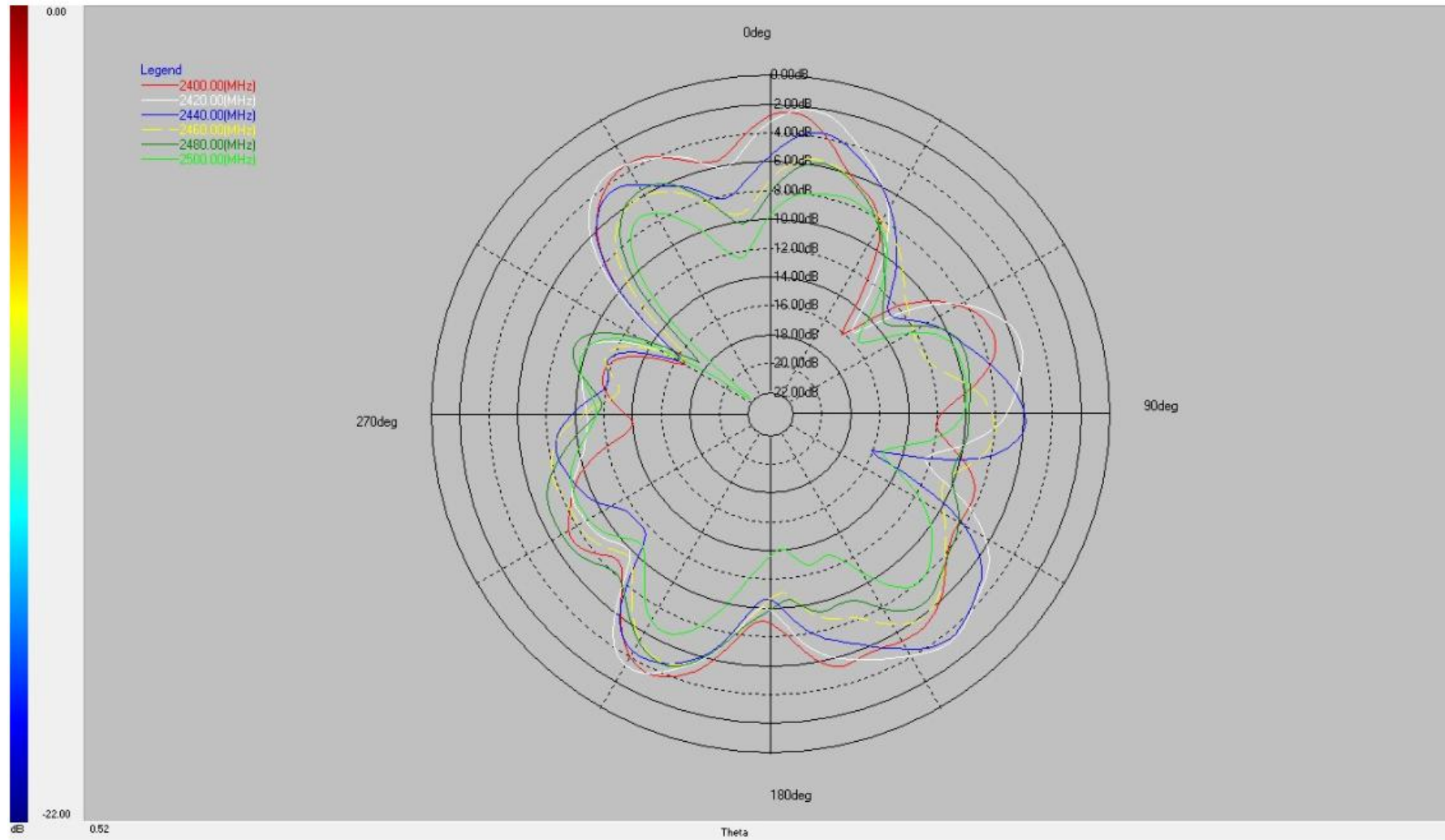


	BT	
TX Power (Direct connectinon)	2.5 dBm	

3. Antenna Efficiency , Gain table

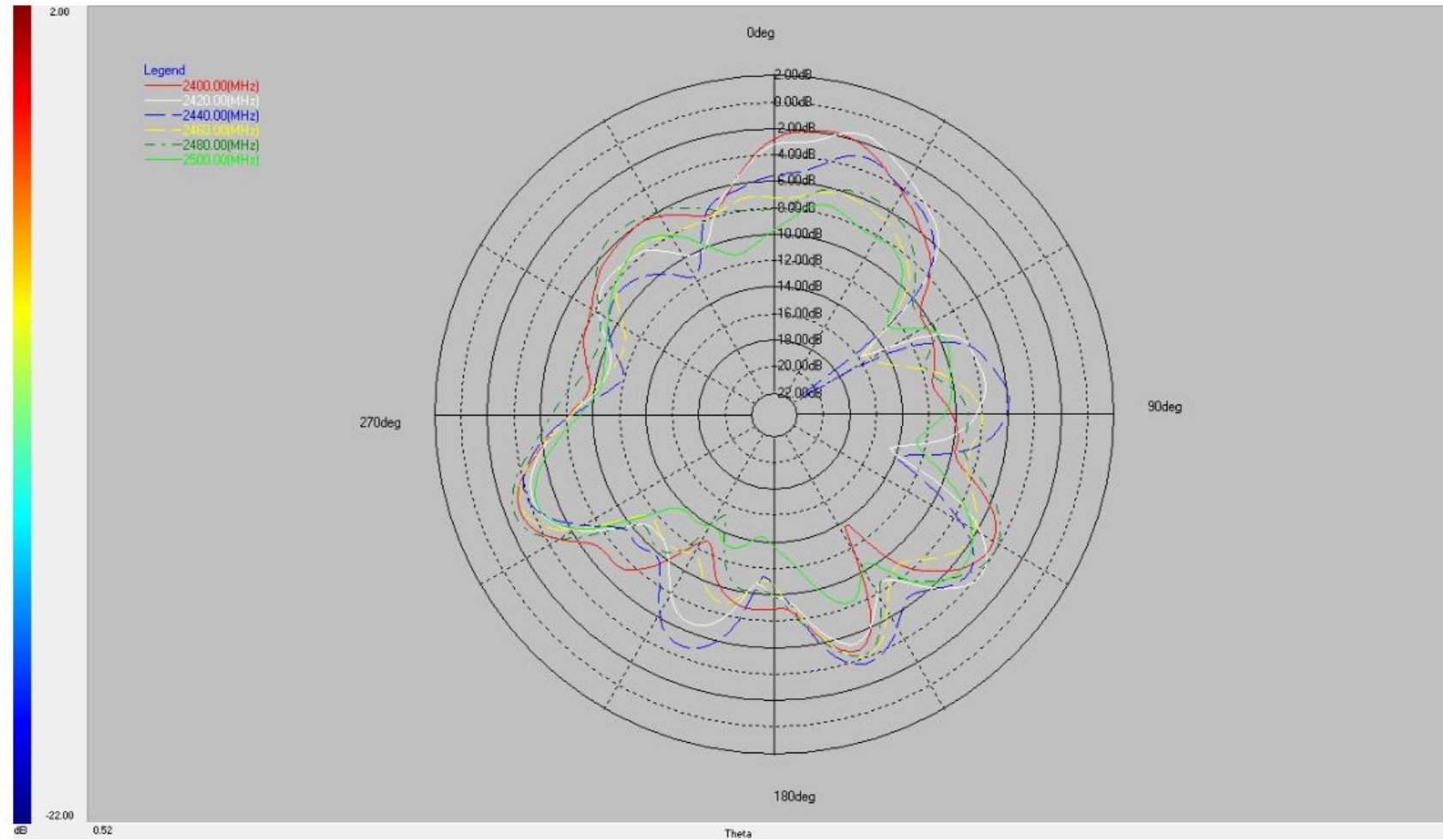
Freq_MHz	Gain(dBi)	Efficiency (dB)	Efficiency_ (%)
2400	-0.1	2.51	29.51%
2410	-0.11	1.89	28.32%
2420	-0.14	1.51	27.65%
2430	-0.12	1.43	29.97%
2440	0	1.01	26.89%
2450	-0.18	0.90	25.13%
2460	-0.16	0.69	25.87%
2470	-0.23	0.10	23.71%
2480	-0.33	0.18	24.51%
2490	-0.38	0.11	23.12%
2500	-0.36	0.23	23.43%

4. Field diagram Phi=0



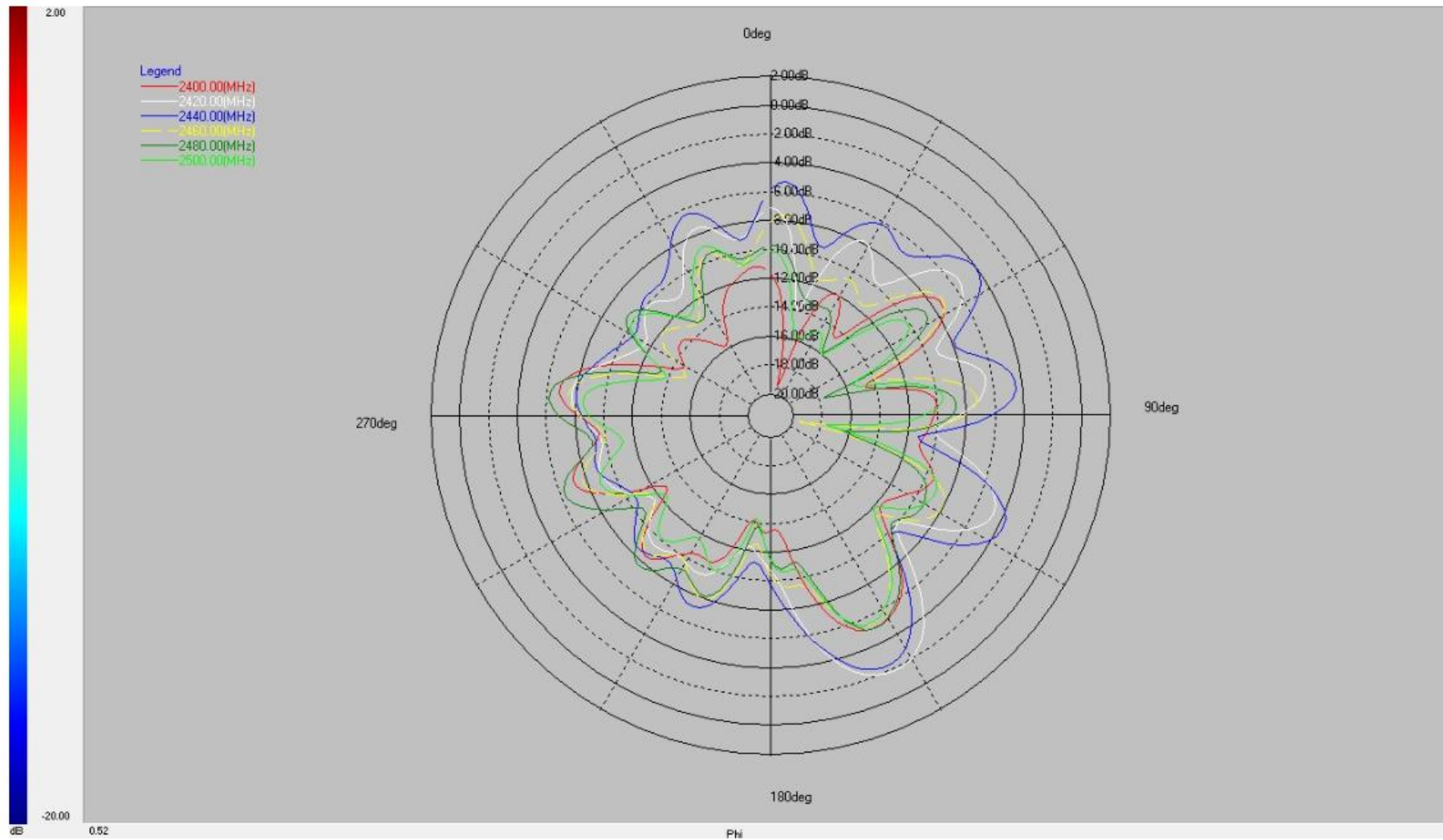
Phi=0

4. Field diagram Phi=90



Phi=90

4. Field diagram Theta=90



Theta=90

THANK YOU