

# PRODUCT SPECIFICATION AND MANUAL

2011.09

BUYER / PROJECT	SANGYONG / MT-IMMO-02
BUYER MODEL	
PART No.	
COMPANY	Mototech Co.,.
MAKER/NATION	Mototech Co.,./Republic of Korea
DRAFT PART	Research Center
DRAFTER	

---

<b>Title</b>	<b>Certification Request Document</b>		
<b>Project Name</b>		<b>Drawn</b>	
<b>Model Name</b>		<b>Released</b>	
		<b>Made by</b>	

## Table of Contents

1. CONTENTS..... 3

3. SPECIFICATION..... 4

4. DESCRIPTION ..... 5

<b>Title</b>	<b>Certification Request Document</b>		
<b>Project Name</b>		<b>Drawn</b>	
<b>Model Name</b>		<b>Released</b>	
		<b>Made by</b>	

## 1. Contents

- IMMO & RECHARGEABLE KEY

<b>Name</b>	Unit Ass'y IMMO & RECHARGEABLE KEY
<b>Use</b>	Encryption code communication ( protect thief)
<b>Summary</b>	<ol style="list-style-type: none"> <li>1. Immobilizer can protect vehicle thief</li> <li>2. Encryption code communication between transponder of transmitter and immobilizer</li> </ol>
<b>Composition</b>	Bobbin ( Coil )

## 2. ELECTRONIC CHARACTERISTICS

- IMMOBILIZER & RECHARGEABLE KEY

Name	Unit Ass'y Immo & Rechargeable Key
Operational operating temperature range	: -30°C / +80°C
Storage temperature	-40°C / +85°C
Operational voltage range	6V to 16V
Operational voltage range for CAN	6V to 18V
Dark Current	1.0mA

<b>Title</b>	<b>Certification Request Document</b>		
<b>Project Name</b>		<b>Drawn</b>	
<b>Model Name</b>		<b>Released</b>	
		<b>Made by</b>	

### 3. SPECIFICATION

- IMMOBILIZER Antenna

COIL INDUCTANCE	420uH $\pm$ 20
COIL TURNS	95T
COIL WIRE	RICH WIRE (TBD)
MODULATION	ASK
INPUT/OUTPUT FREQUENCY	134.2kHz $\pm$ 4KHz/PWM
ANT CABLE	TWIST - RICH WIRE (TBD)

- Transponder

FREQUENCY	134.2kHz $\pm$ 4KHz
OPERATION TEMP	-40°C - +85°C

<b>Title</b>	<b>Certification Request Document</b>		
<b>Project Name</b>		<b>Drawn</b>	
<b>Model Name</b>		<b>Released</b>	
		<b>Made by</b>	

### 4. DESCRIPTION

- System construction of Immobilizer

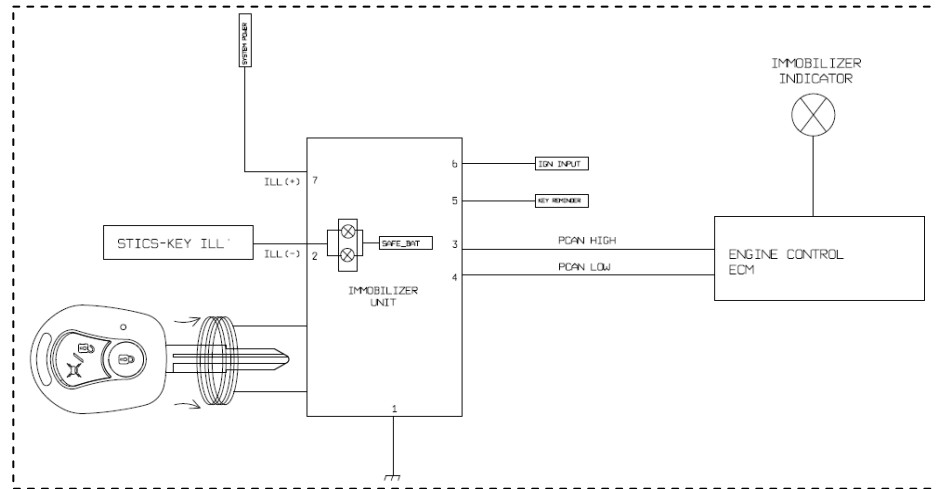


그림 1. Immo & Rechargeable Key Block Diagram

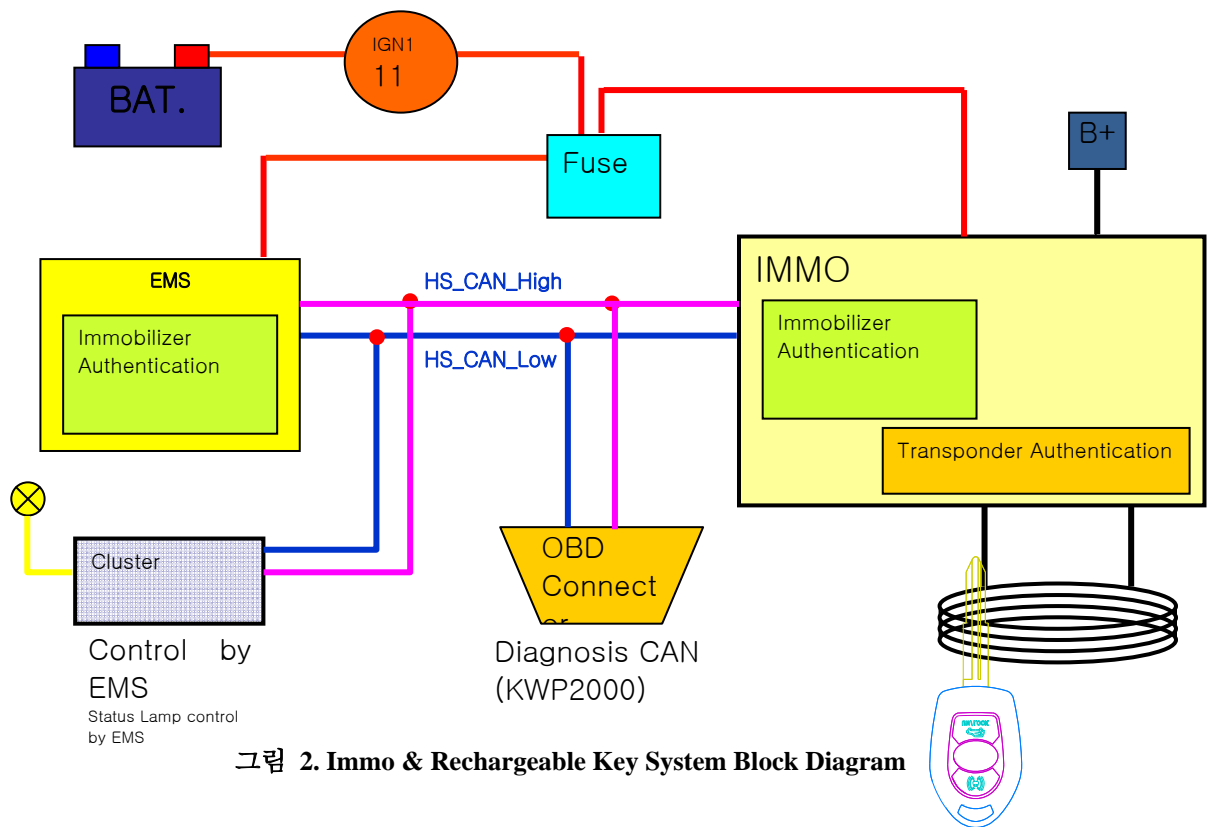


그림 2. Immo & Rechargeable Key System Block Diagram

Title		Certification Request Document	
Project Name		Drawn	
Model Name		Released	
		Made by	

(1) A car key is inserted into a key-lock body and the key is put IGN\_ON position, Immobilizer & Rechargeable Key Set UNIT accomplishes the DIAGNOSIS.

(2) After completing the DIAGNOSIS, UNIT

#### **FCC (Federal Communications Commission)**

WARNING: This equipment may generate or use radio frequency energy.

Changes or modifications to this equipment may cause harmful interference unless the modifications are expressly approved in the instruction manual.

The user could lose the authority to operate this equipment if an unauthorized change or modification is made.

This device complies with Part 15 of the FCC's Rules. Operation is subject to the following two Conditions:

1. This device may not cause harmful interference, and
2. This device must accept ant interference received, including interference that may cause undesirable operation.

<b>Title</b>	<b>Certification Request Document</b>		
<b>Project Name</b>		<b>Drawn</b>	
<b>Model Name</b>		<b>Released</b>	
		<b>Made by</b>	