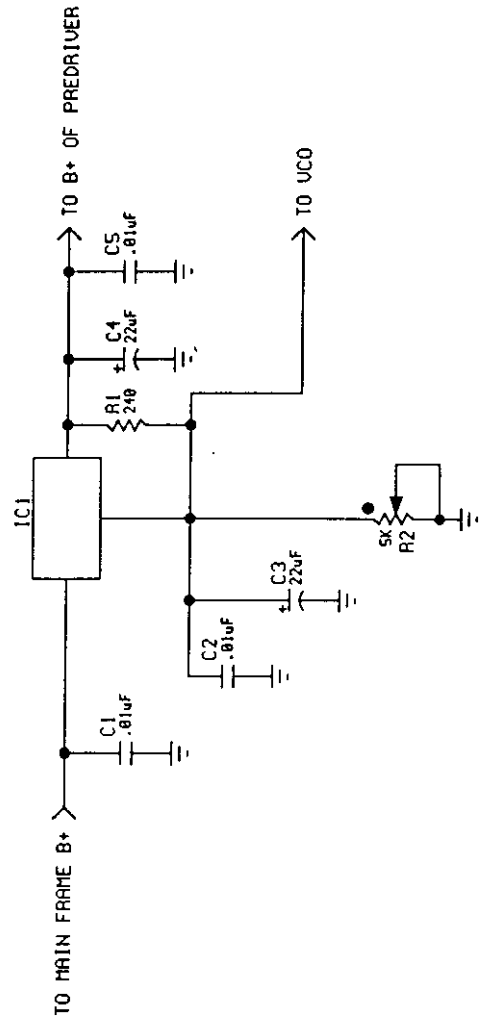


CAUTION: THESE TRANSISTORS USE BERYLLIUM OXIDE CERAMICS IN THEIR CONSTRUCTION. ANY MECHANICAL OR CHEMICAL TREATMENT OF THESE CERAMICS WHICH PRODUCES DUST OR FUMES, EVEN IN MINUTE AMOUNTS, CAN BE DEADLY!

COPYRIGHT © 1997 MARTELECTRONICS, INC

- SRPT-40E/450 RF AMPLIFIER CIRCUIT BOARD - 800-170A4E
- SRPT-40E/300 RF AMPLIFIER CIRCUIT BOARD -
- SRPT-40E/215 RF AMPLIFIER CIRCUIT BOARD - 800-170A2E
- SRPT-40E/150 RF AMPLIFIER CIRCUIT BOARD - 800-170A1E

REVISIONS		DESCRIPTION		DATE	BY	APPROVED	EDN



COPYRIGHT © 1988 BROADCAST ELECTRONICS, INC.

**BE** BROADCAST ELECTRONICS, INC.  
 4188 N. 24TH ST., P.O. BOX 3886 QUINCY, IL 62296  
 217/224-9688 FAX 217/224-9687

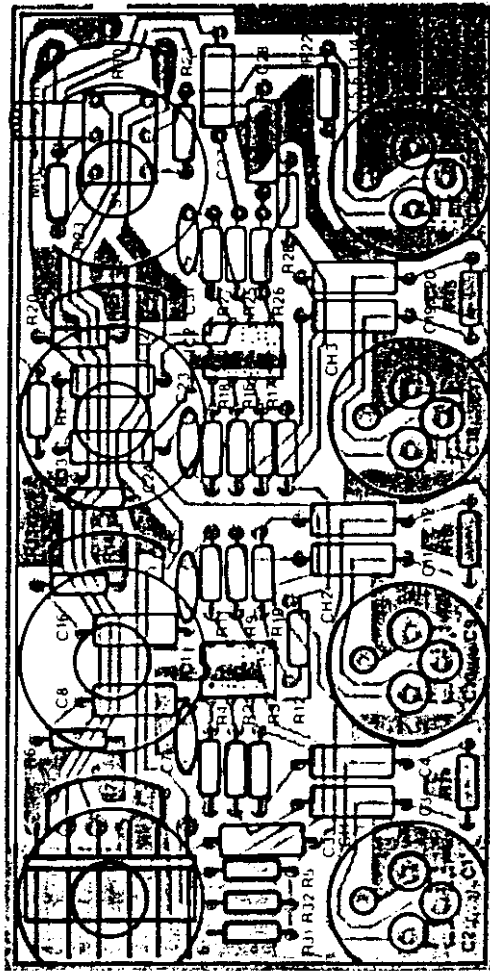
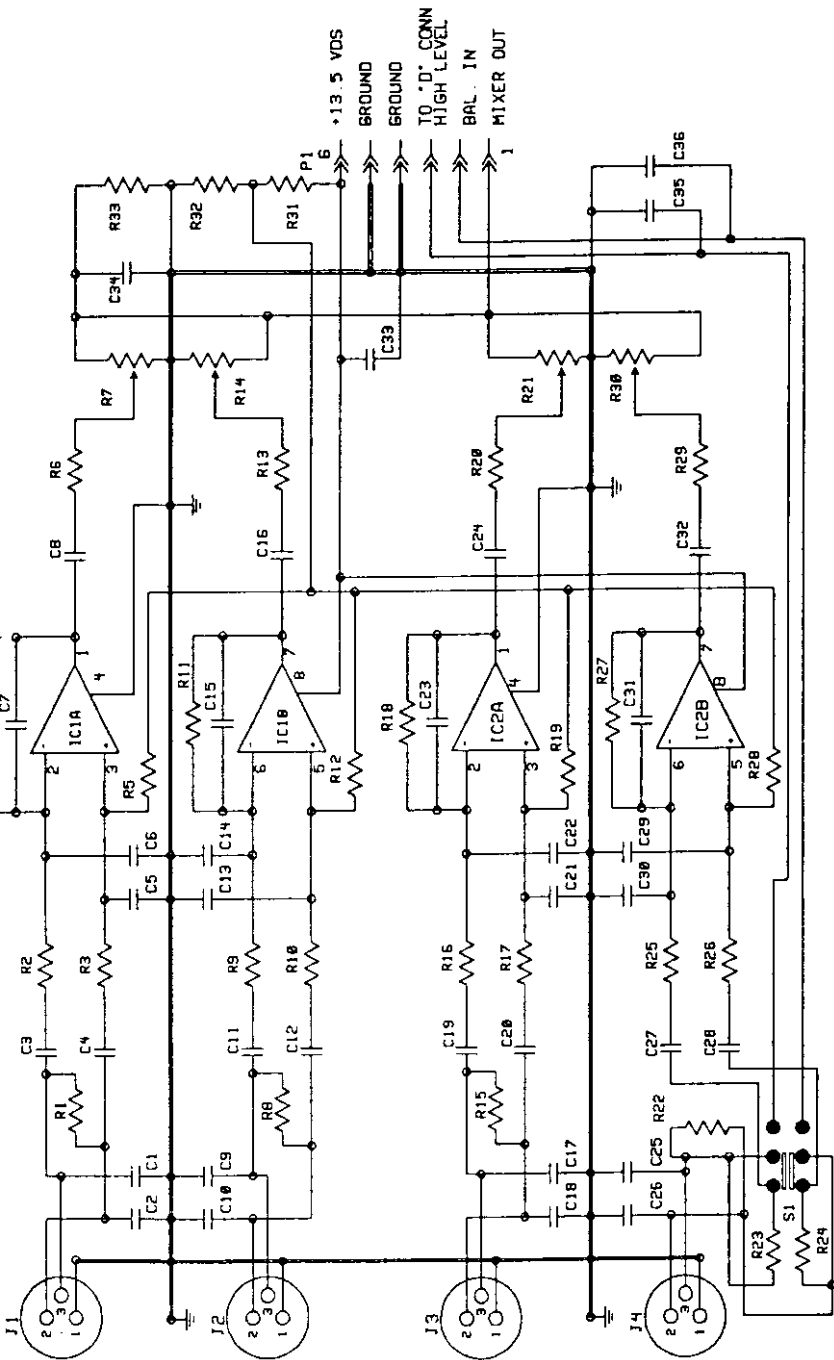
TITLE: PCB ASSY  
 REGULATOR CIRCUIT PCB  
 Dwg. No. 800-168-1AE  
 MODEL: MARTI  
 SCALE: NONE  
 SHEET 1 OF 1

SEE BOM  
 FINISH  
 NEXT ASSY.

DESIGNER(S)  
 PROJ. LEADER  
 PFD.

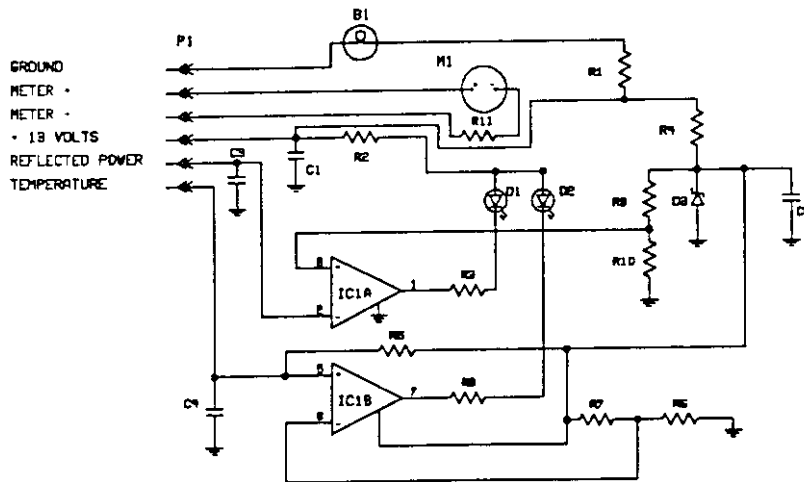
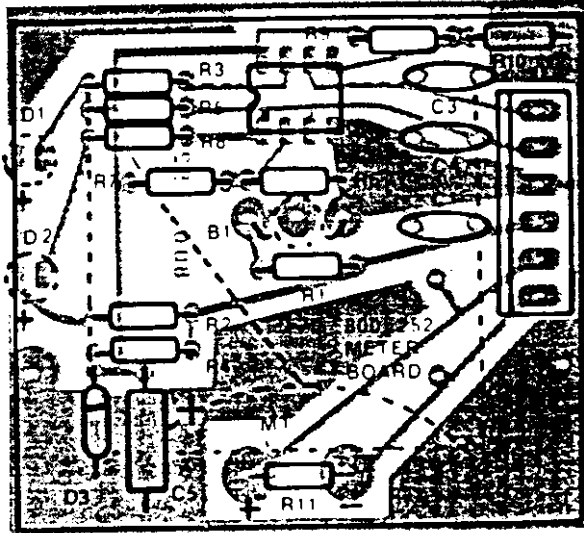
PROPRIETARY RIGHTS are included in this document. Information is submitted in confidence and neither this document nor the information disclosed herein shall be reproduced or transferred to other documents or used or disclosed to others for manufacturing or for any other purpose except as specifically authorized in writing by BROADCAST ELECTRONICS, INC.

TOLEANCE (DECIMAL) U.O.S.  
 .+/- .000  
 .+/- .005  
 .+/- .015  
 ANGLES L 1°



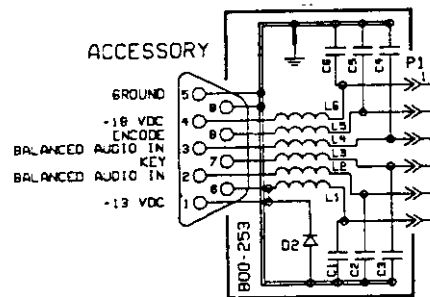
RPT-30 PRE-AMPLIFIER MIXER CIRCUIT BOARD 800-251A

COPYRIGHT © 1997 MARTI ELECTRONICS, INC.



COPYRIGHT © 1997 MARTI ELECTRONICS, INC

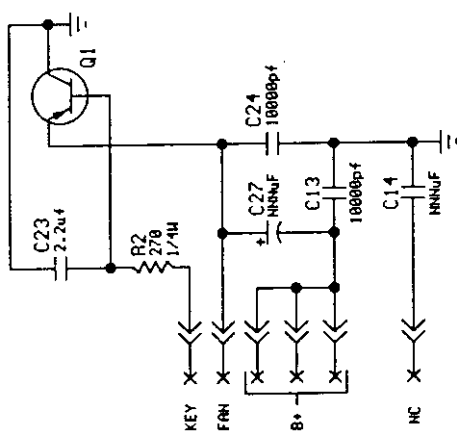
RPT-30/STL-30 METER CIRCUIT BOARD - 800-252A



COPYRIGHT © 1997 MARTI ELECTRONICS, INC

**RPT-30/STL-30 ACCESSORY CONNECTOR CIRCUIT BOARD - 800-253A**

REVISIONS		DESCRIPTION		APPROVED		ECH	
REV	DATE						



COPYRIGHT © 1985 BROADCAST ELECTRONICS, INC.

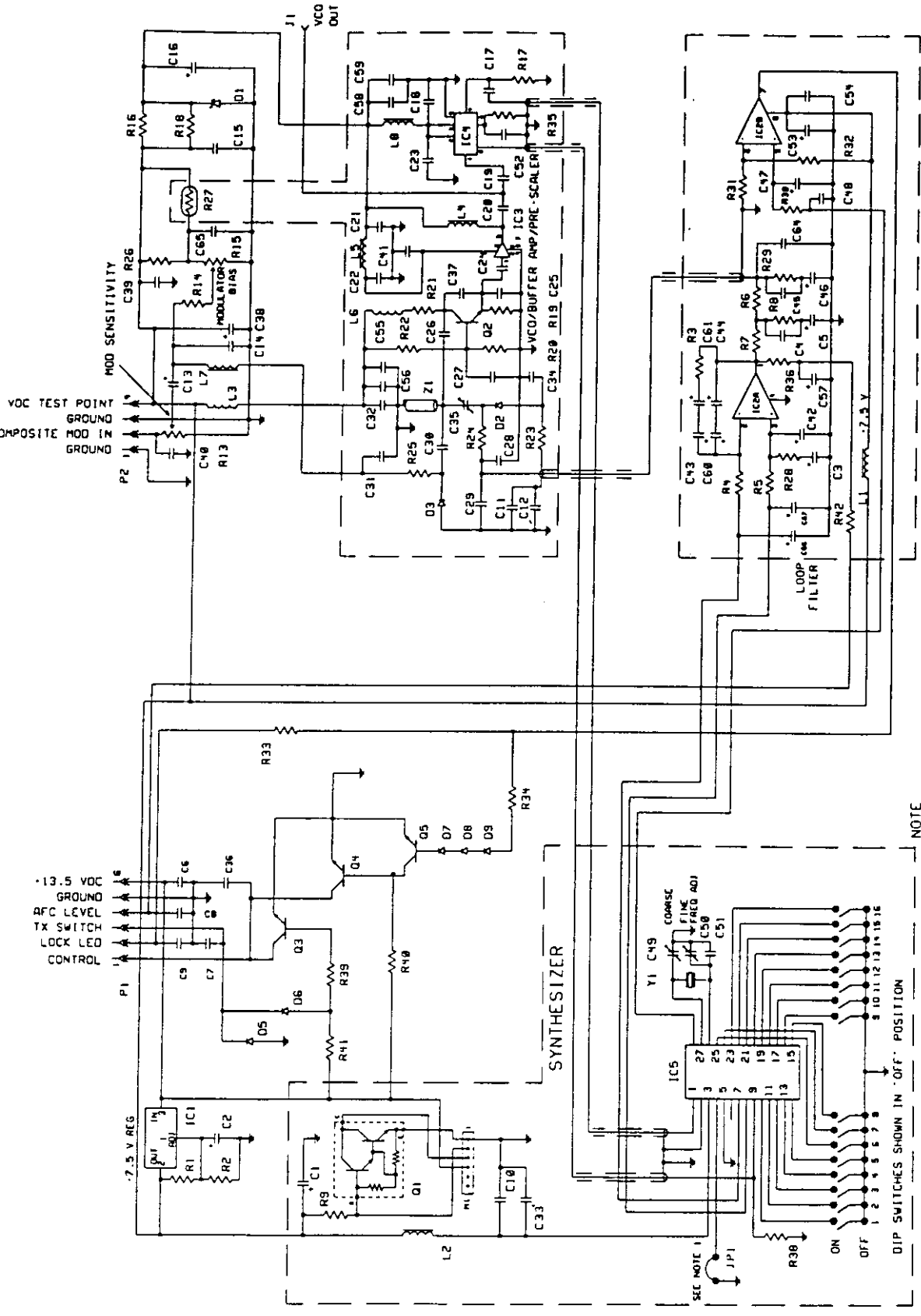
**BE** BROADCAST ELECTRONICS, INC.  
 4100 N. 24TH ST., P.O. BOX 3606 QUINCY, IL 62286  
 217/224-9600 FAX 217/224-9607

TITLE		PCB ASSY	
TYPE	SIZE	REV	NO.
S	B	1	1
MODEL	MART1	SCALE	NONE
		SHEET	1 OF 1

DATE	BY	DATE	BY
		11-1-97	
DESIGNER(S)		PROJ. LEADER	
MATERIAL		SEE BOM	
FINISH			
NEXT ASSY.			

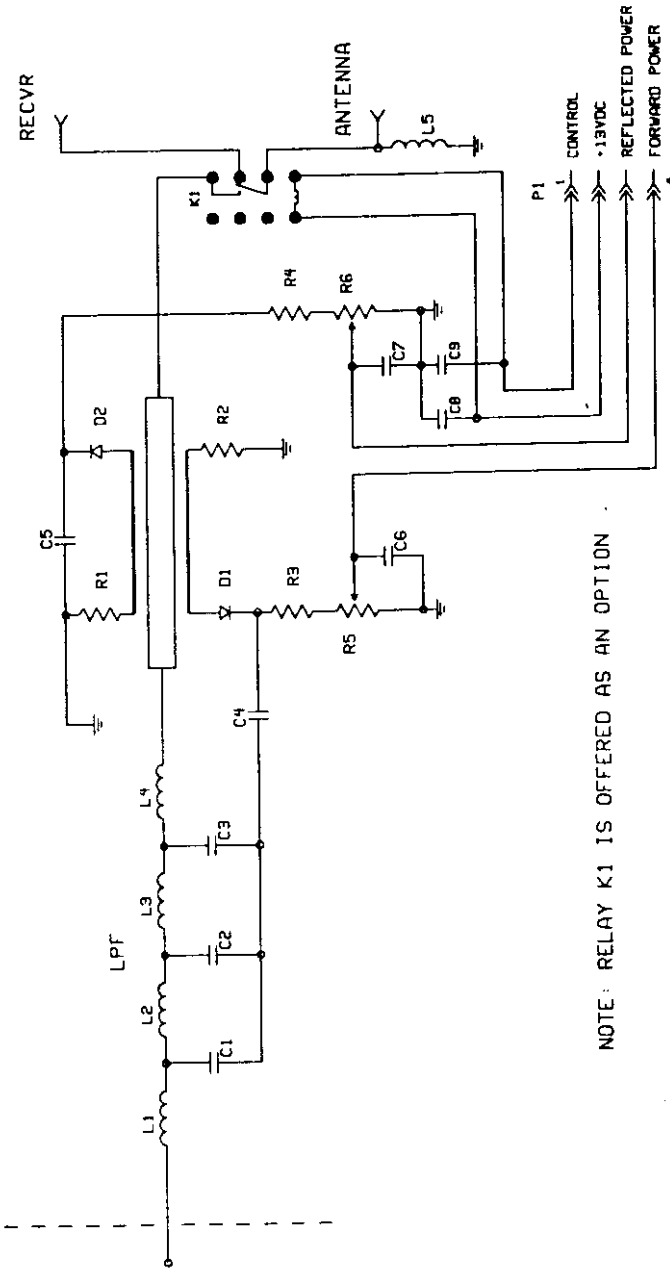
PROPRIETARY RIGHTS are included in information disclosed herein. This information is submitted in confidence and neither the manufacturer nor the recipient shall disclose, reproduce, or use or disclose to others for manufacturing or for any other purpose except as specifically authorized in writing by BROADCAST ELECTRONICS, INC.

TOLERANCE (DECIMAL) U.O.S.  
 .XX 2 .000 .005  
 .XX 2 .015 .1

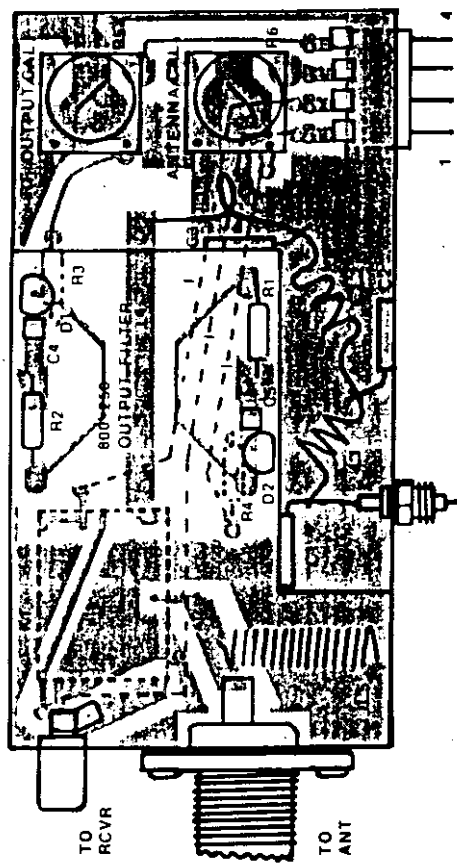


COPYRIGHT © 1997 MARTI ELECTRONICS, INC

- SRPT-40E/450 FREQUENCY SYNTHESIZER CIRCUIT BOARD - 800-287A4ET
- SRPT-40E/300 FREQUENCY SYNTHESIZER CIRCUIT BOARD - 800-305A3ET
- SRPT-40E/215 FREQUENCY SYNTHESIZER CIRCUIT BOARD - 800-305A2ET
- SRPT-40E/150 FREQUENCY SYNTHESIZER CIRCUIT BOARD - 800-305A1ET



NOTE: RELAY K1 IS OFFERED AS AN OPTION.

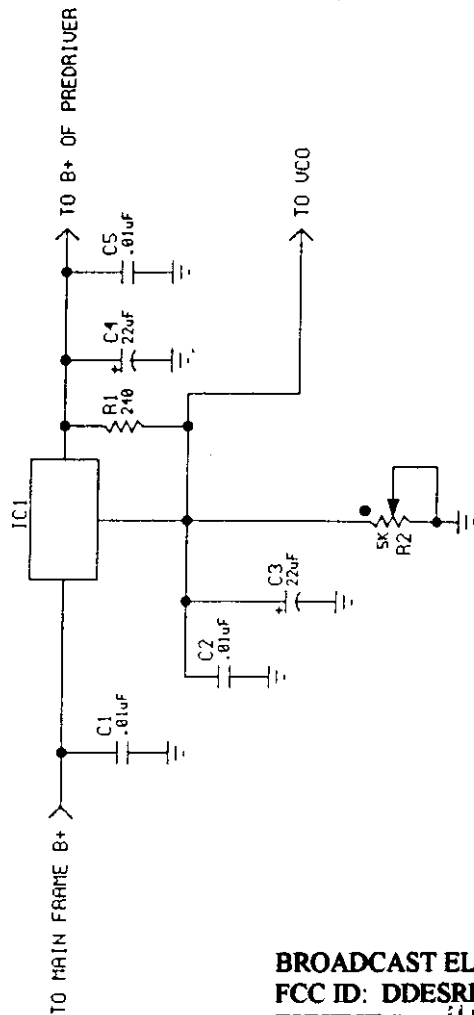


COPYRIGHT © 1997 MARTI ELECTRONICS, INC

- RPT-30/215 OUTPUT FILTER CIRCUIT BOARD - 800-306A2
- RPT-30/STL-30450 OUTPUT FILTER CIRCUIT BOARD - 800-250A4
- RPT-30/150 OUTPUT FILTER CIRCUIT BOARD - 800-306A1



REV		DATE		REVISIONS		DESCRIPTION		DRAWN		APPROVED		EIN	



**BROADCAST ELECTRONICS INC.**  
**FCC ID: DDESRPT-40E-150**  
**EXHIBIT #: 4A**

COPYRIGHT © 1985 BROADCAST ELECTRONICS, INC.

**BE** BROADCAST ELECTRONICS, INC.  
 4180 N. 24TH ST., P.O. BOX 8888, QUINCY, IL. 62305  
 217/221-8686 FAX 217/221-9887

TITLE: PCB ASSY  
 REGULATOR CIRCUIT PCB

TYPE SIZE Dwg. NO.  
 S B 800-168-1AE

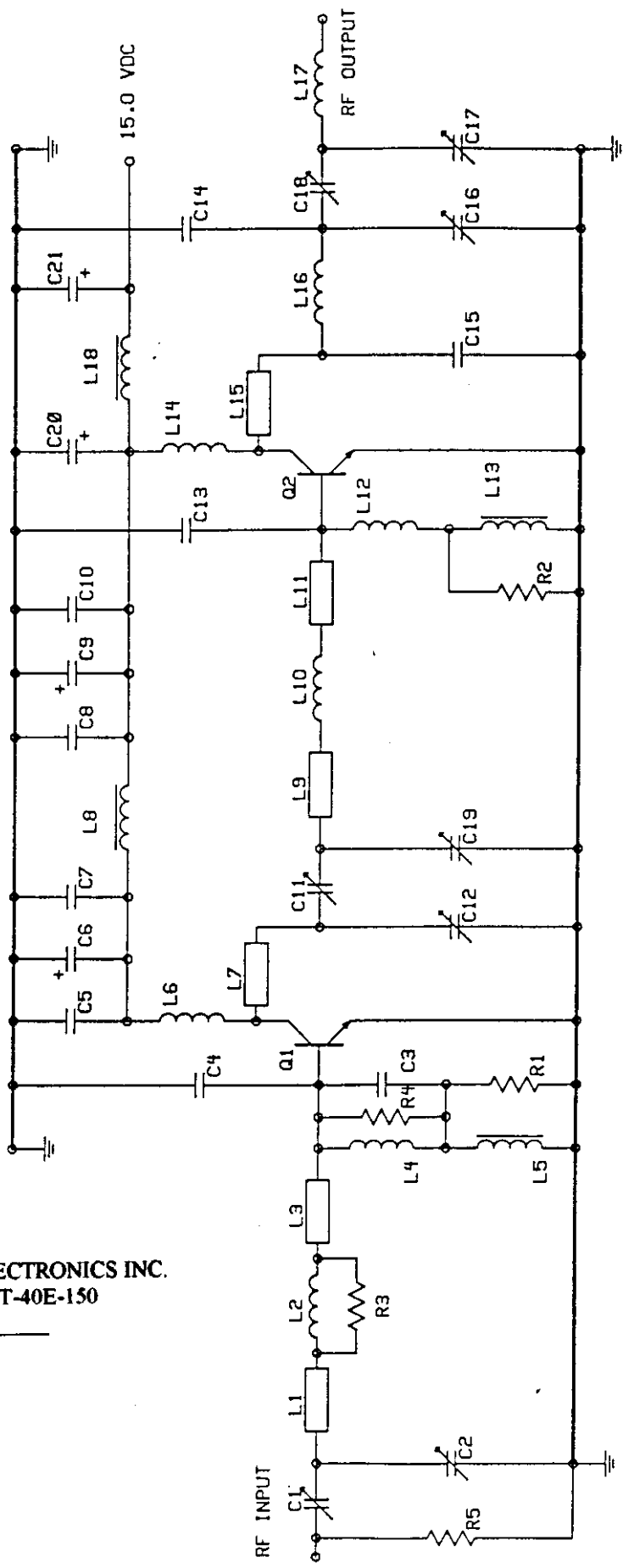
MODEL PART I SCALE NONE SHEET 1 OF 1

DESIGN BY: MSE 8-7-97	MATERIAL: SEE BOM
DESIGNER(S):	FINISH: /
PROD. LEADER:	NEXT ASSY:
NO.	

PROPRIETARY RIGHTS are included in information disclosed herein. This information is submitted in confidence and the recipient may not be permitted to disseminate, reproduce, or transfer to other documents or used or disclosed to others for manufacturing or for any other purpose except as specifically authorized in writing by BROADCAST ELECTRONICS, INC.

TOLENANCE (DECIMAL) U.O.S.  
 \*\*.1 ± .008     \*\*.005 ± .005  
 \*\*.001 ± .015     \*\*.005 ± .010

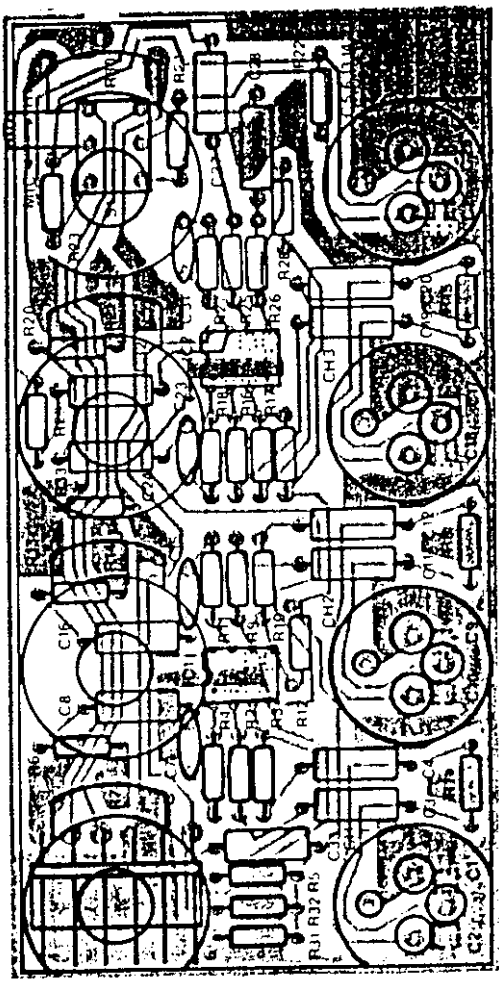
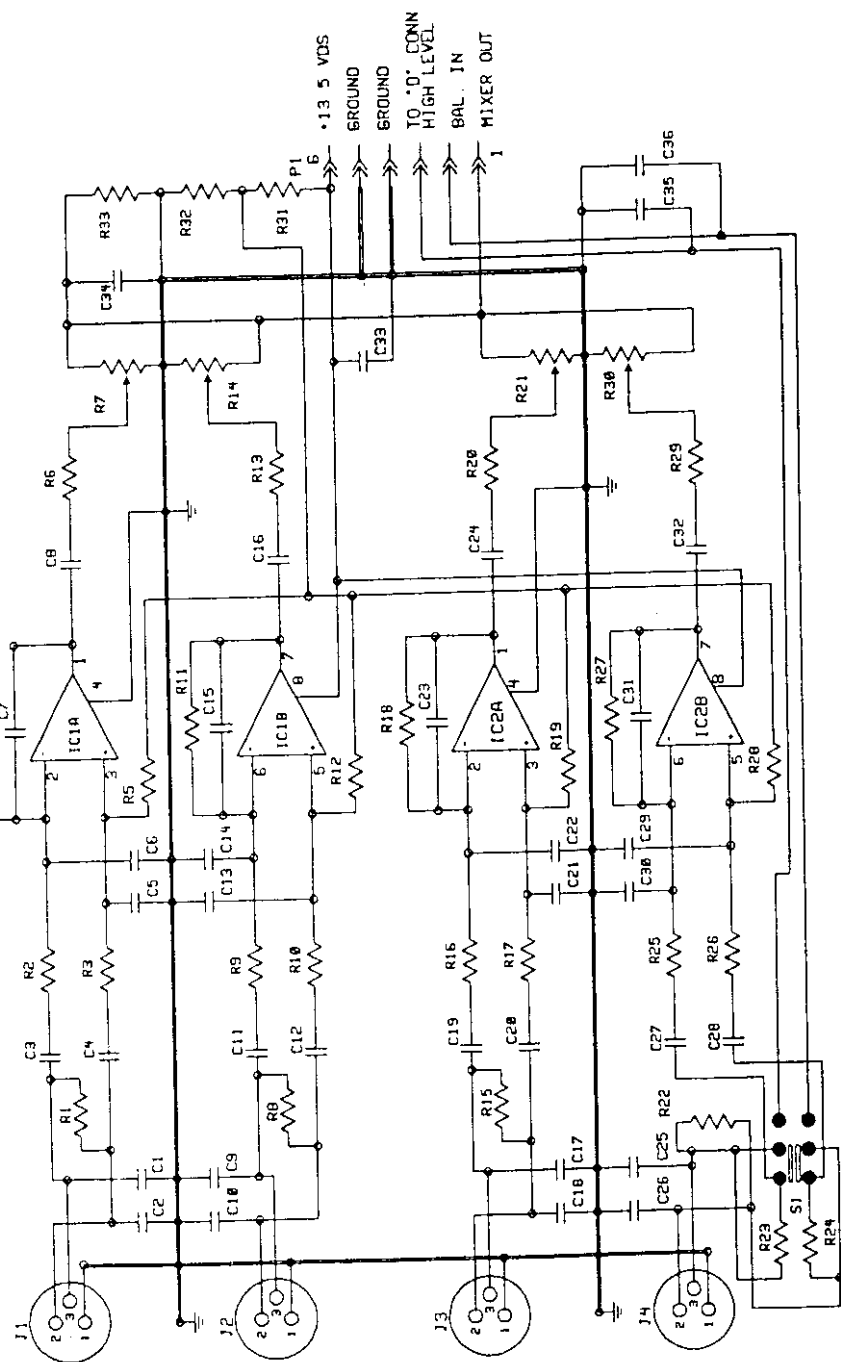
BROADCAST ELECTRONICS INC.  
 FCC ID: DDES RPT-40E-150  
 EXHIBIT #: 40



CAUTION: THESE TRANSISTORS USE BERYLLIUM OXIDE CERAMICS IN THEIR CONSTRUCTION.  
 ANY MECHANICAL OR CHEMICAL TREATMENT OF THESE CERAMICS WHICH  
 PRODUCES DUST OR FUMES, EVEN IN MINUTE AMOUNTS, CAN BE DEADLY!

COPYRIGHT © 1997 MARTI ELECTRONICS, INC

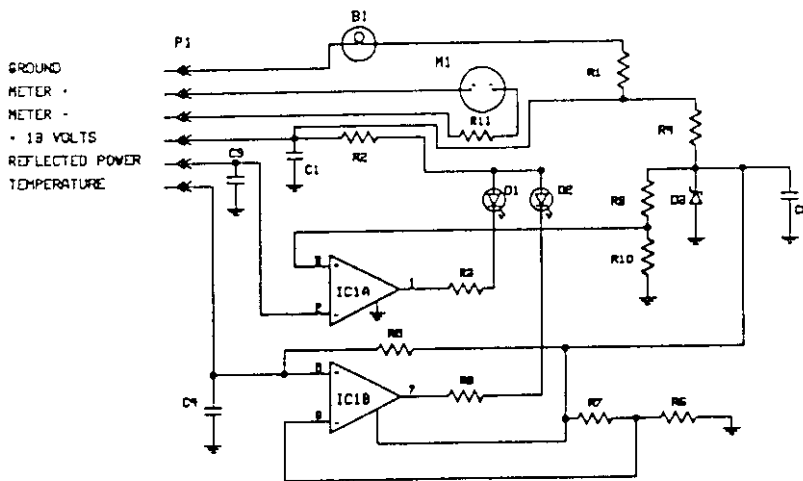
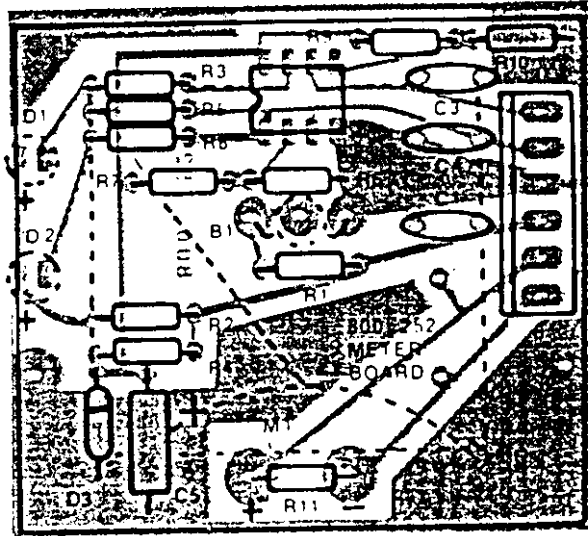
SRPT-40E/450 RF AMPLIFIER CIRCUIT BOARD - 800-170A4E  
 SRPT-40E/300 RF AMPLIFIER CIRCUIT BOARD -  
 SRPT-40E/215 RF AMPLIFIER CIRCUIT BOARD - 800-170A2E  
 SRPT-40E/150 RF AMPLIFIER CIRCUIT BOARD - 800-170A1E



BROADCAST ELECTRONICS INC.  
 FCC ID: DDES RPT-40E-150  
 EXHIBIT #: 4C

RPT-30 PRE-AMPLIFIER MIXER CIRCUIT BOARD 800-251A

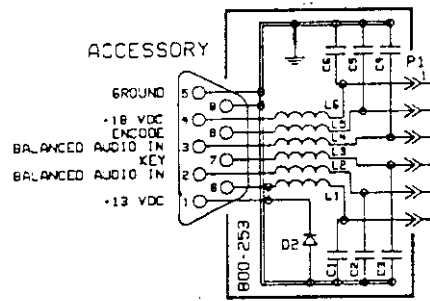
COPYRIGHT © 1997 MARTI ELECTRONICS, INC.



BROADCAST ELECTRONICS INC.  
 FCC ID: DDESRPT-40E-150  
 EXHIBIT #: 4d

COPYRIGHT © 1997 MARTI ELECTRONICS, INC

RPT-30/STL-30 METER CIRCUIT BOARD - 800-252A

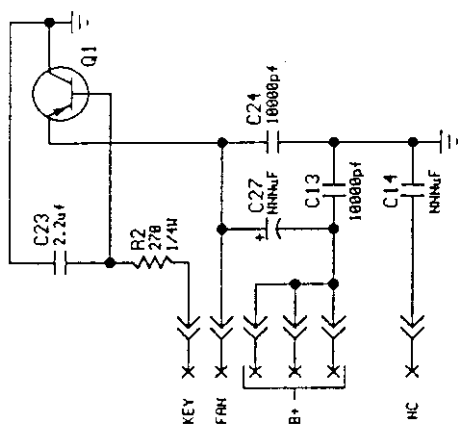


**BROADCAST ELECTRONICS INC.**  
**FCC ID: DDES RPT-40E-150**  
**EXHIBIT #: 4e**

COPYRIGHT © 1997 MARI: ELECTRONICS, INC

RPT-30/STL-30 ACCESSORY CONNECTOR CIRCUIT BOARD - 800-253A

REV	DATE	DESCRIPTION	DRAWN	APPROVED	ECH

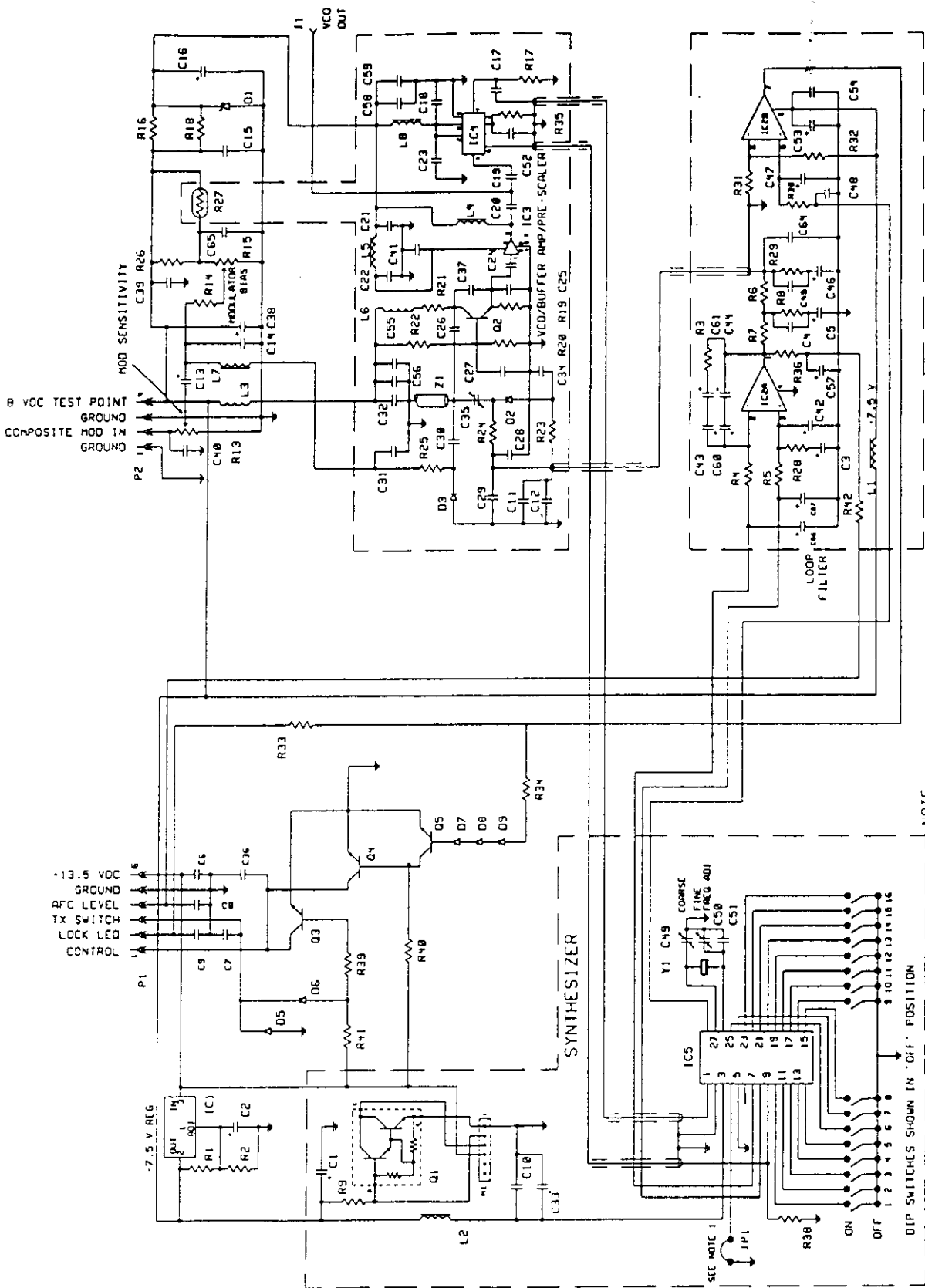


**BROADCAST ELECTRONICS INC.**  
**FCC ID: DDESRPT-40E-150**  
**EXHIBIT #: 4F**

**BROADCAST ELECTRONICS INC.**  
 4180 N. 24TH ST., P.O. BOX 3685 GULF BAY, FL. 32062  
 317/224-5888 FAX 317/224-5887

TITLE		PCB ASSY	
TYPE	SIZE	REV	REV
S	B	800-255A	1
DRAWN BY		SOLDER NONE	
PROJ. LEADER		SHEET 1 OF 1	

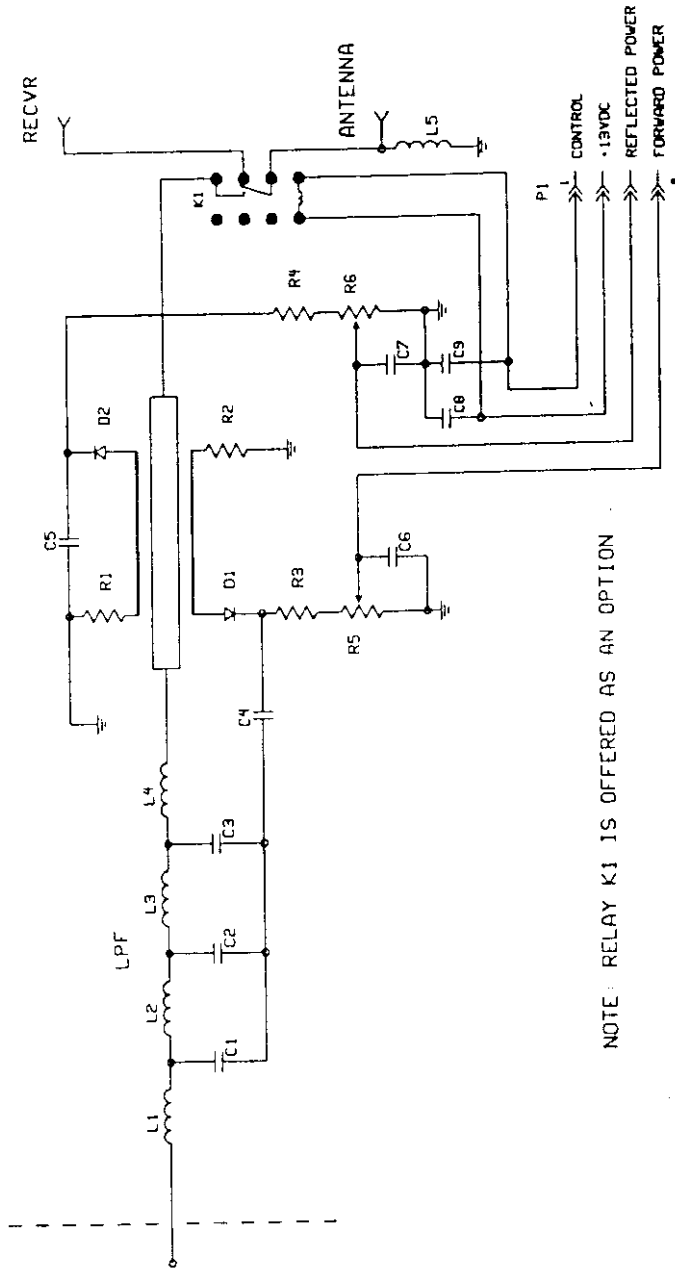
DATE	BY	DESCRIPTION
11-11-97	RSE	DESIGNER
MATERIAL		
SEE BOM		
FINISH		
NEXT ASSY.		
TOLERANCE (DECIMAL) U.O.S.		
.X ± .030 .XXX ± .005		
.XX ± .015 .XXX ± .1*		



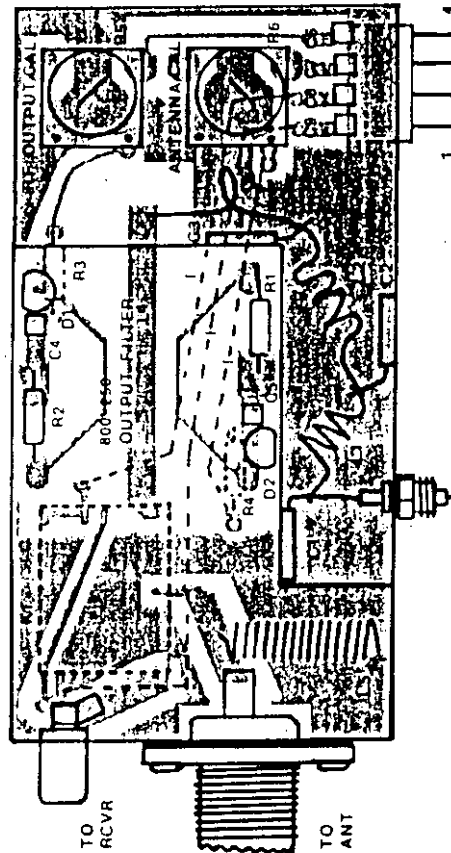
COPYRIGHT © 1997 MARTI ELECTRONICS, INC

SRPT-40E/450 FREQUENCY SYNTHESIZER CIRCUIT BOARD - 800-287A4ET  
 SRPT-40E/300 FREQUENCY SYNTHESIZER CIRCUIT BOARD - 800-305A3ET  
 SRPT-40E/215 FREQUENCY SYNTHESIZER CIRCUIT BOARD - 800-305A2ET  
 SRPT-40E/150 FREQUENCY SYNTHESIZER CIRCUIT BOARD - 800-305A1ET

BROADCAST ELECTRONICS INC.  
 FCC ID: DDESRPT-40E-150  
 EXHIBIT #: 4g



NOTE: RELAY K1 IS OFFERED AS AN OPTION

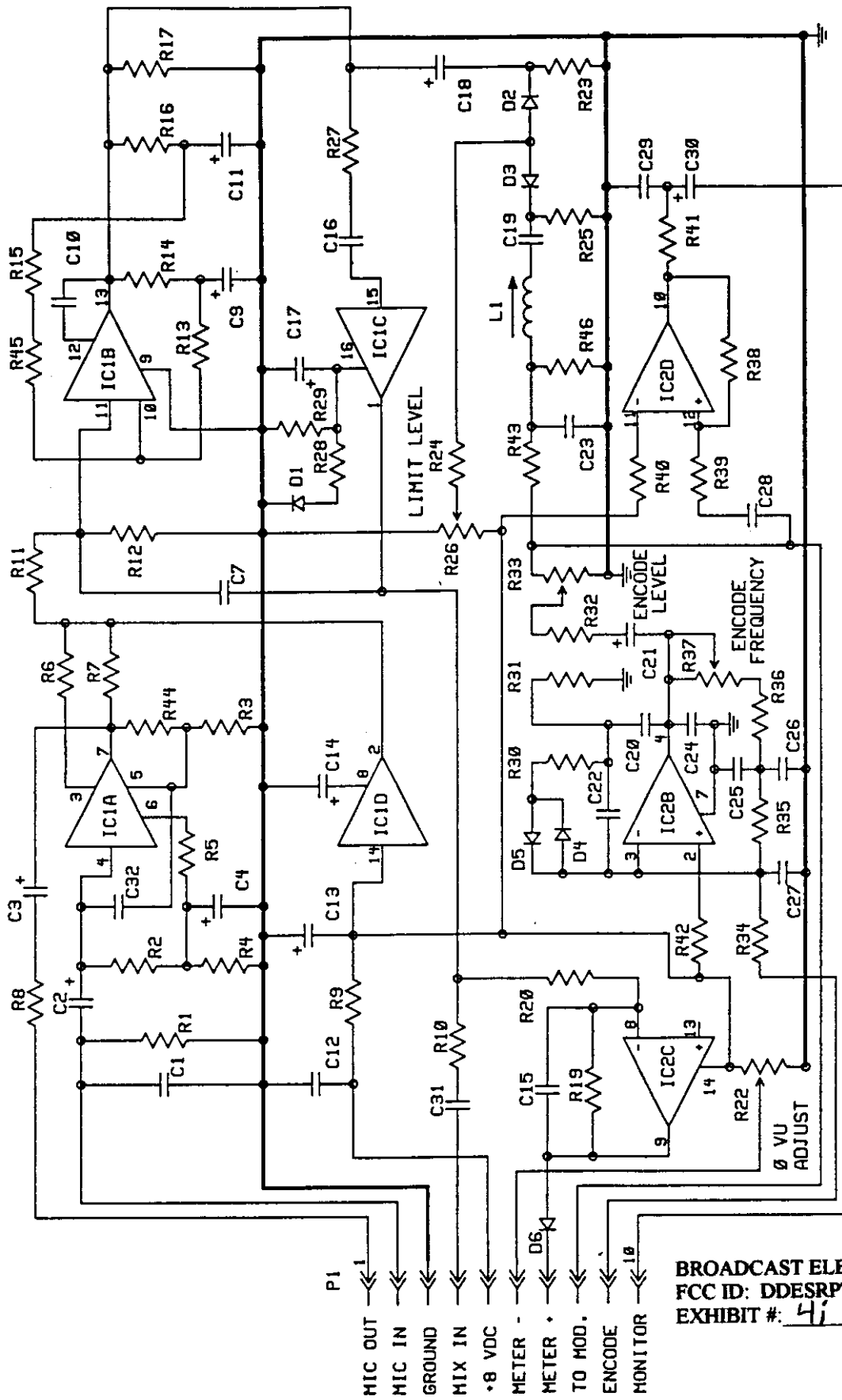


- RPT-30/215 OUTPUT FILTER CIRCUIT BOARD - 800-306A2
- RPT-30/STL-30450 OUTPUT FILTER CIRCUIT BOARD - 800-250A4
- RPT-30/150 OUTPUT FILTER CIRCUIT BOARD - 800-306A1

BROADCAST ELECTRONICS INC.  
 FCC ID: DDES RPT-40E-150  
 EXHIBIT #: 4h

COPYRIGHT © 1997 MARTELECTRONICS, INC



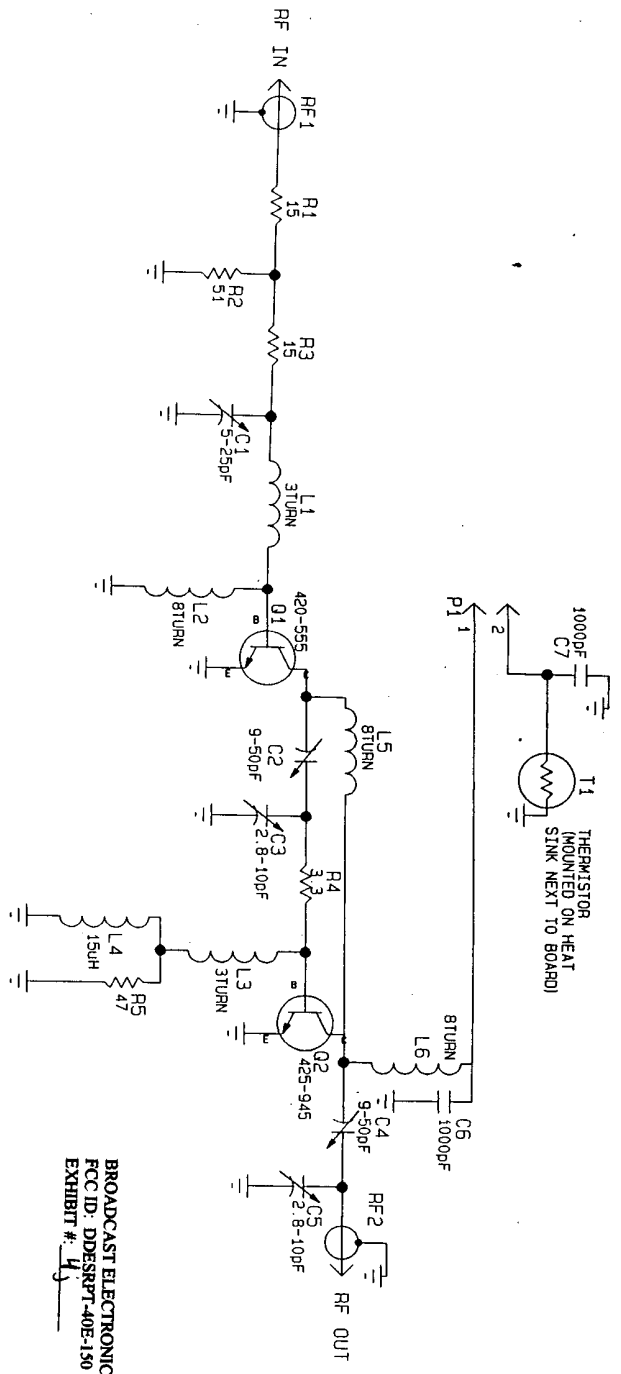


COPYRIGHT © 1977 MARTII ELECTRONICS, INC.

SRPT-40E AUDIO CIRCUIT BOARD - 800-166AE

BROADCAST ELECTRONICS INC.  
 FCC ID: DDESPT-40E-150  
 EXHIBIT #: 41

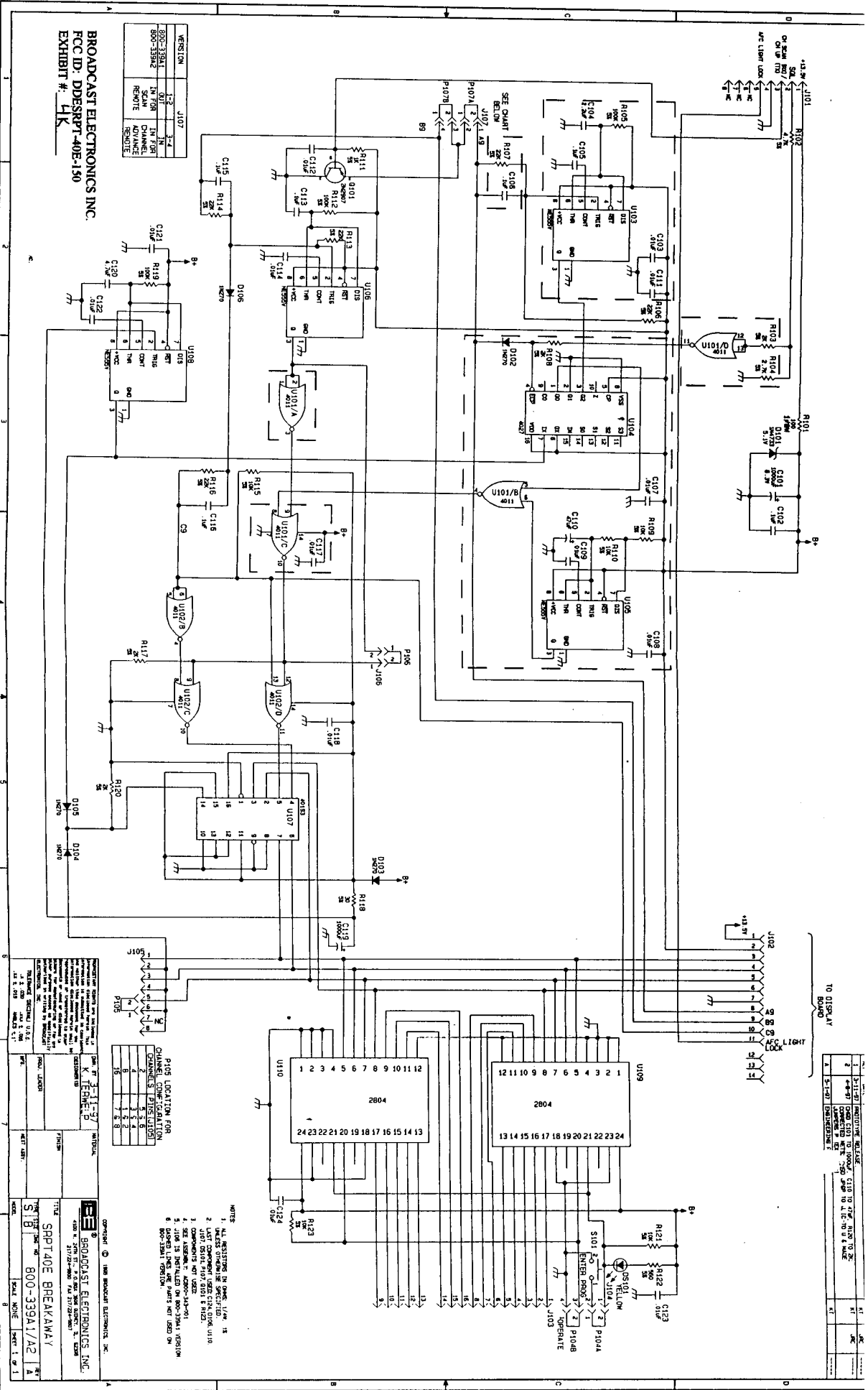
REV	DATE	DESCRIPTION	DRAWN	APPROVED	ENCL
1	2-21-97	PROTOTYPE RELEASE.	KT		----



BROADCAST ELECTRONICS INC.  
 FCC ID: DDESRT-40E-130  
 EXHIBIT #: 14

PROPRIETARY RIGHTS are included in information disclosed herein. This information is submitted in confidence and neither this document nor the information disclosed herein shall be reproduced or transferred to other persons for manufacturing or for any other purpose except as specifically authorized in writing by BROADCAST ELECTRONICS, INC.		DMN. BY <b>K. TERWELP</b> DESIGNER(S)	MATERIAL FINISH NEXT ASSY.
TOLERANCE (DECIMAL) U.O.S. .x ± .030 .xxx ± .005 .xx ± .015 ANGLES ± 1°	PROD. LEADER	TITLE <b>RF DRIVER BOARD</b>	TYPE SIZE DWG. NO. REV <b>S B 800-338A2/A4/A1 1</b>
MFG.		MODEL SCALE NONE SHEET 1 OF 1	COPYRIGHT © 1997 BROADCAST ELECTRONICS, INC.

SRPT-40E/450 MHZ RF PRE-DRIVER CIRCUIT BOARD - 800-338A4  
 SRPT-40E/215 MHZ RF PRE-DRIVER CIRCUIT BOARD - 800-338A2  
 SRPT-40E/150 MHZ RF PRE-DRIVER CIRCUIT BOARD - 800-338A1  
 (54)



VERSION	1-2	3-4
800-339A1	0/1	1/1
800-339A2	1/1	2/1
	IN FOR CHANNEL REPORT	IN FOR CHANNEL REPORT

BROADCAST ELECTRONICS, INC.  
 FCC ID: DDESRPT-40E-130  
 EXHIBIT #: 4K

REV	DATE	DESCRIPTION
1	11/15/81	INITIAL
2	11/15/81	REVISED
3	11/15/81	REVISED
4	11/15/81	REVISED
5	11/15/81	REVISED
6	11/15/81	REVISED
7	11/15/81	REVISED
8	11/15/81	REVISED
9	11/15/81	REVISED
10	11/15/81	REVISED
11	11/15/81	REVISED
12	11/15/81	REVISED
13	11/15/81	REVISED
14	11/15/81	REVISED
15	11/15/81	REVISED

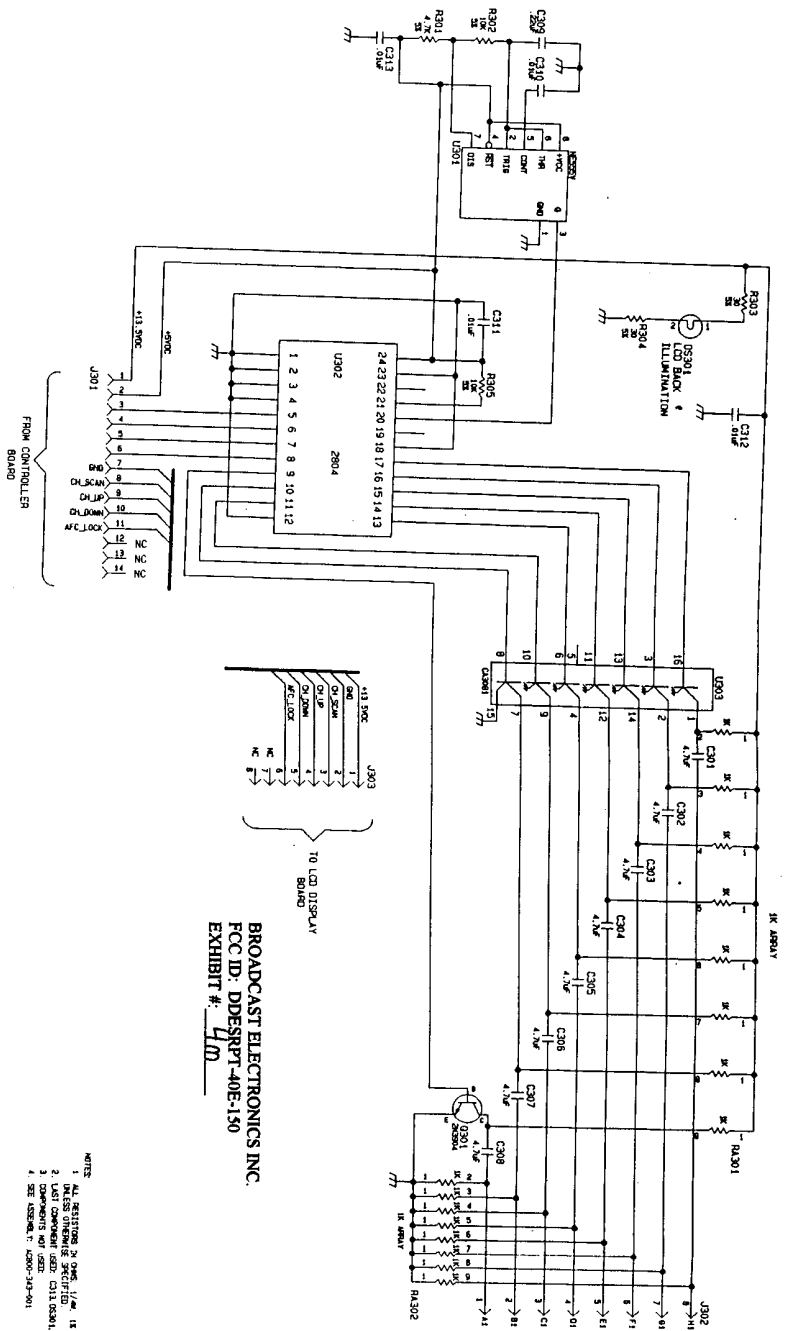
CONTROL BOARD ELECTRONICS, INC.  
 BROADCAST ELECTRONICS, INC.  
 1500 W. 17TH AVENUE  
 DENVER, CO 80202-2788  
 TEL: (303) 733-7200 FAX: (303) 733-7201  
 TITLE: SPT40E BREAKAWAY  
 PART NO: 800-339A1/A2  
 REV: 1 OF 1

- NOTES:
- ALL COMPONENTS TO BE ORDERED FROM THE MANUFACTURER'S SPECIFICATIONS.
  - LAST COMPONENT USED: 2804, D101, U101.
  - SEE COMMENTS FOR USED PARTS.
  - SEE ASSEMBLY INSTRUCTIONS FOR CHANNEL IDENTIFICATION.
  - USE IS INSTALLED ON 800-339A1 VERSION.
  - 800-339A1 VERSION.

CONTROLLER CIRCUIT BOARD - 800-339A1/A2  
 (57)



REV	DATE	DESCRIPTION	DESIGNED BY	CHECKED BY
1	3-11-97	INITIAL	K. TERWEL	
2	4-9-97	REVISED TO ADD PINS 1 & 2 TO PINS 10 & 11		
3	5-1-97	REWORKING RELEASE		

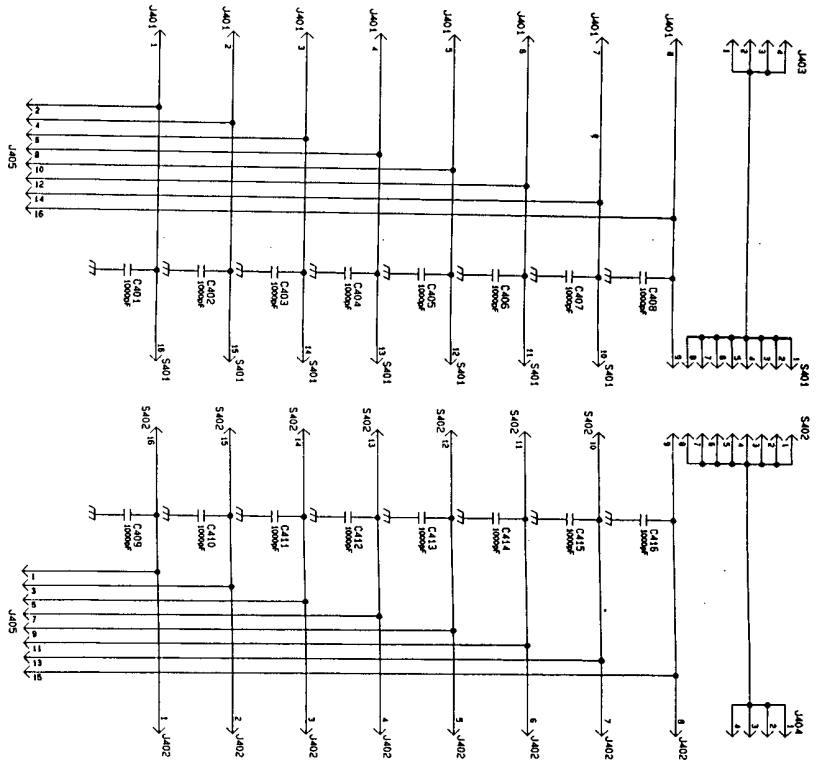


BROADCAST ELECTRONICS INC.  
 FCC ID: DDESPT-40E-150  
 EXHIBIT # 4m

- NOTES:
- ALL DIMENSIONS IN INCHES UNLESS OTHERWISE SPECIFIED.
  - USE STANDARD COMPONENTS UNLESS OTHERWISE SPECIFIED.
  - LAST COMPONENT USED: C313, D301, U301, U302 & R302.
  - SEE ASSEMBLY: 8000-142-901.

COMPANY: BROADCAST ELECTRONICS INC.  
 DATE: 3-11-97  
 TITLE: SPT40E BREAKAWAY  
 PART NO: 800-341A  
 SHEET: 1 OF 1

REV	DATE	DESCRIPTION	DESIGNED BY	CHECKED BY	DATE
1	1-1-77	INITIAL			
2	1-1-77	REVISION			
3	5-1-77	ORIGINATOR			



BROADCAST ELECTRONICS INC.  
 FCC ID: DDES RPT-40E-150  
 EXHIBIT # 40

- NOTES:
1. ALL RESISTORS IN OHMS, I/100, 1%.
  2. UNLESS OTHERWISE SPECIFIED.
  3. COMPONENTS NOT USED.
  4. SEE ASSEMBLY DRAWING 343-001.

BROADCAST ELECTRONICS INC. 1000 W. 11th St., Suite 100 Fort Worth, Texas 76102 (817) 343-0000 FAX (817) 343-0001		DATE: 1-1-77 REV: 1	
TITLE: SPT40E BREAKAWAY		PART: 1 OF 1	
PART NO: 800-343A		TOTAL QTY: 8	
DRAWN BY: [Name]		CHECKED BY: [Name]	

SWITCH INTERFACE CIRCUIT BOARD - 800-343A