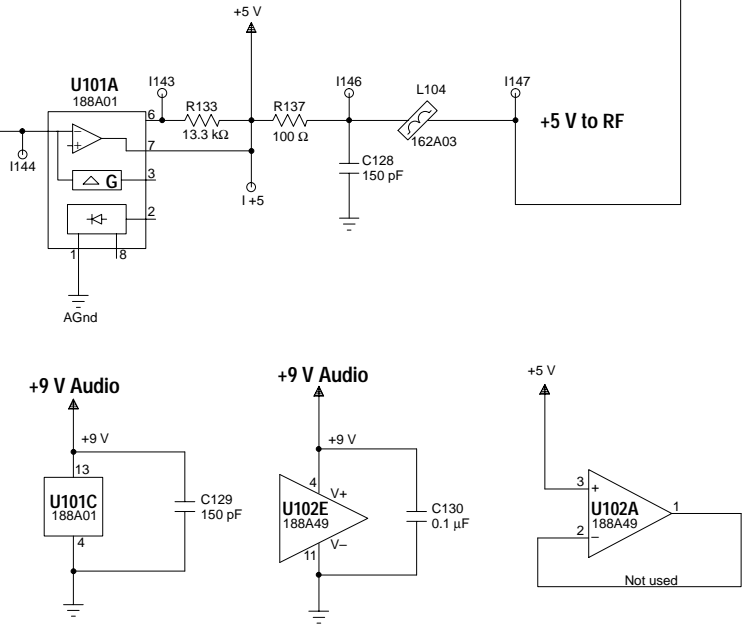


**Notes:**

1. All resistors are 1/16 W, 1%, 0603 unless otherwise specified.
2. Unless otherwise specified, all capacitors have a  $\geq 50$  V rating, and all non-polarized capacitors have a 10% tolerance.
3. The symbol  $\perp$  indicates a PC board ground.



**UT2 Audio Board**  
(from 90\_8787K-11)