

UR3 Plug-on Transmitter

General Description

The UR3 is compatible with any wired XLR microphone and is an essential component for professional field and media production applications. It is comfortable to hold, features a back-lit display, and the audio level and power indicator LEDs are discreetly hidden.

Features

- UHF-R Audio Reference Companding
- Wide-band tuning (region specific)
- Smart, ergonomic industrial design
- Selectable +12V/+48V phantom power
- Sweepable high-pass filter
- Programmable preset list with copy/paste to other UR3s
- Selectable mic/line input
- 10/50 mW RF power
- Discreetly located audio and battery life indicators
- IR sync

① Joystick

Enter, exit and scroll using the joystick

② XLR Connection

Connects to any XLR wired microphone or device output

③ Power LED

Tri-color LED, green, amber and red

④ Audio LED

Tri-color LED for audio settings, red is peak

⑤ IR Window

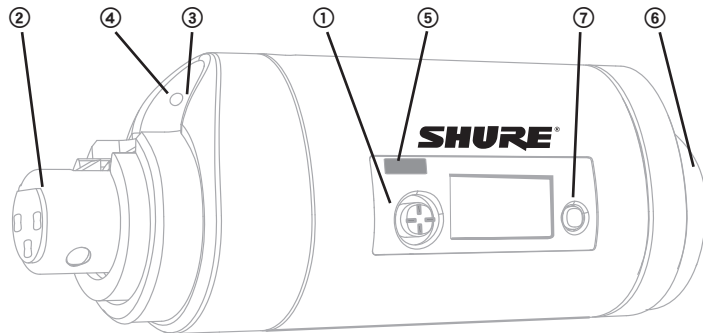
For transmitting settings from receiver to transmitter

⑥ Battery Compartment and Battery Cap Retainer

Requires 2 AA batteries. Turn cover counterclockwise to open

⑦ Power Switch

Press on, press and hold to turn off



Joystick

Use the joystick for navigating and setting values.

Push Right (Enter)

Access a menu or apply the selected value

Push Left (Exit)

Exit without saving changes

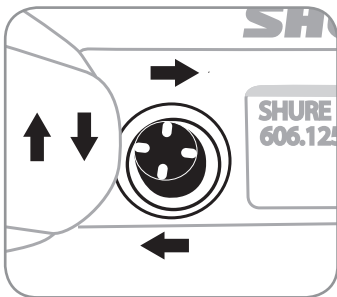
Push Up/Down (Scroll)

Scroll through menus or change a value

Joystick Controls

Enter: Access a menu or save the selected value

Scroll Up/Down:
Scroll through
menus or change
a value

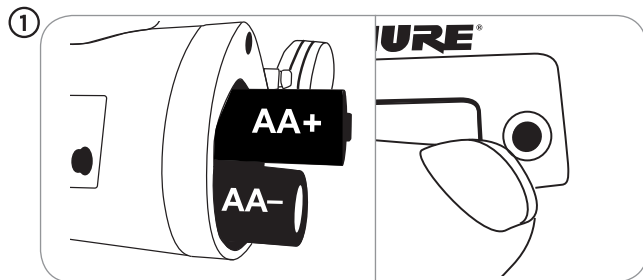


Exit: Return to previous screen

Setup

1. Install batteries and turn power on.
2. Select the appropriate level, mic or line, to match the audio signal source:
AUDIO > SENS/GAIN > SENS
3. Plug into an XLR microphone or the output of an audio device.
4. Perform a sound check: Adjust the gain until the audio LED peaks red and flickers amber:

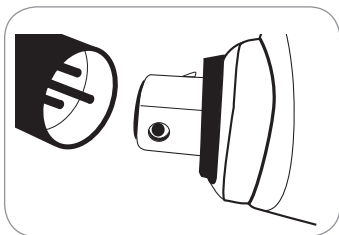
AUDIO > SENS/GAIN > GAIN



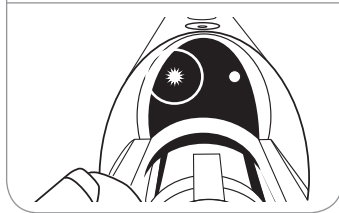
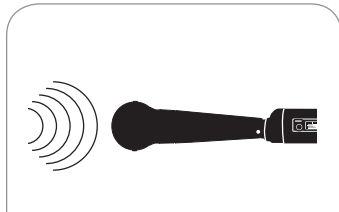
②



③

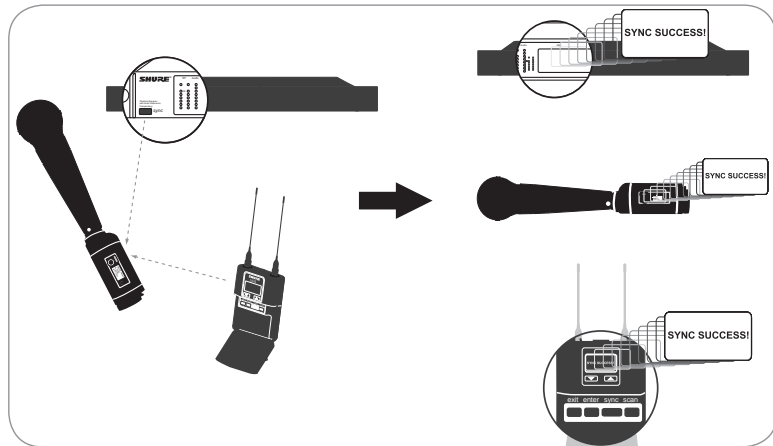


④



Syncing with a UHF-R Receiver

Align IR windows with a UHF-R receiver and press sync on the receiver. The transmitter displays SYNC SUCCESS.



⑤

RF Settings

Use the RADIO menu to adjust the following RF settings:

RADIO Menu

SETFREQ

Adjusts group, channel or frequency.

RFPWRLVL

Selects 10 mW or 50 mW power level

DISABLERF

Disables RF transmission. RFOFF appears on home screen.

ENABLERF (if disabled)

Enables RF transmission

Audio Settings

AUDIO Menu

SENS/GAIN > SENS

Adjusts input level to match audio signal source. MIC: For microphones or mic-level outputs

LINE: For line-level outputs.

SENS/GAIN > GAIN

Adjusts audio output to the receiver incrementally from -10 db to +20 db.

PHANTOM

Adds phantom power for condenser microphones. Select 12V or 48V as required for the microphone.

HPF (ROLLOFF)

High-pass filter. Scroll up to turn on the filter and set the low-frequency rolloff in Hz. (Scroll all the way down to turn off.)

Utility Menu

UTILITIES Menu

LOCK

Locks the transmitter to prevent changes to settings.

MICPRESET

Accesses the preset list.

DISPLAY

Changes the home screen display format.

BATTERY

Sets battery type for more accurate battery life metering.

CONTRAST

Adjusts display contrast (press up/down).

RESTORE

Restores the factory default settings.

Locking and Unlocking the Transmitter

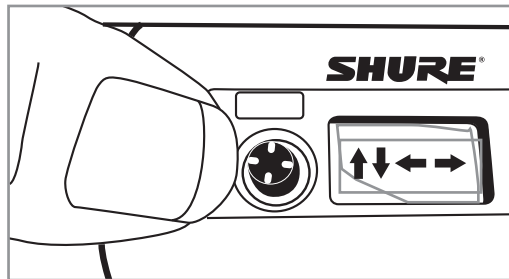
To lock the transmitter, select UTILITIES > LOCK.

To unlock the transmitter:

1. From the home screen, hold the joystick to the right for 5 seconds or until UN-LOCK? appears.
2. Push right again.

An on-screen key appears showing the joystick sequence to unlock the transmitter.

3. Follow the pattern to unlock the transmitter (up, down, left, right).



Microphone Preset

The transmitter holds up to 10 microphone presets.

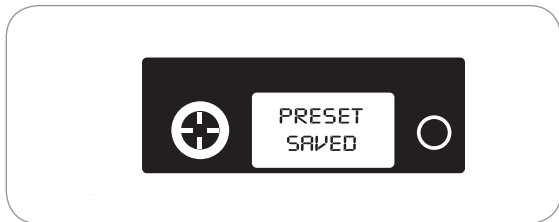
To change or modify the presets, you must enter the microphone preset submenu: UTILITIES > MICPRESET. From the sub-menu you can select, modify, add or delete and copy/paste settings.

Adding a preset:

UTILITIES > MICPRESET>ADD

Use EXIT and ENTER to scroll between parameters. Use UP/DOWN to change parameter values.

Note: ENTER through all parameter to save values.



Accessing Presets

Preset Submenu

Use the preset submenu to add, modify, or delete presets, or to clear the preset list. The submenu is not available until the first preset has been entered.

Note: The UR3 is shipped with an empty preset list.

1. Access the preset list:
UTILITIES > MICPRESET
2. Scroll down to select a preset.
3. Push right to access the menu for the selected preset.

SELECT

Activates the selected preset.

MODIFY

Modify the selected preset.

ADD

Add a new preset after the selected preset.

DELETE

Deletes the selected preset.

DELETEALL

Deletes all presets.

COPY/PASTE

Copy and paste the entire preset list to another UR3.

Modify Microphone Presets

Choose a preset from the preset list, enter the submenu, and choose MODIFY.

Use the joystick to edit values:

Right: move to the next value.

Down: edit the selected value.

Left: exit the preset without saving changes.

To exit and save: Continue to scroll right, through all fields, until PRESET SAVED appears.

To edit the eight-character name:

1. Highlight the preset name and press the joystick down.
2. Scroll up/down to change the character.
3. Scroll right to move to the next character.
4. To exit, continue to scroll right past the last character.

Copy and Paste Preset List

1. On the destination UR3: select UTILITIES > MIC PRESET

Highlight MIC PRESET.

2. From the source UR3: select UTILITIES > MIC PRESET > COPY/PASTE.

3. Align the IR windows and press enter on the source UR3.

SUCCESS appears on the LCD of the destination UR3.

Power on with RF OFF (RF Safety Mode)

Use this to turn on the transmitter without transmitting RF. This allows you to change frequency settings on the transmitter without accidentally interfering with a frequency being used by another transmitter.

- 1) Hold joystick to the left (exit) while turning on the transmitter power. RF OFF is displayed on home screen.
- 2) Change and save your frequency settings as you normally would – the transmitter will not broadcast.
- 3) To transmit RF, power the transmitter off or turn the RF on thru the Main Menu, MAIN MENU>RADIO> ENABLE RF.
- 4) Change and save your frequency settings as you normally would – the transmitter will not broadcast.

Lock

Use this shortcut to power on the transmitter with the interface locked. This prevents accidental changes to transmitter settings.

1. While holding the joystick to the right, power on the transmitter.

The home screen displays the lock icon.

2. To unlock the transmitter, hold the joystick to the right for 5 seconds and follow the on-screen instructions.

Frequency Band	Frequency Range (MHz)	RF Power (mW)*
G1, G1E	470 - 530	10 / 50
H4, H4E	518 - 578	10 / 50
H4HK	518 - 565	10
J5	578-608, 614-638	10 / 50
J5E	578-638	10 / 50
J5HK	578 - 638	10
K4E	606 - 666	10 / 50
L3, L3E	638 - 698	10 / 50
M5E	694 - 758	10 / 50
P8	710 - 790	10 / 50
P9	710 - 787	10 / 50
Q5	740 - 814	10 / 50
R9	790 - 865	10 / 50 (10 mW only from 863-865)
MA24	779-788, 797-806	10
MJBX	806 - 810	10
R16	794 - 806	10 / 50
R18	794 - 806	10
X2	925 - 932	10
X1	944 - 952	10 / 50

* conductive into 50 ohms

Specifications

Modulation	FM (45kHz max. deviation)
Frequency Range	470 – 952 MHz (varies by region)
Working Range	Under typical conditions - 150 m (500 ft.) Line-of-sight, outdoors for a single system - 500 m, (1600 ft.) Note: Actual range depends on RF signal absorption, antenna efficiency, reflections, and interference.
Tuning Bandwidth	Up to 80 MHz (varies by region)
Antenna	Dipole - Antenna is formed from the UR3 and attached microphone
Carrier Frequencies	Up to 3200, tunable in steps of 25 kHz (varies by region)
RF Power Output	Selectable 10 mW or 50 mW max. (depending on region)
Power Requirements	(2) 1.5V AA alkaline
Battery Life	10 hours (alkaline) without phantom power @ 10mW, typical (freq. band dependent) 3-4 hours (alkaline), with 48V phantom power @ 50mW, typical (freq. band dependent)

Gain Adjustment Range	-10 to +20 dB, MIC or LINE input setting
Pilot Tone	32 kHz
Frequency stability	$\pm 0.0015\%$
Spurious Radiation	75 dB below carrier (typical)
Equivalent input noise	-127.0dBV, A-weighted (audio front end)
Max. Audio Input level	+24 dBV (Line Input, 0dB gain) -21 dBV (Mic Input, 0dB gain)
Differential Input impedance	6 k Ω LINE Input Setting 3 k Ω MIC Input Setting
System Frequency response	35Hz – 17kHz, (+1.5dB, -3dB) Note: Overall system frequency response depends on the microphone element and receiver.
High Pass Filter	Two-pole (12dB per octave), selectable cut off frequency from 40 Hz to 240Hz
System THD+N	<0.3%, 1kHz sine wave @ 6dB below clip (line and mic input setting)

System Dynamic Range	107 dB typical, Line Mode, A-weighted through a UR4 105 dB typical, Mic Mode, A-weighted through a UR4 102 dB typical, Line Mode, A-weighted through a UR5 100 dB typical, Mic Mode, A-weighted through a UR5
Audio input jack	3-pin female XLR, Pin 1: Ground. Pin 2: Hot, Pin 3: Cold
Phantom Power	+48V \pm 4V, 7mA max. +12V \pm 1V, 7mA max.
Weight	196g (6.9 oz.) (with AA batteries)
Dimensions	99 x 66 x 23 mm 3.9 x 2.6 x 0.9 in. H x W x D

Certifications:

UR3: Type Accepted under FCC Parts 74 (FCC ID: DD4UR3A, DD4UR3B, DD4UR3C, DD4UR3E, DD4UR3P).

Certified by IC in Canada under RSS-123 and RSS-102 (IC: 616A-UR3A, 616A-UR3B, 616A-UR3C, 616A-UR3E).

Meets essential requirements of the following European Directives:

R&TTE Directive 99/5/EC

- WEEE Directive 2002/96/EC, as amended by 2008/34/EC

Please follow your regional recycling scheme for electronic waste

RoHS Directive 2002/95/EC, as amended by 2008/35/EC Conforms to European Regulation (EC) No. 1275/2008, as amended.

Meets requirements of the following standards: EN 300 422 Parts 1 and 2, EN 301 489 Parts 1 and 9, EN60065.

The CE Declaration of Conformity can be obtained from: www.shure.com/europe/compliance

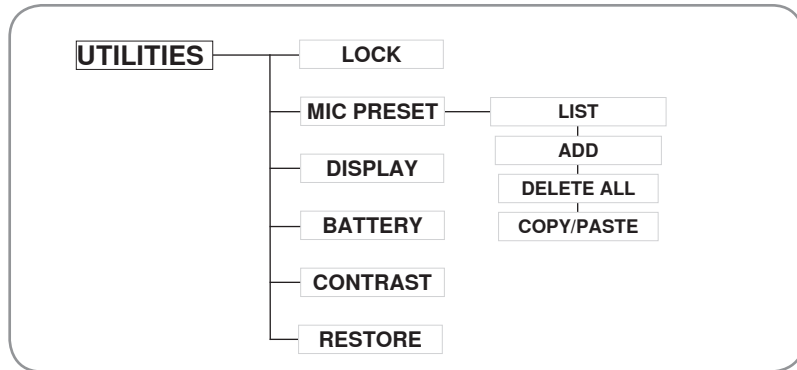
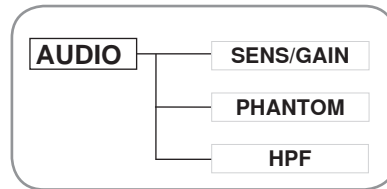
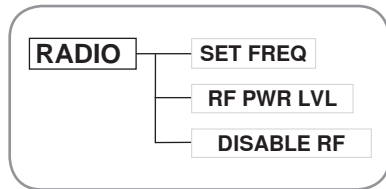
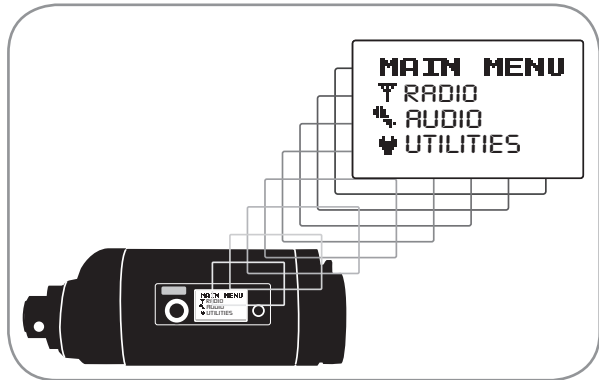
This device complies with Industry Canada licence-exempt RSS standard(s). Operation is subject to the following two conditions: (1) this device may not cause interference, and (2) this device must accept any interference, including interference that may cause undesired operation of the device.

Le présent appareil est conforme aux CNR d'Industrie Canada applicables aux appareils radio exempts de licence. L'exploitation est autorisée aux deux conditions suivantes : (1) l'appareil ne doit pas produire de brouillage, et (2) l'utilisateur de l'appareil doit accepter tout brouillage radioélectrique subi, même si le brouillage est susceptible d'en compromettre le fonctionnement.

LICENSING INFORMATION:

Licensing: A ministerial license to operate this equipment may be required in certain areas. Consult your national authority for possible requirements.

Changes or modifications not expressly approved by Shure Incorporated could void your authority to operate the equipment. Licensing of Shure wireless microphone equipment is the user's responsibility, and licensability depends on the user's classification and application, and on the selected frequency. Shure strongly urges the user to contact the appropriate telecommunications authority concerning proper licensing, and before choosing and ordering frequencies.



SHURE[®]

SHURE Incorporated <http://www.shure.com>

United States, Canada, Latin America, Caribbean:

5800 W. Touhy Avenue, Niles, IL 60714-4608, U.S.A.

Phone: 847-600-2000 U.S. Fax: 847-600-1212 Int'l Fax: 847-600-6446

Europe, Middle East, Africa:

Shure Europe GmbH, Phone: 49-7262-9249-0 Fax: 49-7262-924911-4

Asia, Pacific:

Shure Asia Limited, Phone: 852-2893-4290 Fax: 852-2893-4055