

DESCRIPTION UC1 RF BOARD

PCB: 34A8577H

DRWG. 90-8762N-11

SHEET NO. 2 OF 2 SHEETS

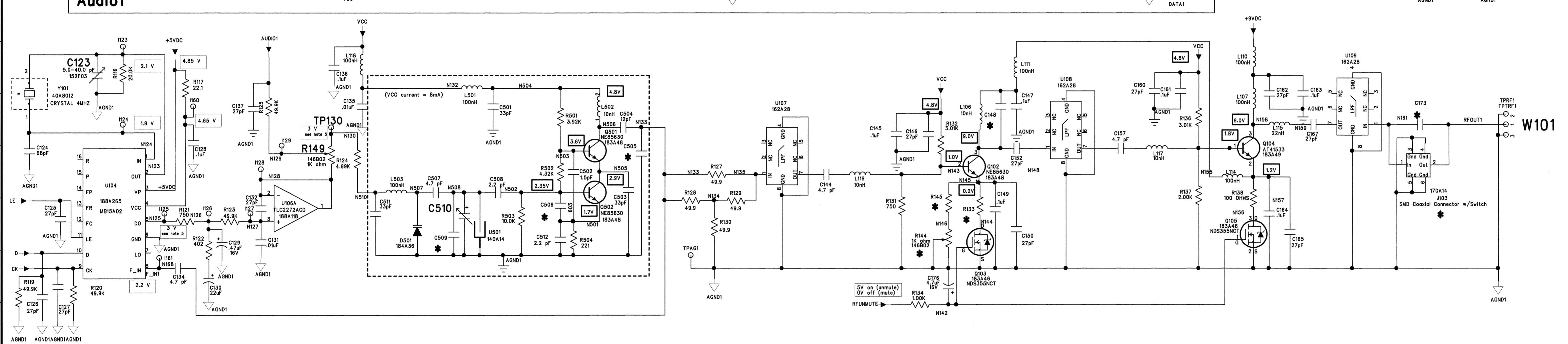
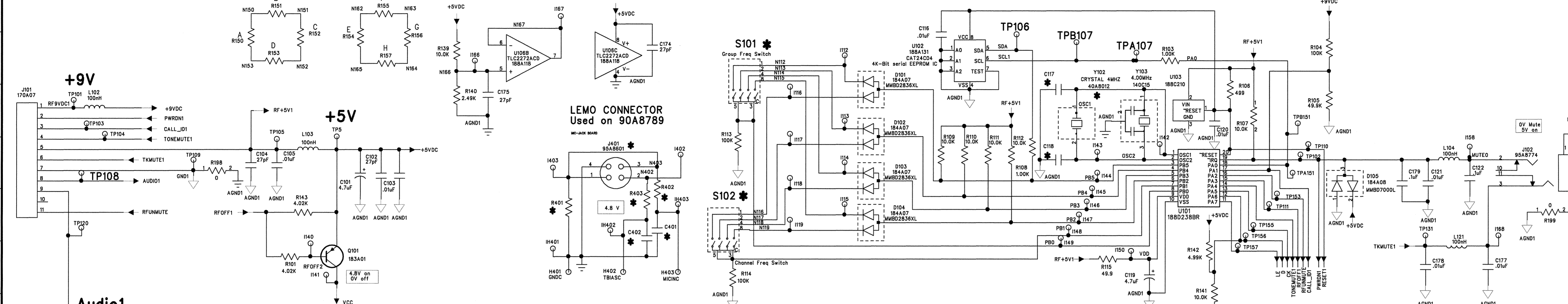


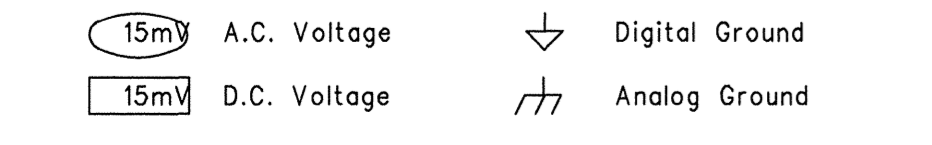
TABLE 1 AUDIO BOARD Frequency Dependant Parts By Group and Part Number

PCB ASSEMBLY NUMBER	COUNTRY CODE	FREQUENCY RANGE MHz	COUNTRY DESIGNATION	R26	R27	R28	R29	R30	R31	R32	R33	R34	R35	R36	R37	R38	R39	R40	R41	R1	R11	R12	R13	R14	R15	R16	R17	R18	C7	C8	C12	C25	Q2	Q3	U1	R298	R25	R9	R2	R3	C216	C254	R286	R287						
90A8762	UA	782-806	US & CANADA	1.0K	not used	not used	not used	not used	not used	not used	not used	1.0K	not used	not used	not used	not used	not used	not used	not used	not used	not used	not used	not used	not used	not used	not used	not used	not used	not used	not used	not used	not used	not used	not used	not used	not used	not used	not used	4.99K	0.047	not used	200K	24.9K							
90B8762	MB,MC	800-830	EUROPE	1.0K	not used	not used	not used	not used	not used	not used	not used	1.0K	not used	not used	not used	not used	not used	not used	not used	not used	not used	not used	not used	not used	not used	not used	not used	not used	not used	not used	not used	not used	not used	not used	not used	not used	not used	not used	not used	not used	not used	not used	not used	not used	not used	not used				
90C8762	JA	797-806	JAPAN	used	not used	not used	not used	not used	not used	not used	not used	not used	not used	1.0K	used	used	used	used	used	used	used	used	used	used	used	used	used	used	used	used	used	used	used	used	used	used	used	used	used	used	used	used	used	used	used	used	used	used		
90D8762	JB	806-810	JAPAN	used	not used	not used	not used	not used	not used	not used	not used	not used	not used	1.0K	used	used	used	used	used	used	used	used	used	used	used	used	used	used	used	used	used	used	used	used	used	used	used	used	used	used	used	used	used	used	used	used	used	used	used	
90E8762	KK	838-862	ENGLAND	not used	not used	not used	not used	not used	not used	not used	not used	not used	not used	1.0K	not used	not used	not used	not used	not used	not used	not used	not used	not used	not used	not used	not used	not used	not used	not used	not used	not used	not used	not used	not used	not used	not used	not used	not used	not used	not used	not used	not used	not used	not used	not used	not used	not used	not used	not used	
90F8762	UB	692-716	US & CANADA	not used	not used	not used	not used	not used	not used	not used	not used	not used	not used	1.0K	not used	not used	not used	not used	not used	not used	not used	not used	not used	not used	not used	not used	not used	not used	not used	not used	not used	not used	not used	not used	not used	not used	not used	not used	not used	not used	not used	not used	not used	not used	not used	not used	not used	not used	not used	
90G8762	MC	774-782	Netherlands	not used	not used	not used	not used	not used	not used	not used	not used	not used	not used	1.0K	not used	not used	not used	not used	not used	not used	not used	not used	not used	not used	not used	not used	not used	not used	not used	not used	not used	not used	not used	not used	not used	not used	not used	not used	not used	not used	not used	not used	not used	not used	not used	not used	not used	not used	not used	not used

TABLE 1 RF BOARD Frequency Dependant Parts By Group and Part Number

PCB ASSEMBLY NUMBER	S101	S102	FRQ	FP130	R150	R151	R152	R153	R154	R155	R156	R157	C117	C118	C505	C506	C509	C148	Y102	Y103	J103	R144	R145	R133	S101	S102	C173
90A8762	4	0	805.500	3.7	1.0K	not used	not used	not used	not used	not used	not used	not used	not used	not used	4.7	4.7	1.8	not used	not used	140C15	not used	not used	not used	22.1	158B11	155A11	27
90B8762	1	3	805.500	1.8	1.0K	not used	not used	not used	not used	not used	not used	not used	not used	not used	4.7	4.7	1.0	not used	not used	140C15	not used	not used	not used	22.1	158B11	155A11	27
90C8762	2	0	805.500	3.5	1.0K	not used	not used	not used	not used	not used	not used	not used	27	27	4.7	4.7	1.8	not used	not used	40A8012	not used	170A14	not used	49.9	402	155A11	not used
90D8762	4	2	807.500	3.8	not used	not used	not used	not used	not used	not used	not used	not used	27	27	4.7	4.7	1.8	not used	not used	40A8012	not used	170A14	not used	49.9	402	155A11	not used
90E8762	1	4	857.125	3.5	not used	not used	not used	not used	not used	not used	not used	not used	not used	not used	3.3	3.3	not used	not used	not used	140C15	not used	not used	not used	22.1	158B11	155A11	27
90F8762															6.8	6.8	3.3	not used	not used	140C15	not used	not used	not used	22.1	158B11	155A11	27
90G8762	1	1	774.125	1.1	not used	not used	not used	not used	not used	not used	not used	not used	not used	not used	4.7	4.7	1.8	not used	not used	140C15	not used	not used	not used	22.1	158B11	155A11	27

- NOTES:
- All resistors 1/16 Watt, 1%, 0603 unless otherwise specified.
 - Electrolytic capacitors shown in uF x Volts. All non-polar capacitors in uF and 50V or more unless otherwise specified.
 - The following symbols denote:



NOTE: X,Y SCALE CORRESPONDES TO THE X,Y COORDINATES IN SCHEMATIC CAPTURE.

Changes from 90-8762 to 90-8789

J401	R401	R402	R403	C401	C402	R301	R302	R303	C301	C302	J301
95A8601	10K	499	499	27	27	not used	not used	not used	not used	not used	not used

DRWG. 90-8762N-11

ORIG. USED IN UC1

DATE REVISED: 222 HARTREY AVE. EVANSTON, IL 60222 PHONE 847-866-2200

DRAWN J. Astroski
 CHECKED D. Cerra
 APPROVED J. Poremba
 APPROVED K. Mikes

NOTICE
 This drawing is the property of Shure Brothers Incorporated and is disclosed to you in strict confidence and with the understanding that it is not to be reproduced, copied, or used except for the purpose of producing tools or products exclusively for Shure Brothers Incorporated. Copies of this drawing are to be made only when necessary for the purpose stated above and all copies must contain this Notice. This drawing and all copies must be returned on request.