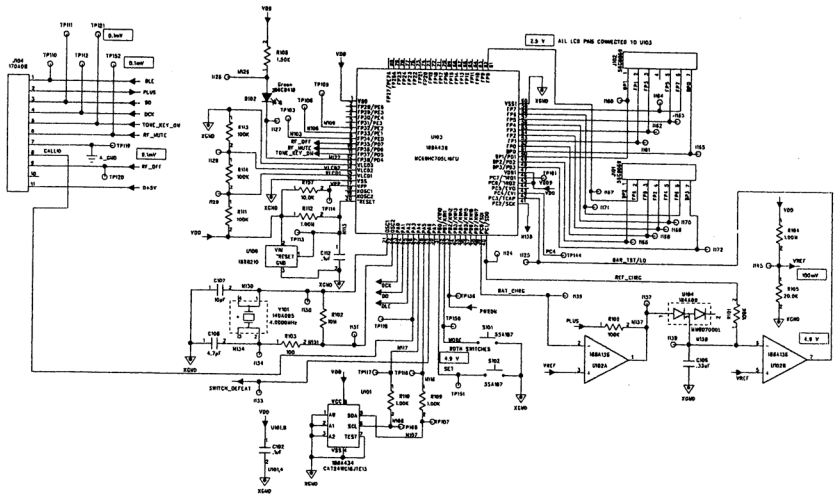
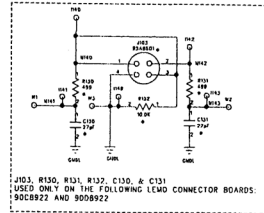
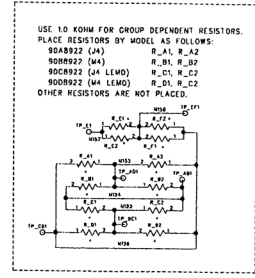
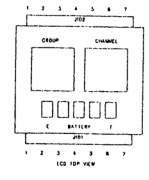


UNIT II TRANSMITTER: Power/Micro board

90-8922C-11
SHEET NO. 2 OF 2 SHEETS



	90A8922 J4 90C8922 J4 LEMO 554-584 MHz	90B8922 M4 90D8922 M4 LEMO 682-892 MHz
R202	1.0K	1.0K
R259	1.0K	1.0K
R215	10K	10K
R225	18.2k	18.2k
R220	10K	10K
CX5	6.8pF	4.7pF
CX6	5.6pF	4.7pF
CX7	Not Placed	1.0pF
CX8	15pF	12pF
CX10	5.6pF	2.2pF
CX11	3.3pF	2.7pF
LX1	182820	162A20
L206	39mH	22mH
L209	22mH	15mH
C67	4.7pF	3.3pF
C258	Not Placed	Not Placed
U207	1870D7	1871D7
J3	Not Placed	Not Placed
C24	Not Placed	Not Placed
C28	Not Placed	Not Placed



NOTE: PARTS FOR TINY QC CONNECTOR AND LEMO CONNECTOR ARE NOW GROUP DEPENDENT. SEE SCHEMATIC FOR WHICH REFERENCE DESIGNATORS ARE PLACED DEPENDING ON GROUP.

- NOTES:
- All resistors 1/10 Watt, 1%, 0805 unless otherwise specified.
 - Electrolytic capacitors shown in μF , \pm Volt. All non-polar capacitors in μF , tolerance 10% and 50V or more unless otherwise specified.
 - The following symbols denote:
 - A.C. Voltage
 - P.C. ground
 - D.C. Voltage
 - Case ground

NOTE: X,Y SCALE CORRESPONDES TO THE X,Y COORDINATES IN SCHEMATIC CAPTURE.

DRWG NO. 90-8922C-11

Confidential © 2001
SHURE INC.
1725 WILSON BLVD
EVANSTON, IL 60120
PHONE 847.376.1000
FAX 847.376.1001
SHURE IS A REGISTERED TRADEMARK OF SHURE INC.
© 2001 SHURE INC.
DRAWN: GJM 6/22/01
CHECKED: IM 6/22/01
APPROVED

NOTICE
This drawing is the property of Shure Brothers Inc. and is not to be reproduced, stored in a retrieval system, or transmitted in any form or by any means, electronic, mechanical, photocopying, recording, or by any information storage and retrieval system, without the prior written permission of Shure Brothers Inc. This drawing is for internal use only and is not to be released to the public without the prior written permission of Shure Brothers Inc.