

**Measurements of Shure SLXD3
with VP89M Microphone
For Regulatory Approval
AT-variant (558 – 616 MHz)**

Shure Incorporated
January 11th, 2023

Prepared by
Mark Kenkel, Ph.D.

Table of Contents

1. SLXD3 – Plug-on Transmitter	1
1.1 SLXD3 – with VP89M microphone	1
2. Appendix	4

Table of Figures

Figure 1 – SLXD3 AT-variant (558.075 MHz) 3D radiation patterns and scale	1
Figure 2 – SLXD3 AT-variant (587.000 MHz) 3D radiation patterns and scale	2
Figure 3 – SLXD3 AT-variant (615.875 MHz) 3D radiation patterns and scale	3
Figure 4 - Antenna reference angles	4
Figure 5 - SLXD3 Dipole Antenna and RF Connection Block Diagram	5

1. SLXD3 – Plug-on Transmitter

1.1 SLXD3 – with VP89M microphone

Antenna 3D patterns for:

- Test frequency = 558.075 MHz
- Maximum gain = 1.7 dBi

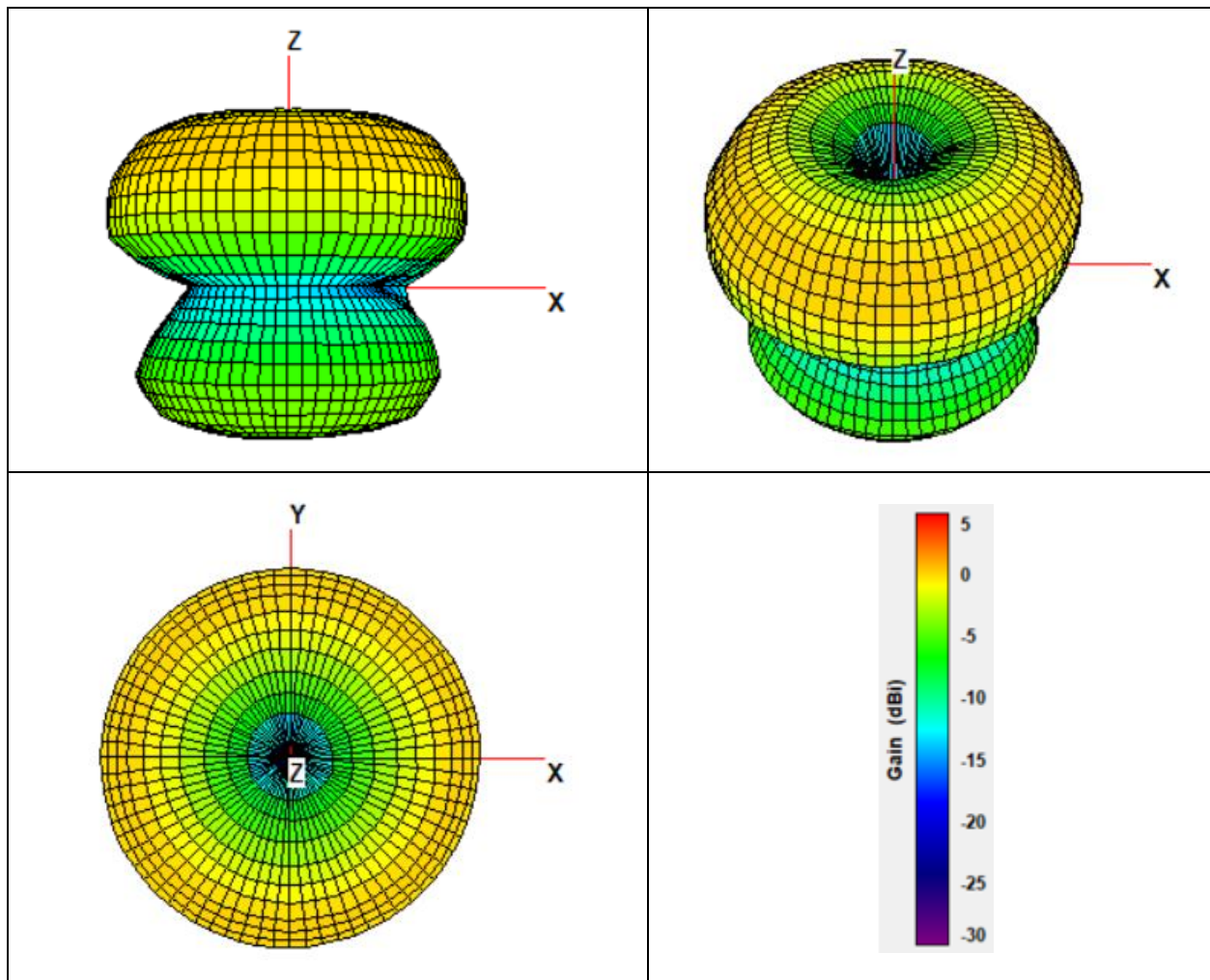


Figure 1 – SLXD3 AT-variant (558.075 MHz) 3D radiation patterns and scale

- Test frequency = 587.000 MHz
- Maximum gain = 1.3 dBi

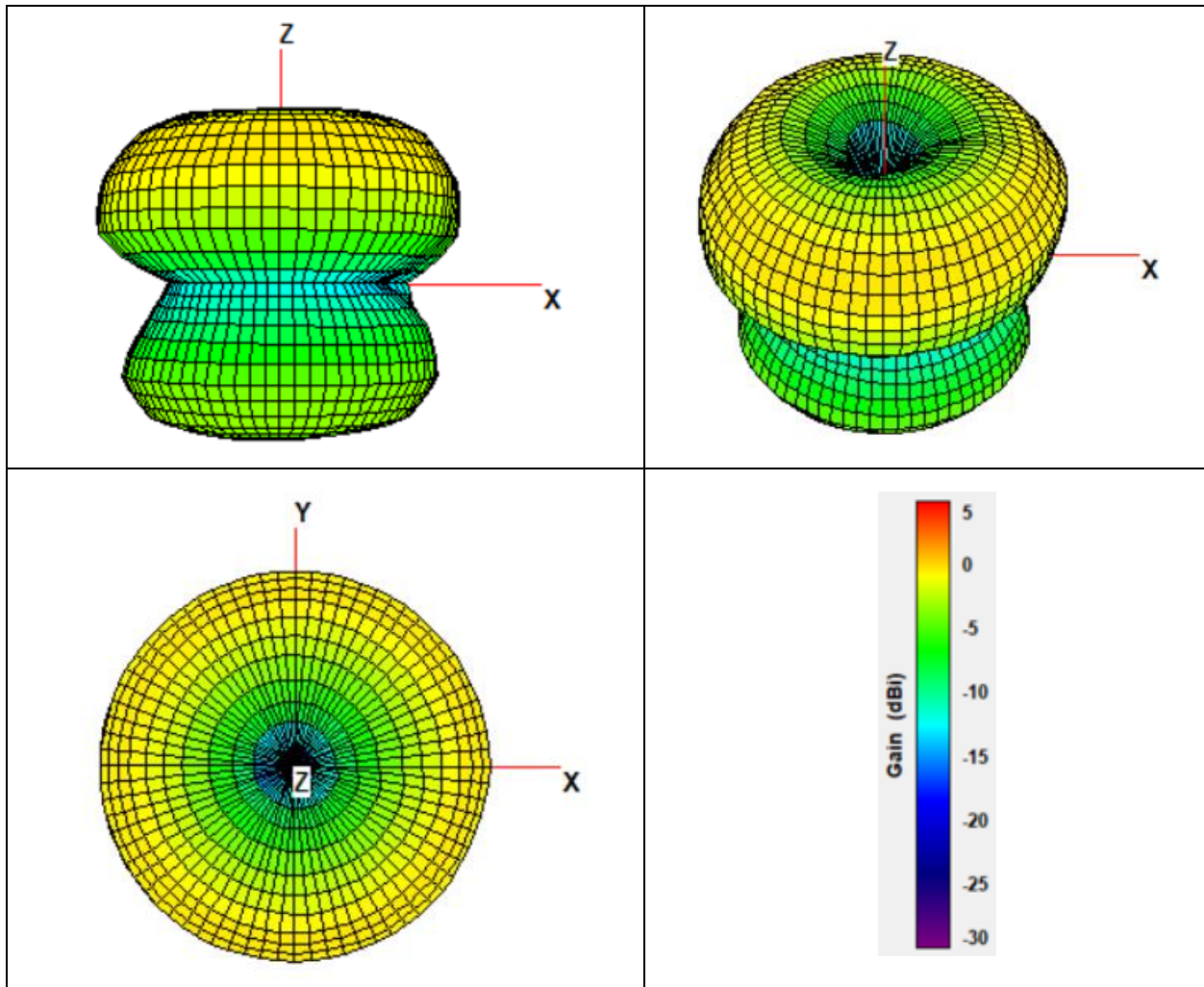


Figure 2 – SLXD3 AT-variant (587.000 MHz) 3D radiation patterns and scale

- Test frequency = 615.875 MHz
- Maximum gain = 0.8 dBi

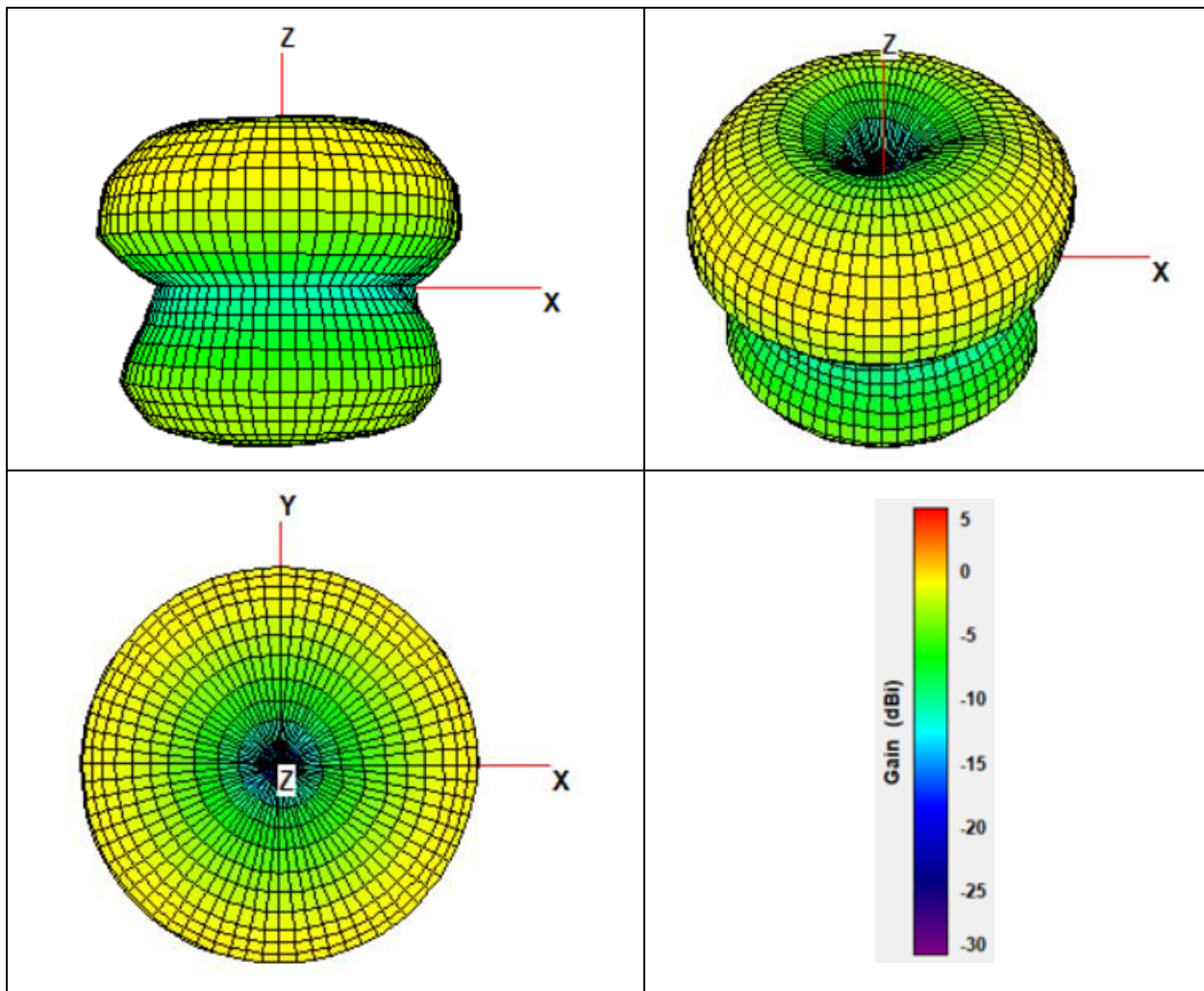


Figure 3 – SLXD3 AT-variant (615.875 MHz) 3D radiation patterns and scale

2. Appendix

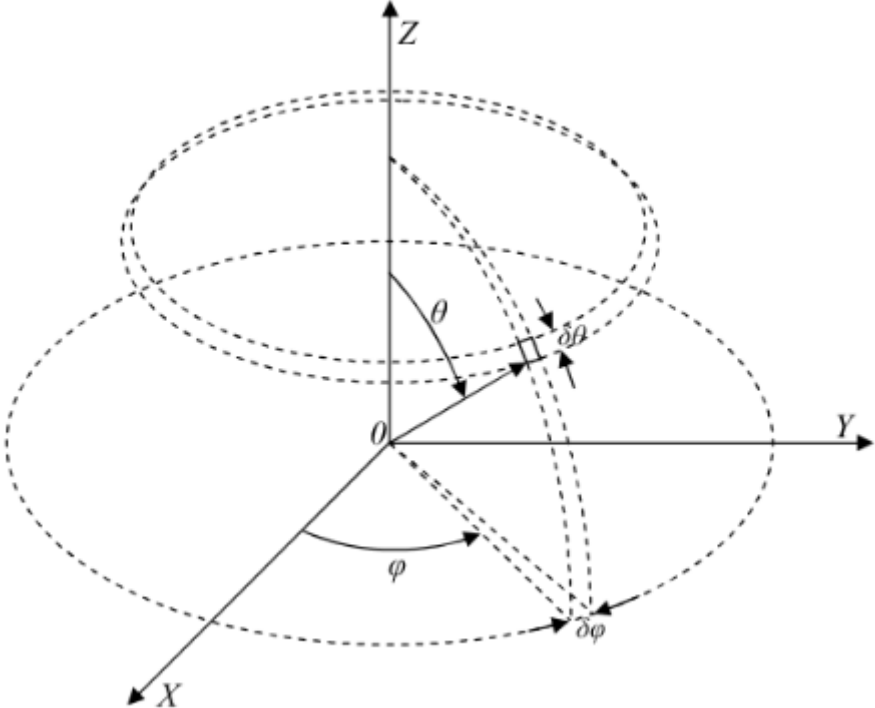


Figure 4 - Antenna reference angles

SLXD3 Dipole Antenna Structure

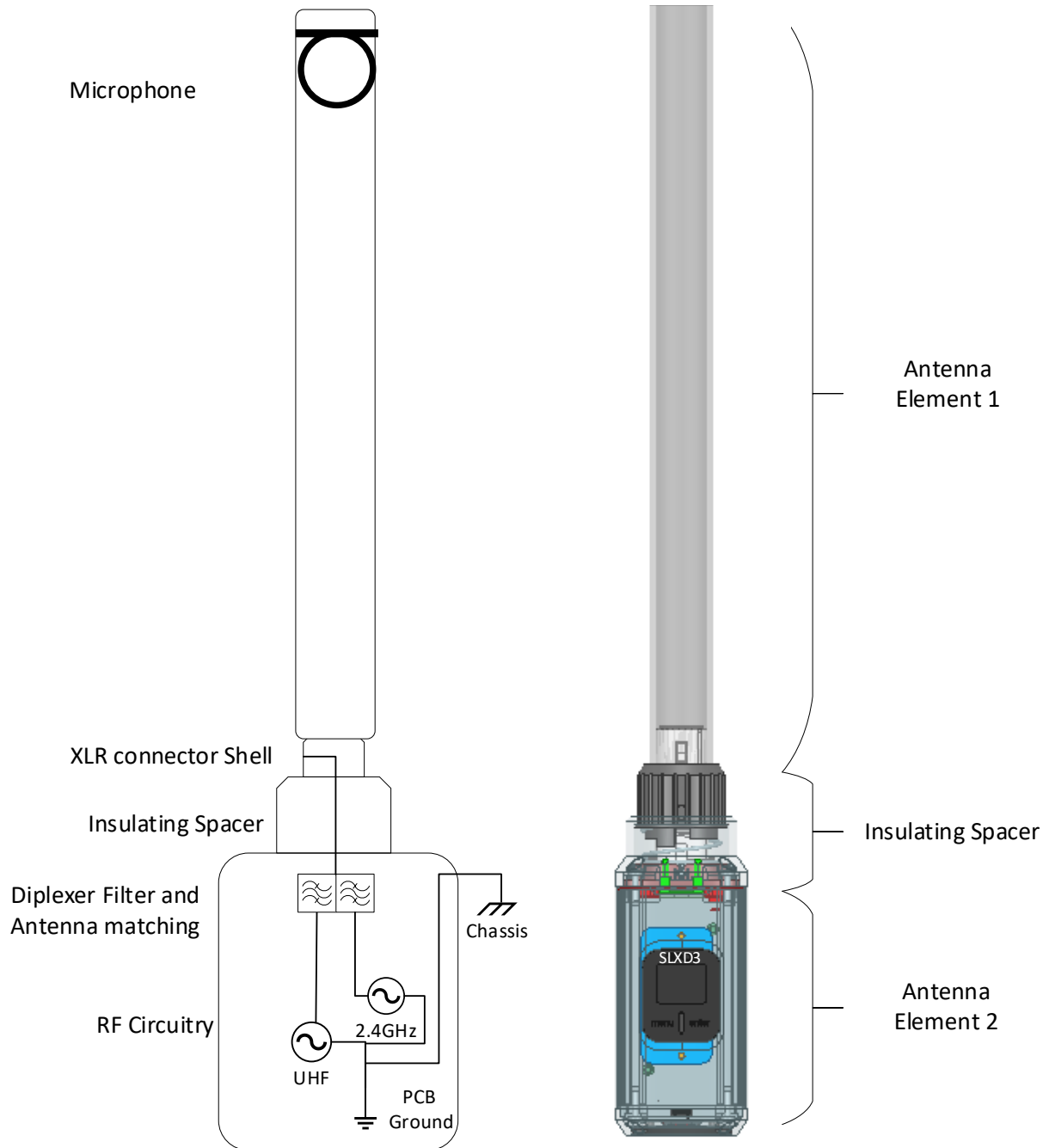


Figure 5 - SLXD3 Dipole Antenna and RF Connection Block Diagram