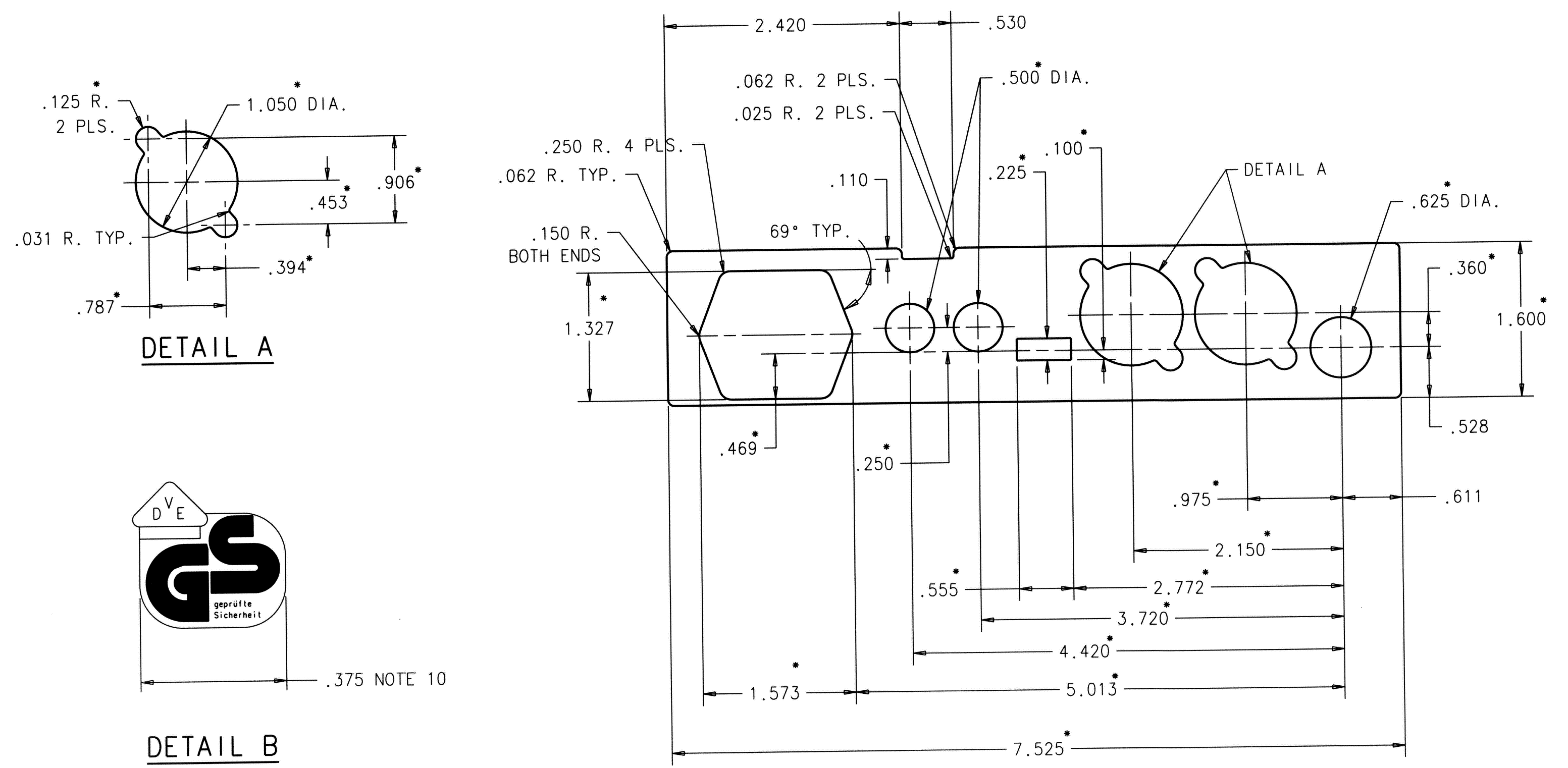
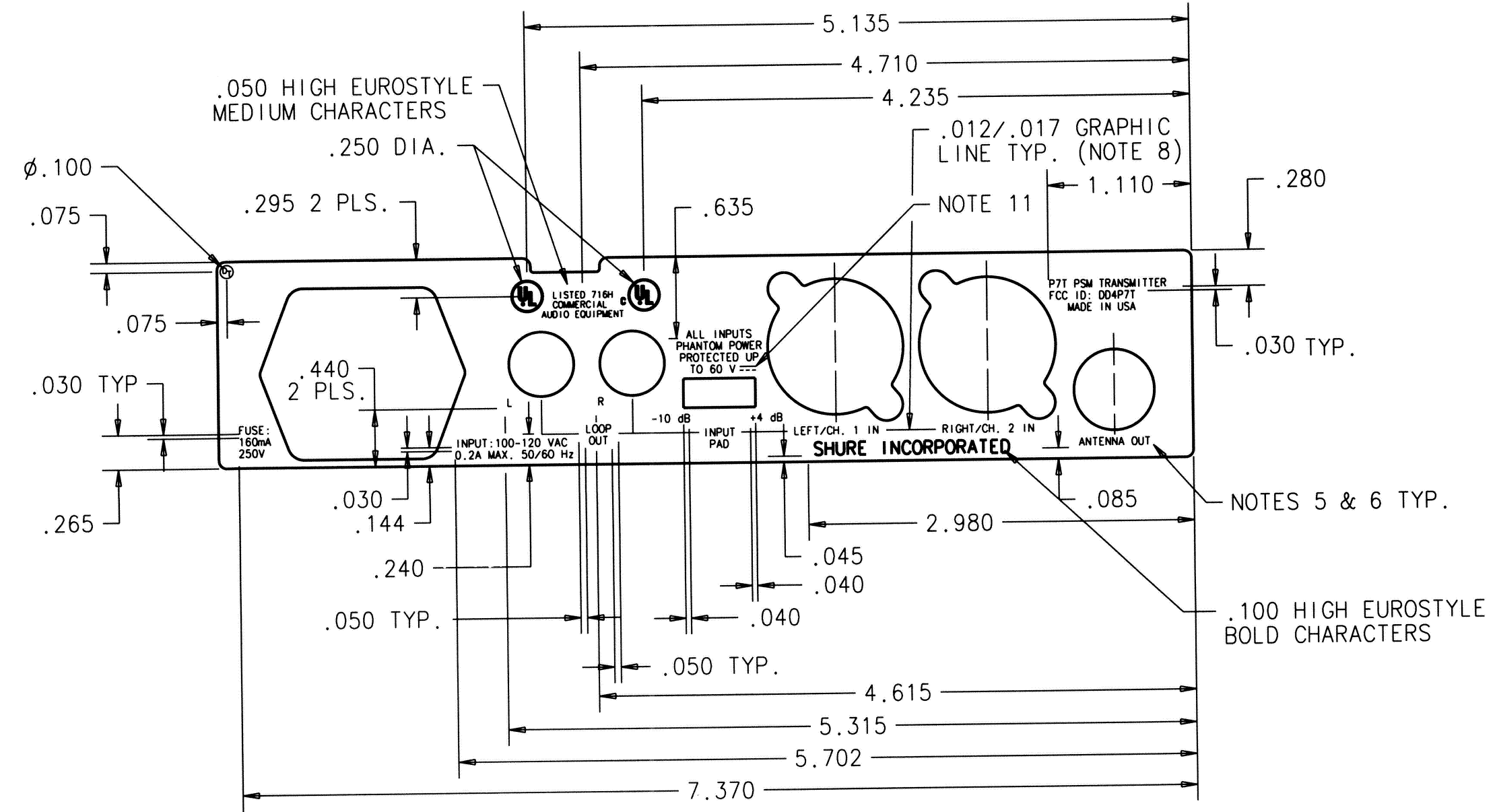


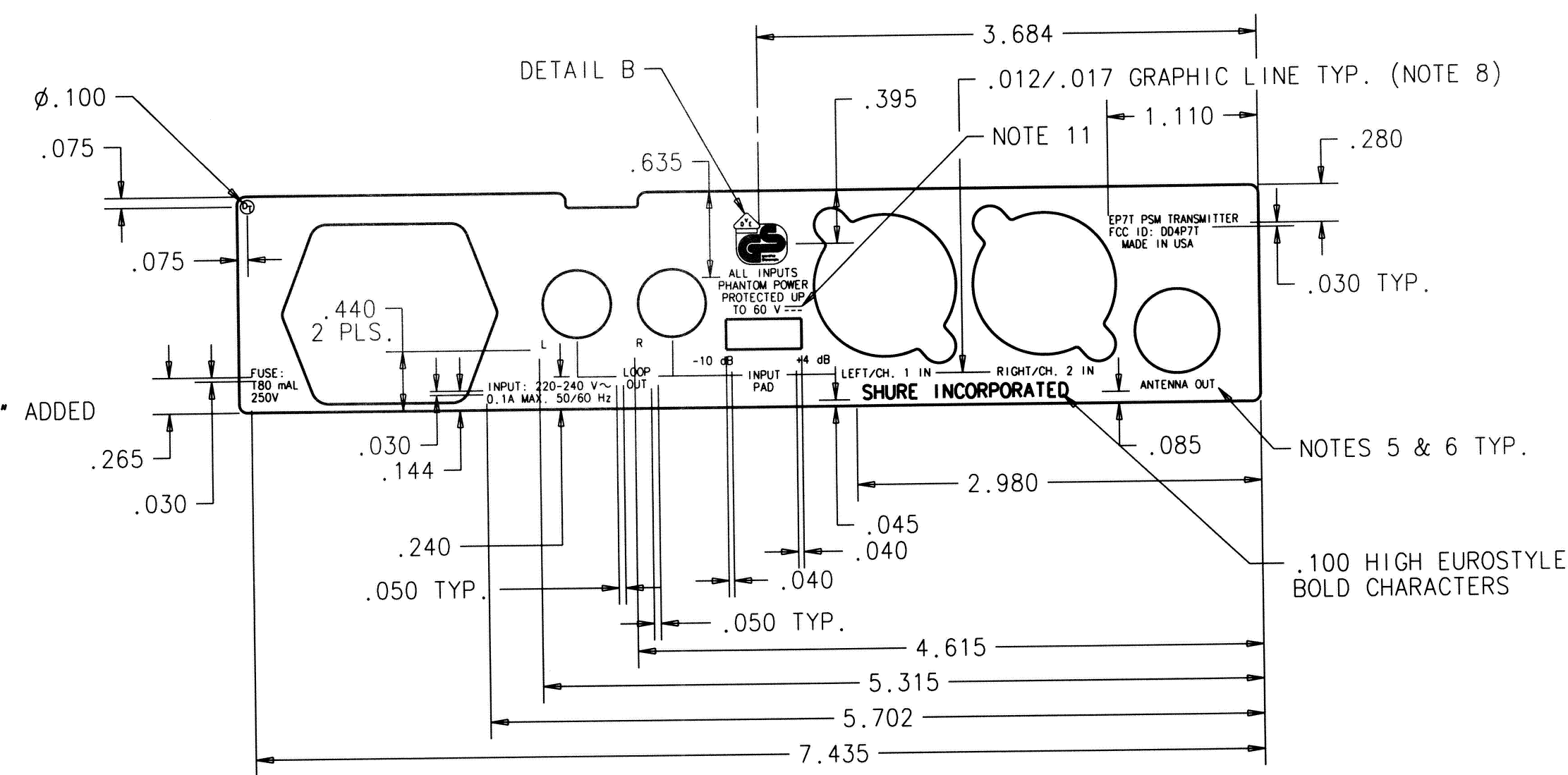
RECORD OF CHANGES MADE	
A	RELEASED FOR QUOTATIONS
B	REV'D *UL* LISTED SYM. SPB 7/23/98
C	PRELIMINARY CHECKING MJA 9/14/98
D	REMOVED CANADA ID FROM 39A8348 MJA 11/12/98
E	CHANGED VAC TO V ON 39A8348 MJA 11/18/98
F	CHANGED 39A8348 TO ORIGINAL UL CODES AND SYMBOLS. MJA 11/24/98
G	ADDED BZT NUMBER TO 39B8348. REMOVED 39B8348. MJA 2/3/99
1	PRODUCTION RELEASE MJA 4/9/99 CJW
2	ECO B1707 ADDED DT LOGOS TO PRINT AT *A-10*, *C-10*, *I-10*. MJA
3	ECO B2045 REVISED THROUGHOUT FOR BZT. DRWG. NO. WAS 39-8348. UPDATED TITLE BLOCK. REVISED NOTES *SHURE INCORPORATED* WAS *SHURE BROTHERS INC.* IN VARIOUS PLACES. DELETED 39C8348, DETAIL C AND NOTE 12. 39B8424 WAS 39A8348. *SHURE INCORPORATED* WAS *SHURE BROTHERS INC.* AT B12. 39B8424 WAS 39B8348. *SHURE INCORPORATED* WAS *SHURE BROTHERS INC.* AT F13. *V*** WAS *VDC* AT F12. REMOVED CE LOGO AT E10. *180 mA* WAS *80 mA* AT F10. 7.435 WAS 7.370 AT G13. 39C8424 WAS 39B8348. *SHURE INCORPORATED* WAS *SHURE BROTHERS INC.* AT J13. *V*** WAS *VDC* AT J12. REMOVED CE LOGO AT I10. REMOVED COPY PER DETAIL *C* AT I12. DELETED NOTE 12. ADDED *CE 0682* AT I12. ADDED NOTES 12, 13, & 14. *180 mA* WAS *80 mA* AT J10. SPB 4/12/01 CJW
4	ECO B2660 ADDED 39B8424 & 39E8424 JEK 6/2/03 CJW
5	ECO B2771 ADDED 39F8434 6/20/03 JEK CJW
6	REF. ECO B3354 AT LOG H-12. ADDED WEEE LOGO. NOTE 12 CHANGED TO REFERENCE CR2074. NOTES 13 AND 14 REMOVED. 39G8424 WAS 39C8424. CSA
7	ECO B3701 ADDED VIEW 39H8424 CR2299. IN NOTE 12 REMOVED REFERENCE TO CR2074. AND CR2074 ADDED TO 39G8424 VIEW. SO 03/08/07



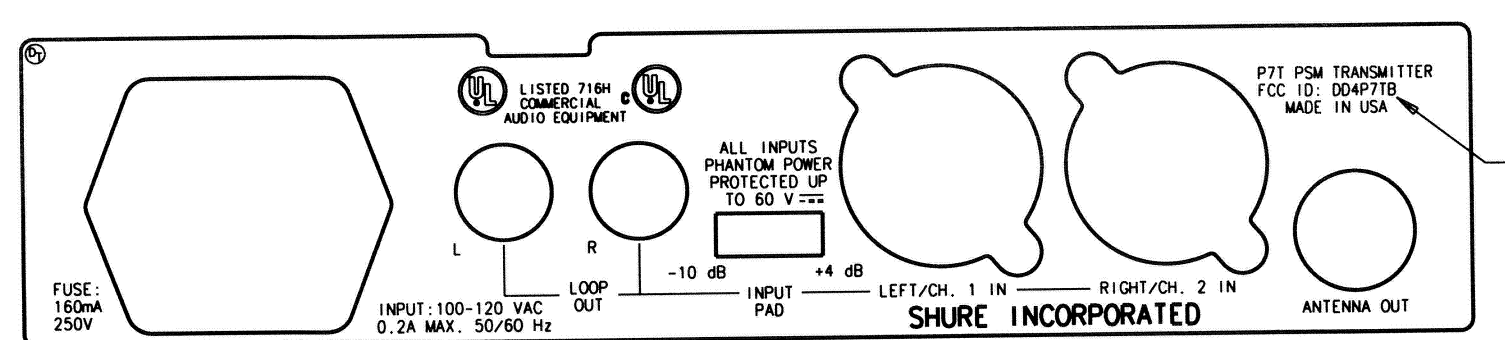
DIECUT DIMENSIONS



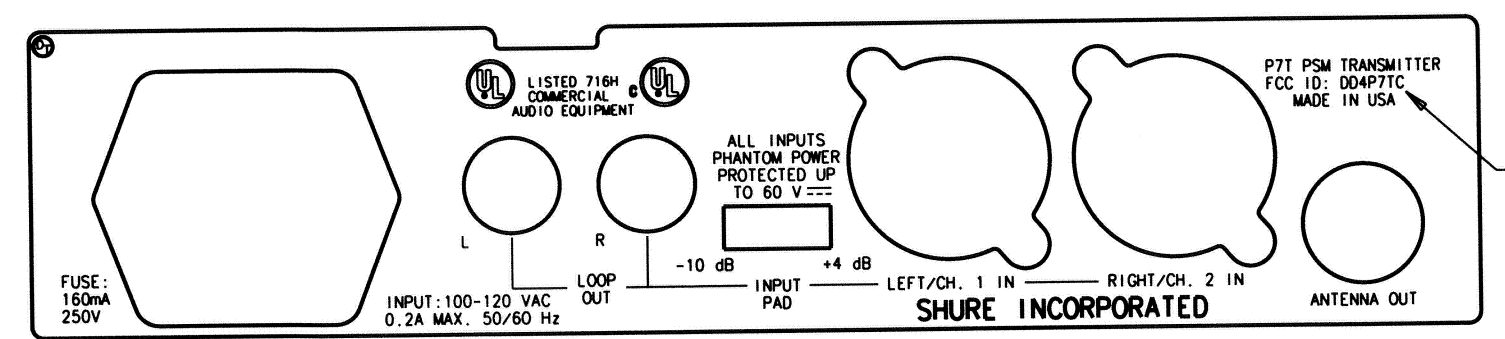
39A8424 COPY DIMENSIONS



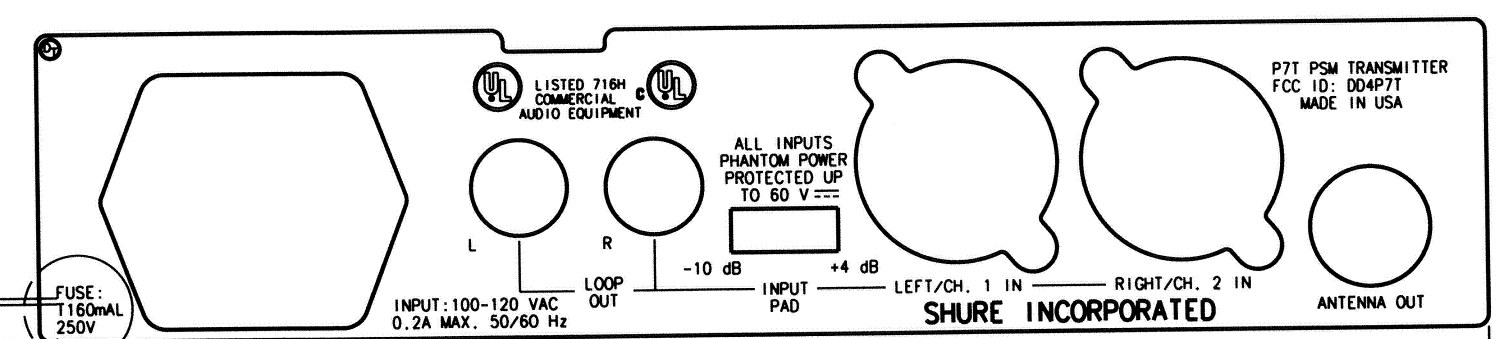
39B8424 COPY DIMENSIONS



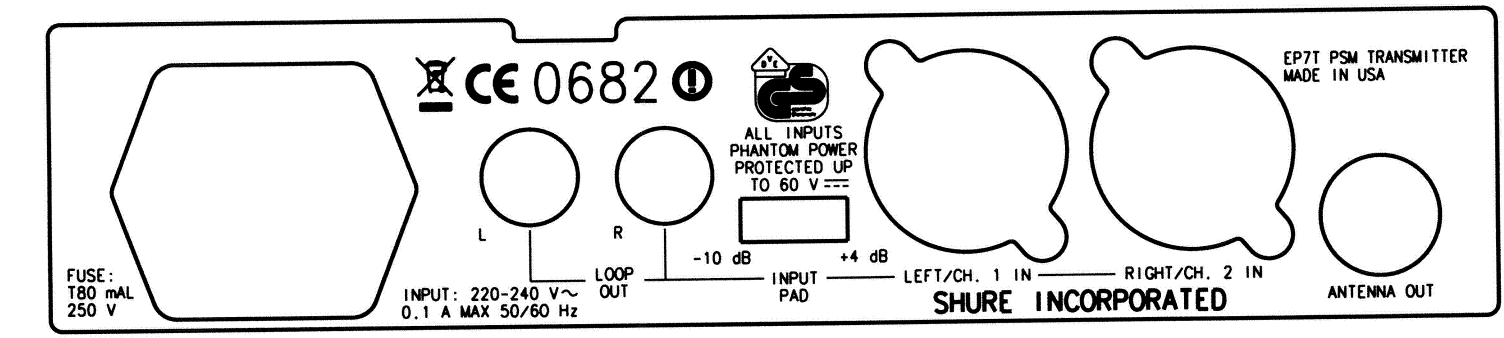
39D8424 (COPY IDENTICAL TO 39A8424 EXCEPT AS INDICATED)



39E8424 (COPY IDENTICAL TO 39A8424 EXCEPT AS INDICATED)

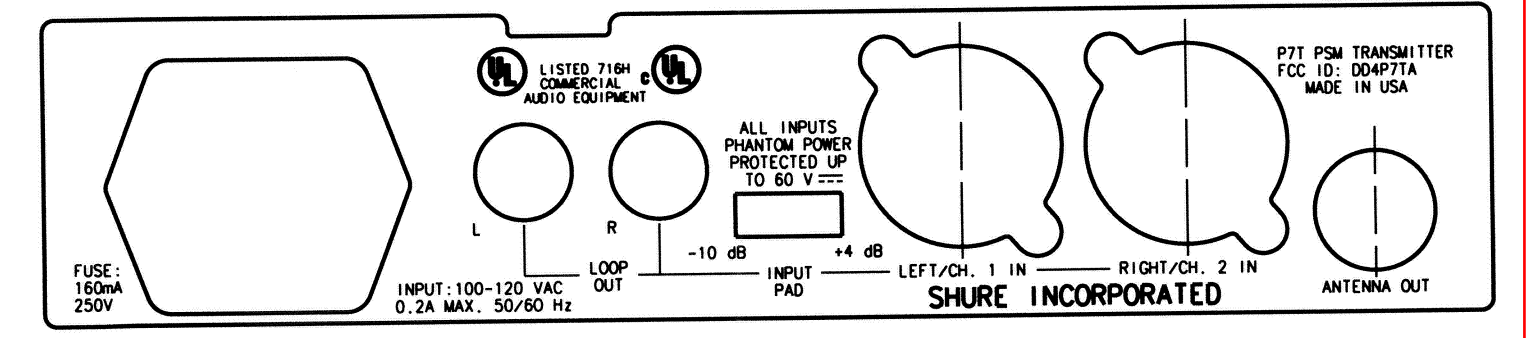


39F8424 (COPY IDENTICAL TO 39A8424 EXCEPT AS INDICATED)



39G8424 ARTWORK

CR 2074 (NOTE 12)



39H8424 ARTWORK

CR 2299 (NOTE 12)

- NOTES:
1. TOLERANCES: DECIMAL ±.010, HOLES ±.010, ANGLES ±1°, UNLESS OTHERWISE SPECIFIED.
  2. MATERIAL TO BE SUB-SURFACE PRINTED .010 THICK POLYCARBONATE WITH PRESSURE-SENSITIVE ADHESIVE SUITABLE FOR PERMANENT APPLICATION TO GALVANIZED STEEL AND BE UL AND CSA APPROVED. SUPPLIED WITH DRY RELEASE LINER.
  3. ARTWORK TO BE APPROVED BY SHURE INCORPORATED DESIGN ENGINEERING DEPT. PRIOR TO INITIAL PRODUCTION RUN.
  4. ALL COPY TO BE WHITE ON MATTE BLACK BACKGROUND.
  5. CENTER ALL COPY WITH ASSOCIATED HOLES WITHIN .016 T.I.R.
  6. ALL CHARACTERS TO BE .060 HIGH EUROSTYLE MEDIUM UNLESS OTHERWISE SPECIFIED.
  7. DIMENSIONS INDICATED BY AN ASTERISK (\*) ARE CRITICAL FOR PROPER FIT/CLEARANCE WITH MATING PARTS.
  8. CENTER ASSOCIATED TEXT VERTICALLY ON GRAPHICS LINE WITHIN .016 T.I.R.
  9. DRY RELEASE LINER TO BE NOT SPLIT.
  10. INDICATED GRAPHICS TO BE REPRODUCED FROM ARTWORK CR1323 AS SUPPLIED BY SHURE INCORPORATED DESIGN ENGINEERING DEPT.
  11. INDICATED GRAPHICS TO BE .060 IN HEIGHT AND REPRODUCED FROM ARTWORK CR1785 AS SUPPLIED BY SHURE INCORPORATED DESIGN ENGINEERING DEPT.
  12. ARTWORKS (SEE DRAWING) TO BE SUPPLIED BY SHURE INCORPORATED DESIGN ENGINEERING DEPT.

<b>CONFIDENTIAL</b> © 1998-2007 SHURE INCORPORATED		DRWG. NO. 39-8424
MATERIAL: NOTE 2	FINISH:	
NOTES: - DO NOT SCALE DRAWINGS. - DIMENSIONS SHOWN APPLY BEFORE PLATING. - ALL DIMENSIONS IN INCHES UNLESS OTHERWISE SPECIFIED.		
NOTICE THIS DRAWING IS THE PROPERTY OF SHURE INCORPORATED AND IS DISCLOSED TO YOU IN STRICT CONFIDENCE AND WITH THE UNDERSTANDING THAT IT IS NOT TO BE REPRODUCED, COPIED, OR USED EXCEPT FOR THE PURPOSE OF PRODUCING TOOLS OR PRODUCTS EXCLUSIVELY FOR SHURE INCORPORATED. COPIES OF THIS DRAWING ARE TO BE MADE ONLY WHEN NECESSARY FOR THE PURPOSE STATED ABOVE AND ALL COPIES MUST CONTAIN THIS NOTICE. THIS DRAWING AND ALL COPIES MUST BE RETURNED ON REQUEST.		SHURE INCORPORATED 5800 W. TOUHY AVE. NILES, IL 60714-4608 PH: (847) 856-2200 MICROPHONES AND AUDIO ELECTRONICS
PROJ. 16579	APPROVED KJM 4/4/99	APPROVED MJA 2/22/99 APPROVED MJA 2/24/99 LL APPROVED DJW 3/15/99