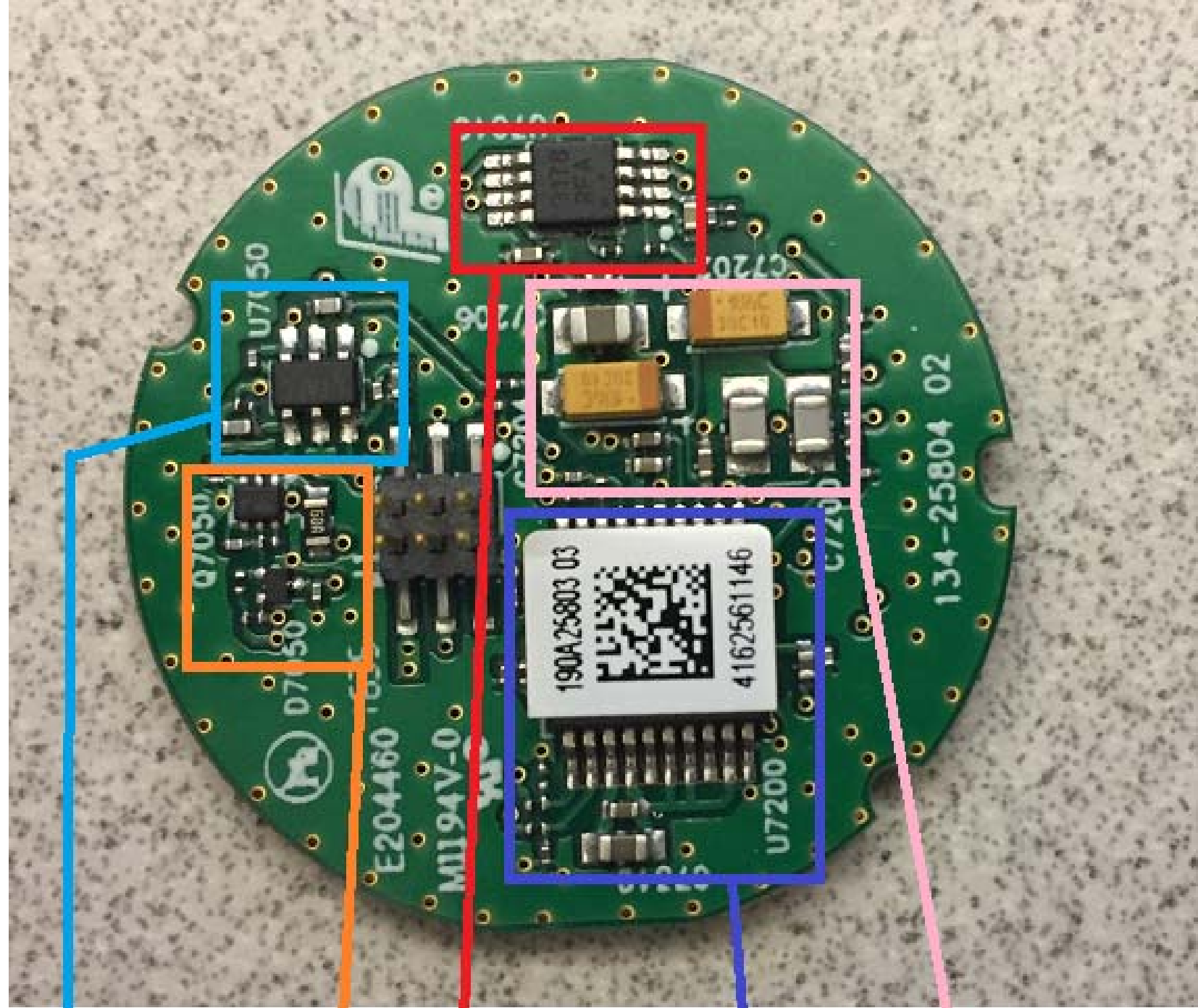


audio\_supply\_en logic translation

+5V cap

-5V cap



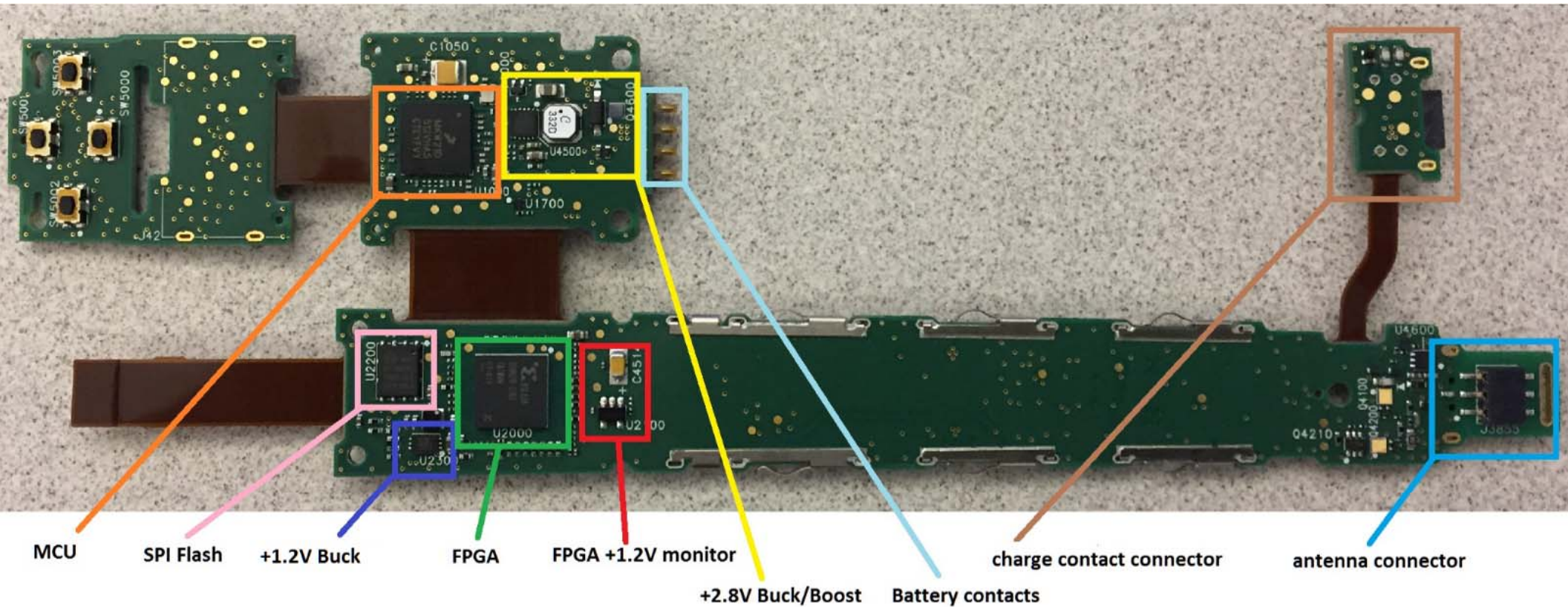
hi-gain opamp

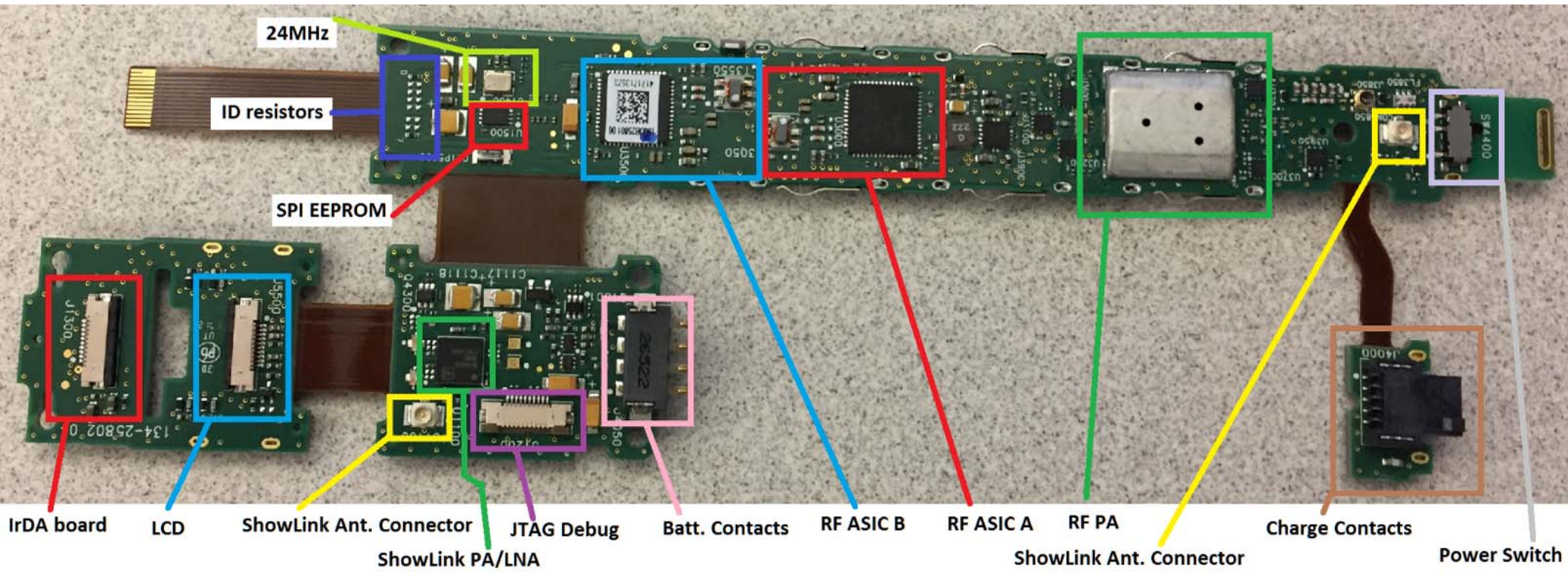
active clipping

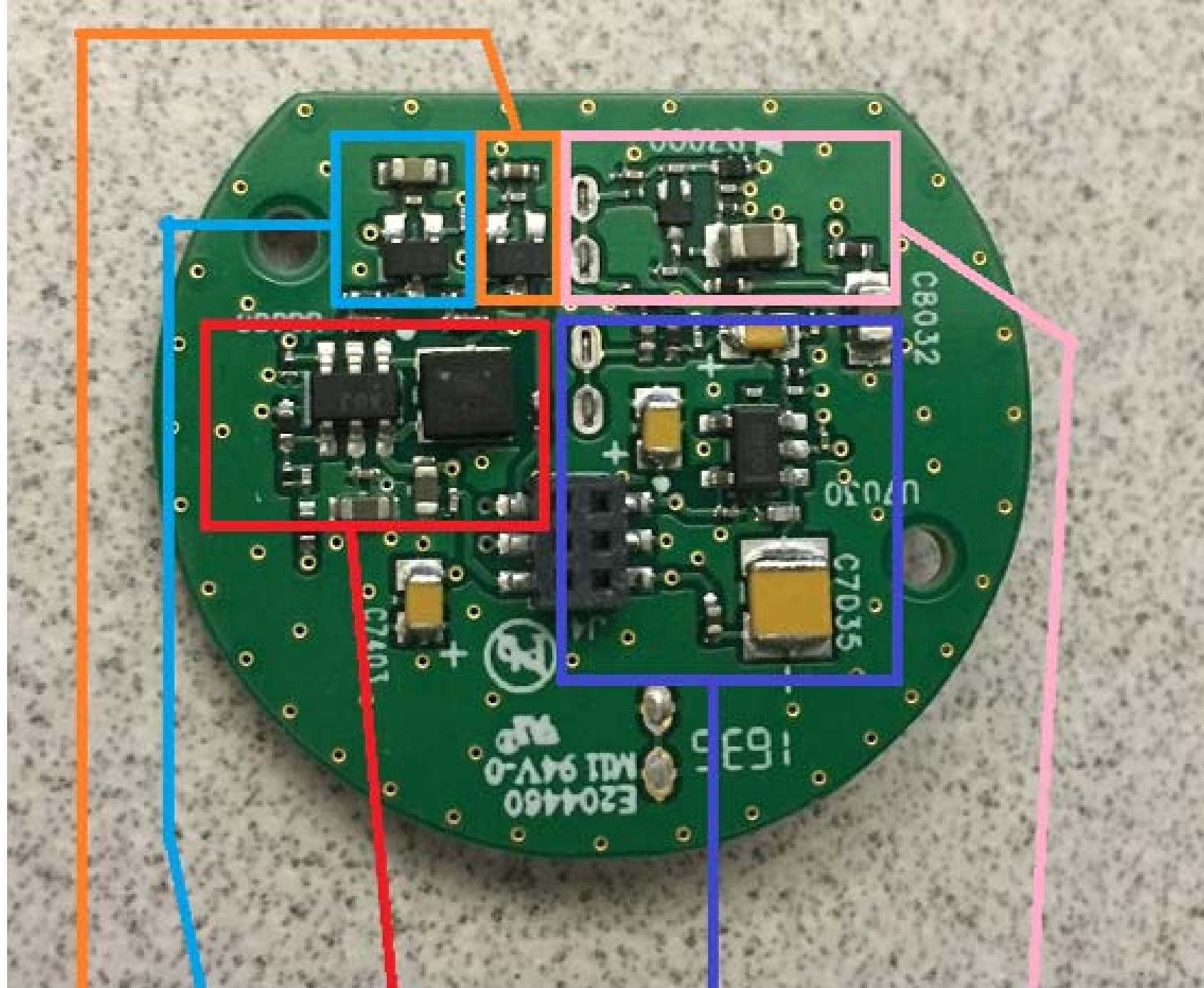
lo-gain opamp

PCM1803 ADC

ADC vref caps







**-5V rail**

**+10V rail**

**Switching Supply IC**

**Input buffer**

**Mic Bias Generation**

