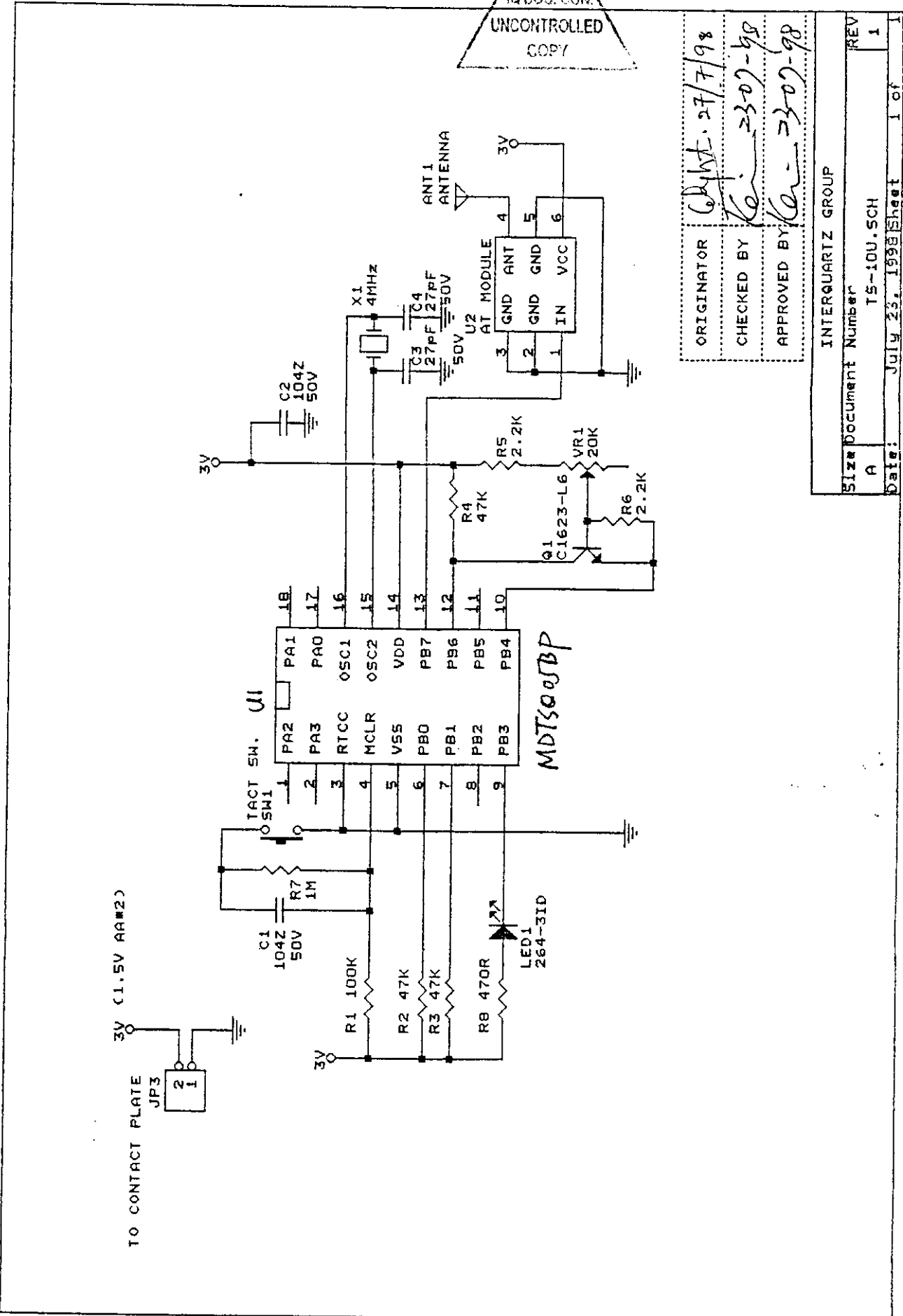
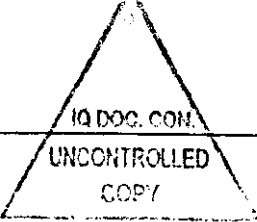


CIRCUIT DIAGRAM

FCC ID. No.: DC9TS-10U



ORIGINATOR *Chant. 27/7/98*
 CHECKED BY *Ke. 2309-98*
 APPROVED BY *Ke. 2309-98*

INTERQUARIZ GROUP	
Size	Document Number
A	T5-10U.SCH
Date:	July 23, 1998 Sheet 1 of 1
REV	1

TO CONTACT PLATE
JP3

MDT500BP