

## **Exhibit D**

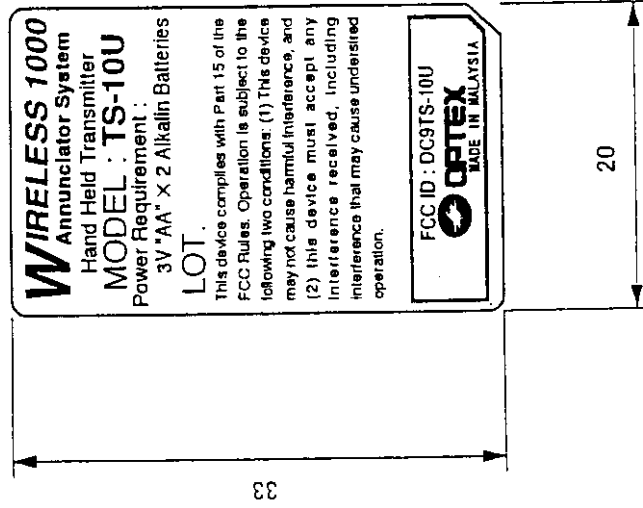
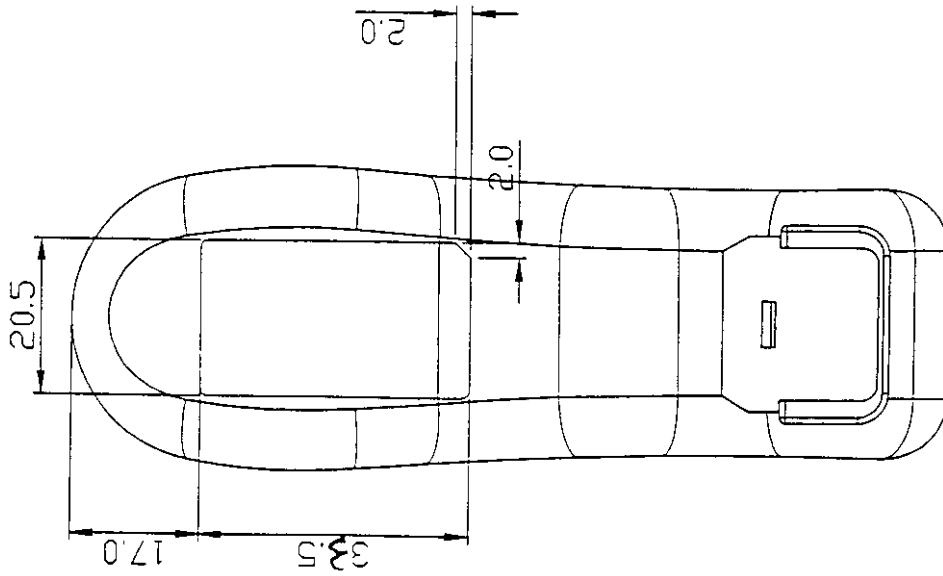
## **Equipment ID. Label**

**OPTEX CO., LTD.**

**FCC ID.:DC9TS-10U**

**Hand-Held Transmitter**



1. A label in the next page will be affixed to the device.



**WIRELESS 1000**  
 Annunciator System  
 Hand Held Transmitter  
**MODEL : TS-10U**  
 Power Requirement :  
 3V "AA" X 2 Alkaline Batteries  
**LOT.**  
 This device complies with Part 15 of the  
 FCC Rules. Operation is subject to the  
 following two conditions: (1) This device  
 may not cause harmful interference, and  
 (2) this device must accept any  
 interference received, including  
 interference that may cause undesired  
 operation.

FCC ID : DC9TS-10U  
  
 MADE IN MALAYSIA

*Kenia 26-9-98*

DRAWING NAME		MODEL	
- 8	±0.05	TS-10U	
8 - 25	±0.08	DRAWING NO.	
25 - 80	±0.12	LABEL	
80 - 250	±0.25	FILE NAME	PROJECT\OPTEX\SSYS
250 -	±0.5	DATE	23-07-98
TOLERANCE		APPROVAL	
BATRIA	REVISD	 23-07-98	
SCALE	UNITS		
1:1	mm		