



COMPANY LETTERHEAD

TUV SUD BAPT FCB  
 Octagon House, Segensworth Road,  
 Fareham, Hampshire, PO15 5RL

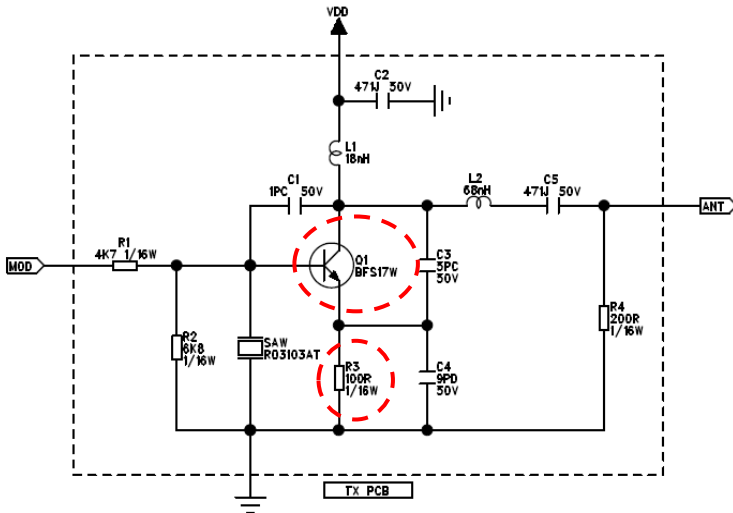
FCC ID: DC9TD-20U

Dear Sir or Madam,

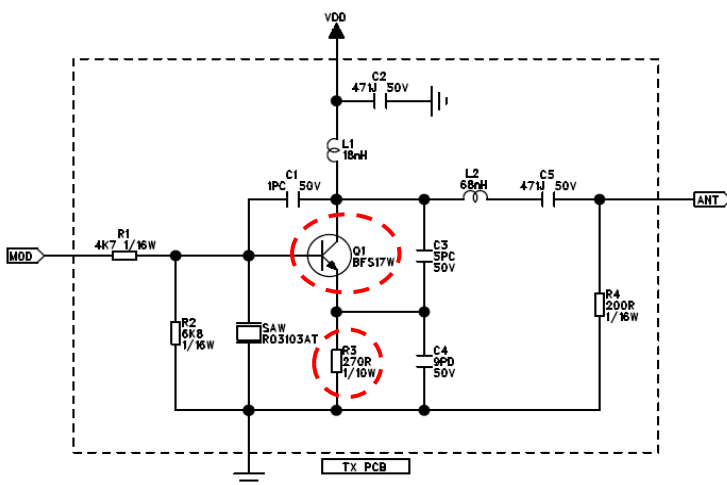
Per IC requirement, we would like to apply C2PC for following circuit modification. Change TX module component Q1 from existing BFS17W (Manufacturer: NXP) to BFS17W (Manufacturer: Infineon) and component R3 from existing 100Ω to 270Ω.

	Before	After	Component Location
TX Module	BFS17W Manufacturer: NXP	BFD17W Manufacturer: Infineon	Q1
	100Ω	270Ω	R3

Before Change (Existing)



After Change (New)



Name : Hiroaki Nakamura *H. Nakamura*  
 Title : General Manager, Product Design Administration Dept.