



Blank Page

Don't Forget To Delete Me!

BLOCK DIAGRAM & CIRCUIT DIAGRAM

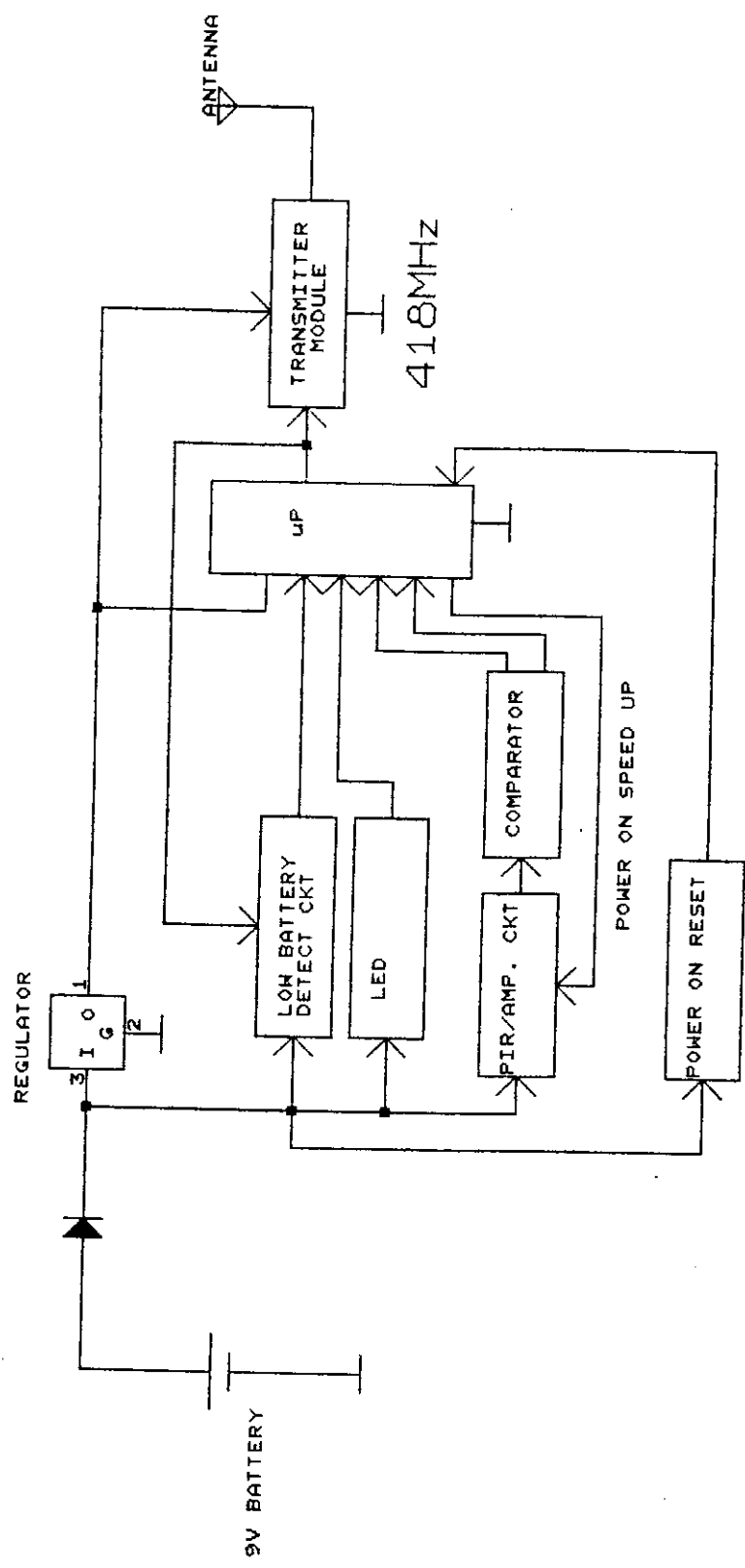
OPTEX CO., LTD.

FCC ID. No.: DC9TD-10U

Indoor/Outdoor Sensor Transmitter

BLOCK DIAGRAM

FCC ID. No.: DC9TD-10U



TD-10U BLOCK DIAGRAM

| | |
|-------------------|-----------------|
| INTERQUARTZ GROUP | |
| Size | Document Number |
| A | TD-BLK.5CH |
| Date: | July 24, 1998 |
| Sheet | 1 of 1 |
| REV | 1 |