

BLOCK DIAGRAM & CIRCUIT DIAGRAM

OPTEX CO., LTD.

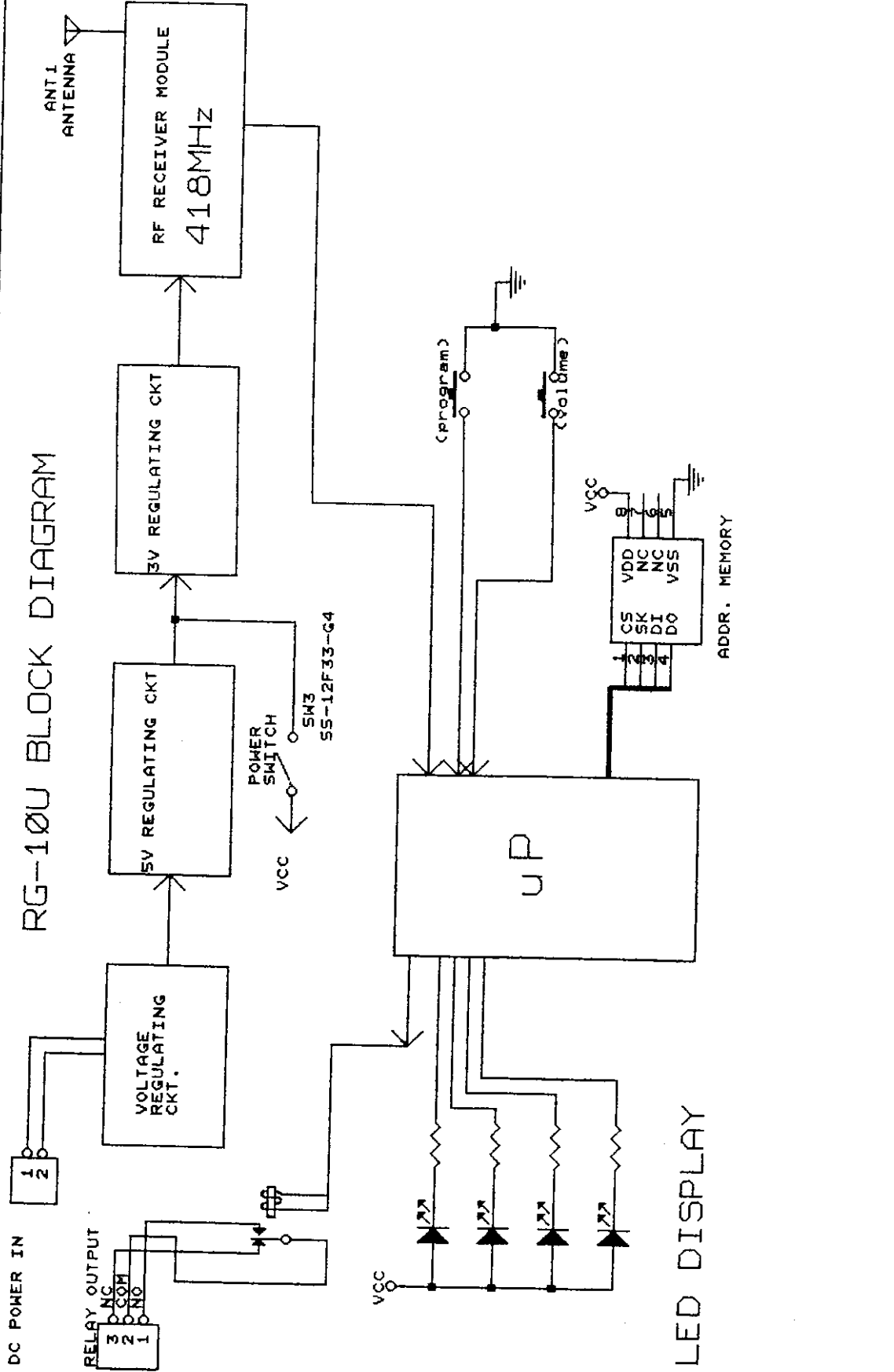
FCC ID. No.: DC9RG-10U

Single Relay Receiver

BLOCK DIAGRAM

FCC ID. No.: DC9RG-10U

RG-10U BLOCK DIAGRAM



INTERQUARTZ GROUP	
Size	Document Number
A	RG-BLK.5CH
Date:	July 24, 1998 Sheet 1 of 1
REV	1