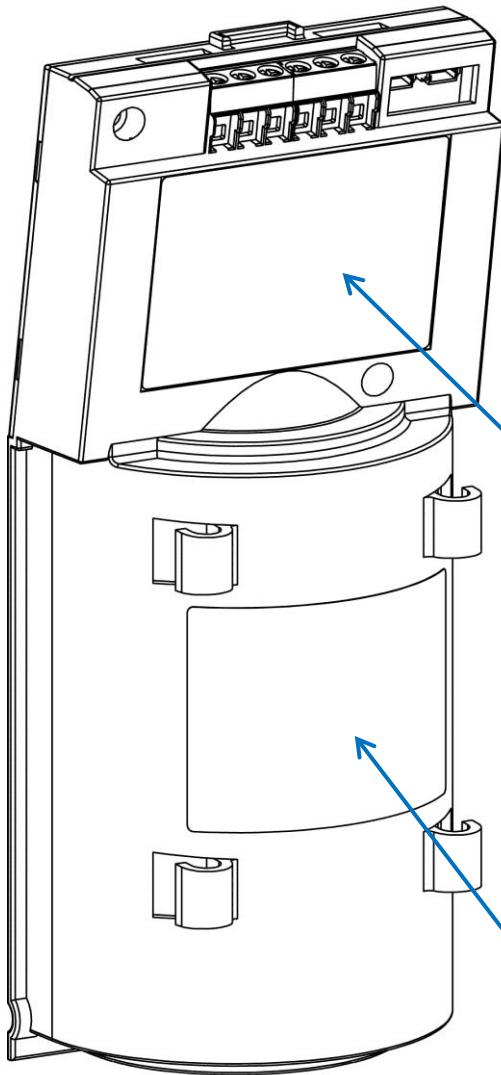


OVS-01 LABEL

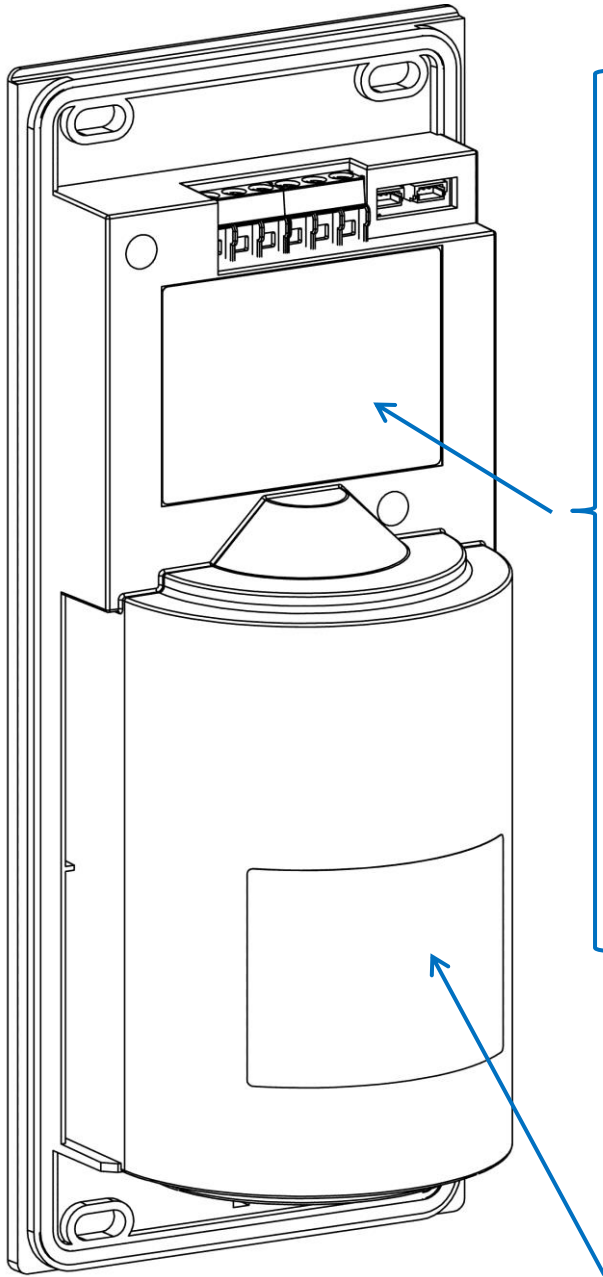


+	-	OUTPUT1	OUTPUT2
OPTEX			
VEHICLE SENSOR for BARRIER GATE			
OVS-01BG			
SER. xxxxxxxxS			
POWER SUPPLY: 12 to 24VDC			
CURRENT DRAW: 200mA max. (24V)			
			QR CODE
MADE IN JAPAN			

+	-	OUTPUT1	OUTPUT2
OPTEX			
VEHICLE SENSOR for PARKING			
OVS-01PK			
SER. xxxxxxxxS			
POWER SUPPLY: 12 to 24VDC			
CURRENT DRAW: 200mA max. (24V)			
			QR CODE
MADE IN JAPAN			

+	-	OUTPUT1	OUTPUT2
OPTEX			
VEHICLE SENSOR for COUNTING			
OVS-01CC			
SER. xxxxxxxxS			
POWER SUPPLY: 12 to 24VDC			
CURRENT DRAW: 200mA max. (24V)			
			QR CODE
MADE IN JAPAN			

FC	FCC ID : DC9-OVS01
<p>This device complies with Part 15 of the FCC Rules. Operation is subject to the following two conditions: (1) this device may not cause harmful interference, and (2) this device must accept any interference received, including interference that may cause undesired operation.</p>	



+	-	OUTPUT1	OUTPUT2
OPTEX			
VEHICLE SENSOR for BARRIER GATE			
OVS-01BGB			
SER. xxxxxxxxS			
POWER SUPPLY: 12 to 24VDC			
CURRENT DRAW: 200mA max. (24V)			
MADE IN JAPAN			QR CODE

+	-	OUTPUT1	OUTPUT2
OPTEX			
VEHICLE SENSOR for PARKING			
OVS-01PKB			
SER. xxxxxxxxS			
POWER SUPPLY: 12 to 24VDC			
CURRENT DRAW: 200mA max. (24V)			
MADE IN JAPAN			QR CODE

+	-	OUTPUT1	OUTPUT2
OPTEX			
VEHICLE SENSOR for COUNTING			
OVS-01CCB			
SER. xxxxxxxxS			
POWER SUPPLY: 12 to 24VDC			
CURRENT DRAW: 200mA max. (24V)			
MADE IN JAPAN			QR CODE

FC FCC ID : DC9-OVS01

This device complies with Part 15 of the FCC Rules. Operation is subject to the following two conditions: (1) this device may not cause harmful interference, and (2) this device must accept any interference received, including interference that may cause undesired operation.