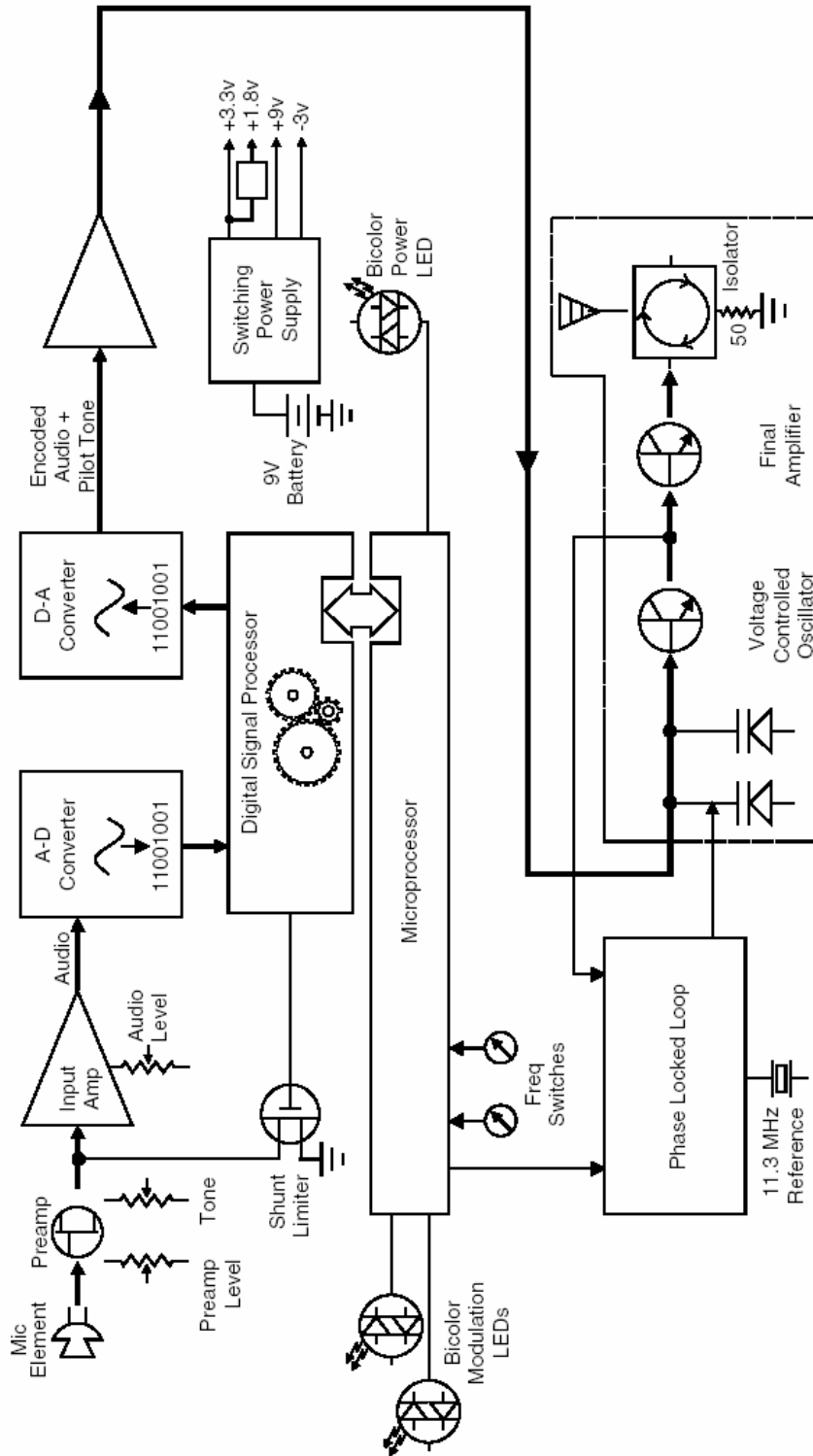


Block Diagram for UT 400.



ROGERS LABS, INC.
 4405 W. 259th Terrace
 Louisburg, KS 66053
 Phone/Fax: (913) 837-3214

LectroSonics Inc.
 MODEL: UT400
 Test #: 030924 FCCID#: DBZ UT400
 Test to: FCC Parts 2 and 74