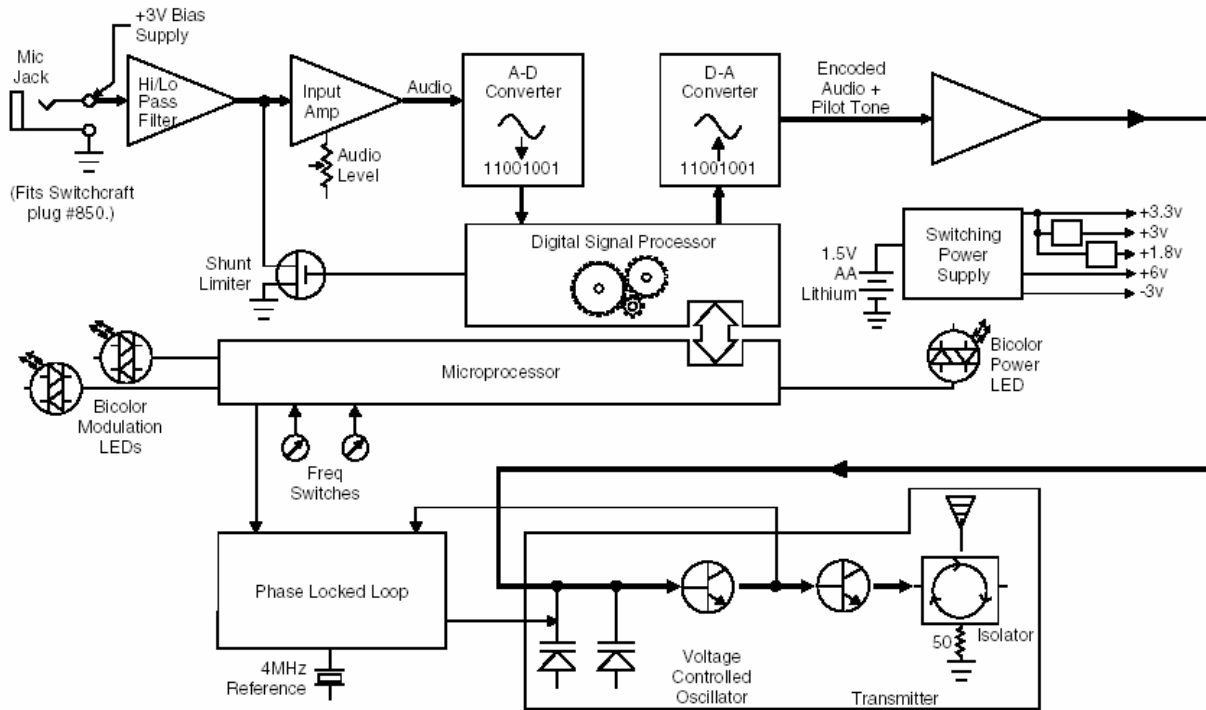


Block Diagram for LM 400.



ROGERS LABS, INC.  
 4405 W. 259th Terrace  
 Louisburg, KS 66053  
 Phone/Fax: (913) 837-3214

LectroSonics Inc.  
 MODEL: LM400  
 Test #: 030129 FCCID#: DBZ LM400  
 Test to: FCC Parts 2 and 74