

External photographs of IFBT4V equipment



ROGERS LABS, INC.  
4405 W. 259th Terrace  
Louisburg, KS 66053  
Phone/Fax: (913) 837-3214

LectroSonics Inc.  
MODEL: IFBT4  
Test #: 061019  
Test to: FCC Parts 2 and 74

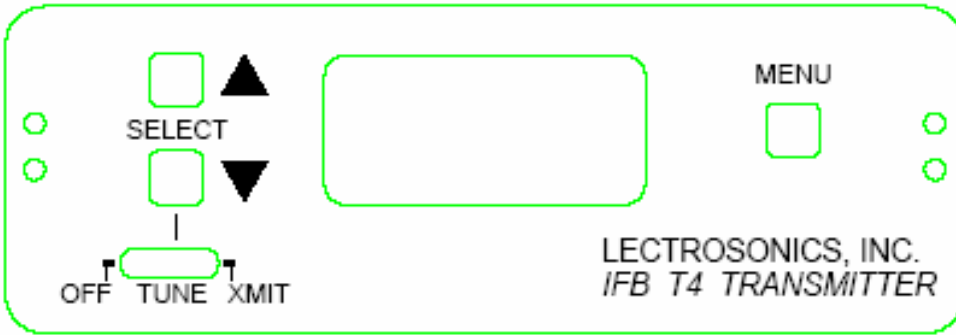
FCCID#: DBZIFBT4V  
S/N:465



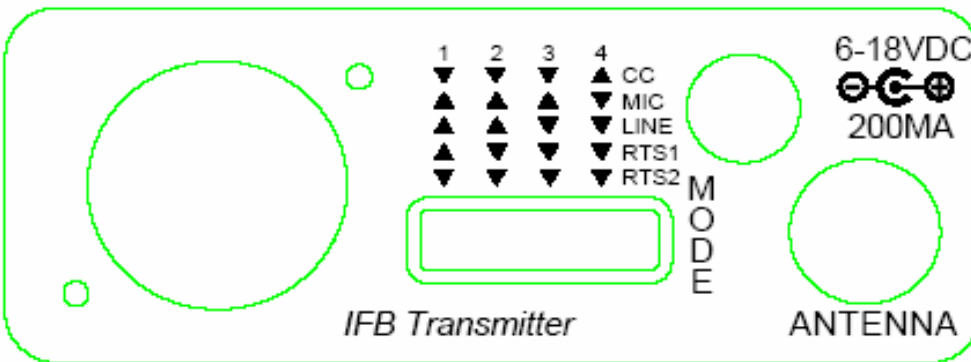
ROGERS LABS, INC.  
4405 W. 259th Terrace  
Louisburg, KS 66053  
Phone/Fax: (913) 837-3214

LectroSonics Inc.  
MODEL: IFBT4  
Test #: 061019  
Test to: FCC Parts 2 and 74

FCCID#: DBZIFBT4V  
S/N:465



Front panel switches and operational diagram.



Rear panel switches, connections, and operational diagram.