

External photographs of IFBT4M equipment



ROGERS LABS, INC.
4405 W. 259th Terrace
Louisburg, KS 66053
Phone/Fax: (913) 837-3214

LectroSonics Inc.
MODEL: IFBT4
Test #: 061017A
Test to: FCC Parts 2 and 74

FCCID#: DBZIFBT4M
S/N:P457



- TO OPERATE:
1. Set rear MODE switches for input type.
 2. Connect antenna and power.
 3. Set front switch to TUNE (no RF output).
 4. Select frequency: Step MENU key to CH/FREQ window. Use up/dn (▲▼) keys to select.
 5. Set Audio Level: Step MENU key to SETUP, up ▲ MENU, set level using up/dn (▲▼) keys.
 6. Set front switch to XMIT (Locks frequency).
 7. LOCK and UNLOCK: Press and hold MENU for 6 seconds.
 8. Step MENU to SELECT window for other functions.



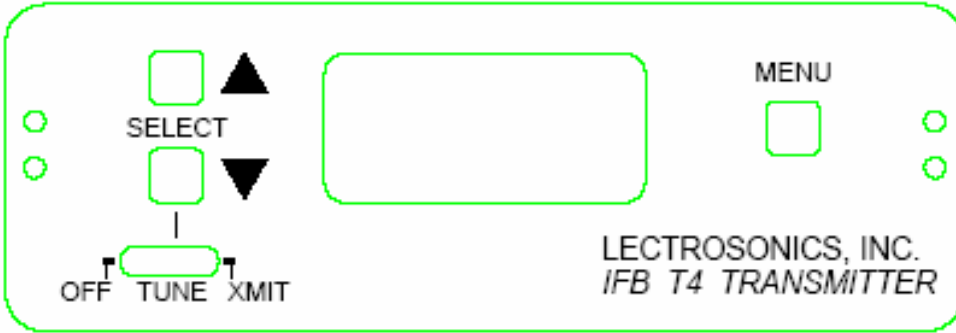
FCC ID: DBZIFBT4
LectroSonics, Inc.
Made in USA

UHF IFB Transmitter
Model: IFBT4
S/N: P457
Block: 25 (GN)
Pwr Req: 11-18 VDC, 250mA

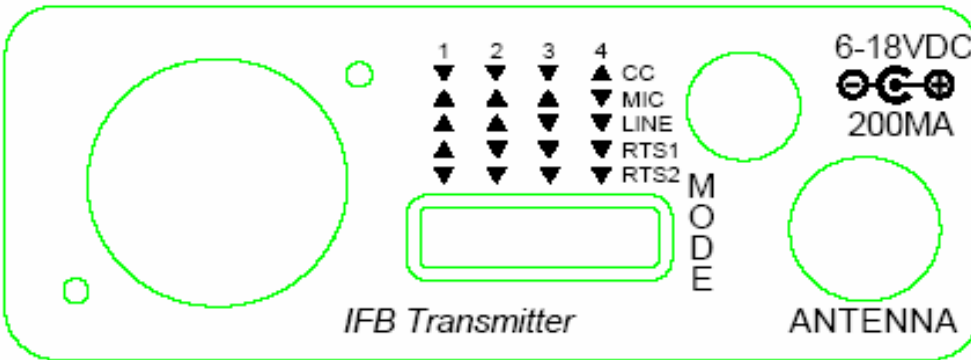
ROGERS LABS, INC.
4405 W. 259th Terrace
Louisburg, KS 66053
Phone/Fax: (913) 837-3214

LectroSonics Inc.
MODEL: IFBT4
Test #: 061017A
Test to: FCC Parts 2 and 74

FCCID#: DBZIFBT4M
S/N:P457



Front panel switches and operational diagram.



Rear panel switches, connections, and operational diagram.