

External photographs of IFBT4L equipment



ROGERS LABS, INC.
4405 W. 259th Terrace
Louisburg, KS 66053
Phone/Fax: (913) 837-3214

LectroSonics Inc.
MODEL: IFBT4
Test #: 061017
Test to: FCC Parts 2 and 74

FCCID#: DBZIFBT4L
S/N:P452

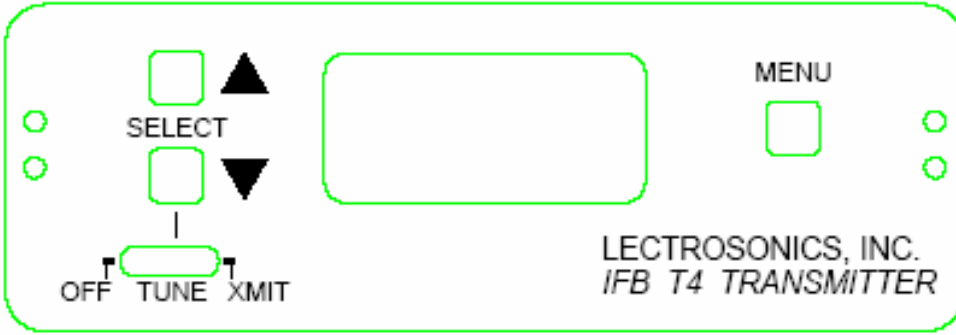


ROGERS LABS, INC.
4405 W. 259th Terrace
Louisburg, KS 66053
Phone/Fax: (913) 837-3214

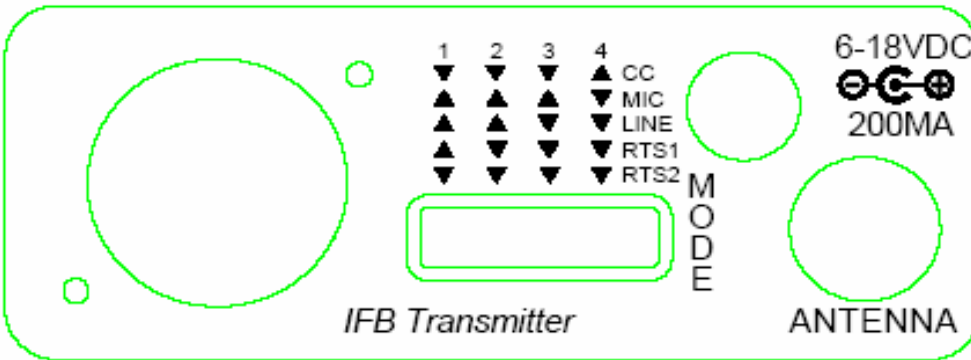
LectroSonics Inc.
MODEL: IFBT4
Test #: 061017
Test to: FCC Parts 2 and 74

FCCID#: DBZIFBT4L
S/N:P452

Page 2 of 3



Front panel switches and operational diagram.



Rear panel switches, connections, and operational diagram.