

External photographs of IFBT4H equipment



ROGERS LABS, INC.
4405 W. 259th Terrace
Louisburg, KS 66053
Phone/Fax: (913) 837-3214

LectroSonics Inc.
MODEL: IFBT4
Test #: 061018
Test to: FCC Parts 2 and 74

FCCID#: DBZIFBT4H
S/N:463



TO OPERATE:

1. Set rear MODE switches for input type.
2. Connect antenna and power.
3. Set front switch to TUNE (no RF output).
4. Select frequency: Step MENU key to CH/FREQ window. Use up/dn (▲▼) keys to select.
5. Set Audio Level: Step MENU key to SETUP, up ▲ MENU, set level using up/dn (▲▼) keys.
6. Set front switch to XMIT (Locks frequency).
7. LOCK and UNLOCK: Press and hold MENU for 6 seconds.
8. Step MENU to SELECT window for other functions.



FCC ID: DBZIFBT4
LectroSonics, Inc.
Made in USA

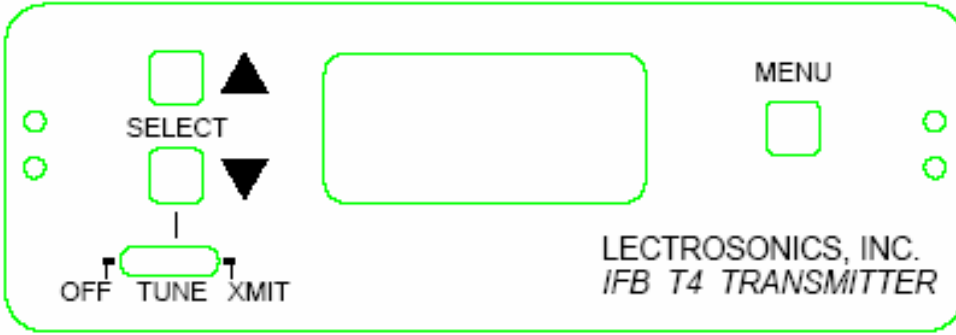
UHF IFB Transmitter
Model: IFBT4
S/N: P463
Block: 29 (WH)
Pwr Req: 11-18 VDC, 250mA

ROGERS LABS, INC.
4405 W. 259th Terrace
Louisburg, KS 66053
Phone/Fax: (913) 837-3214

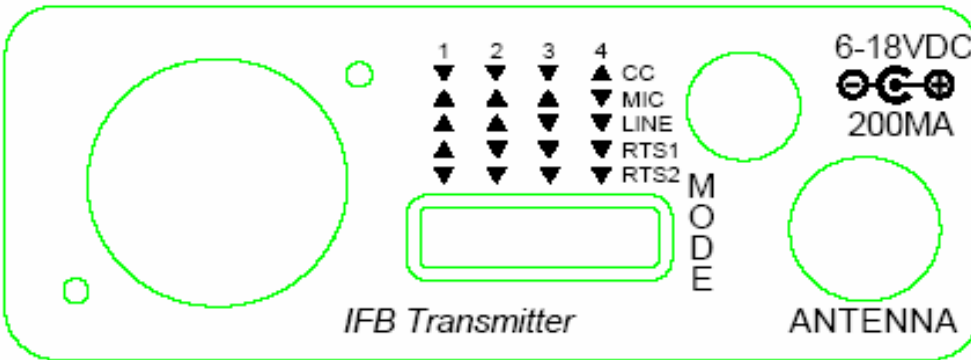
LectroSonics Inc.
MODEL: IFBT4
Test #: 061018
Test to: FCC Parts 2 and 74

FCCID#: DBZIFBT4H
S/N:463

Page 2 of 3



Front panel switches and operational diagram.



Rear panel switches, connections, and operational diagram.