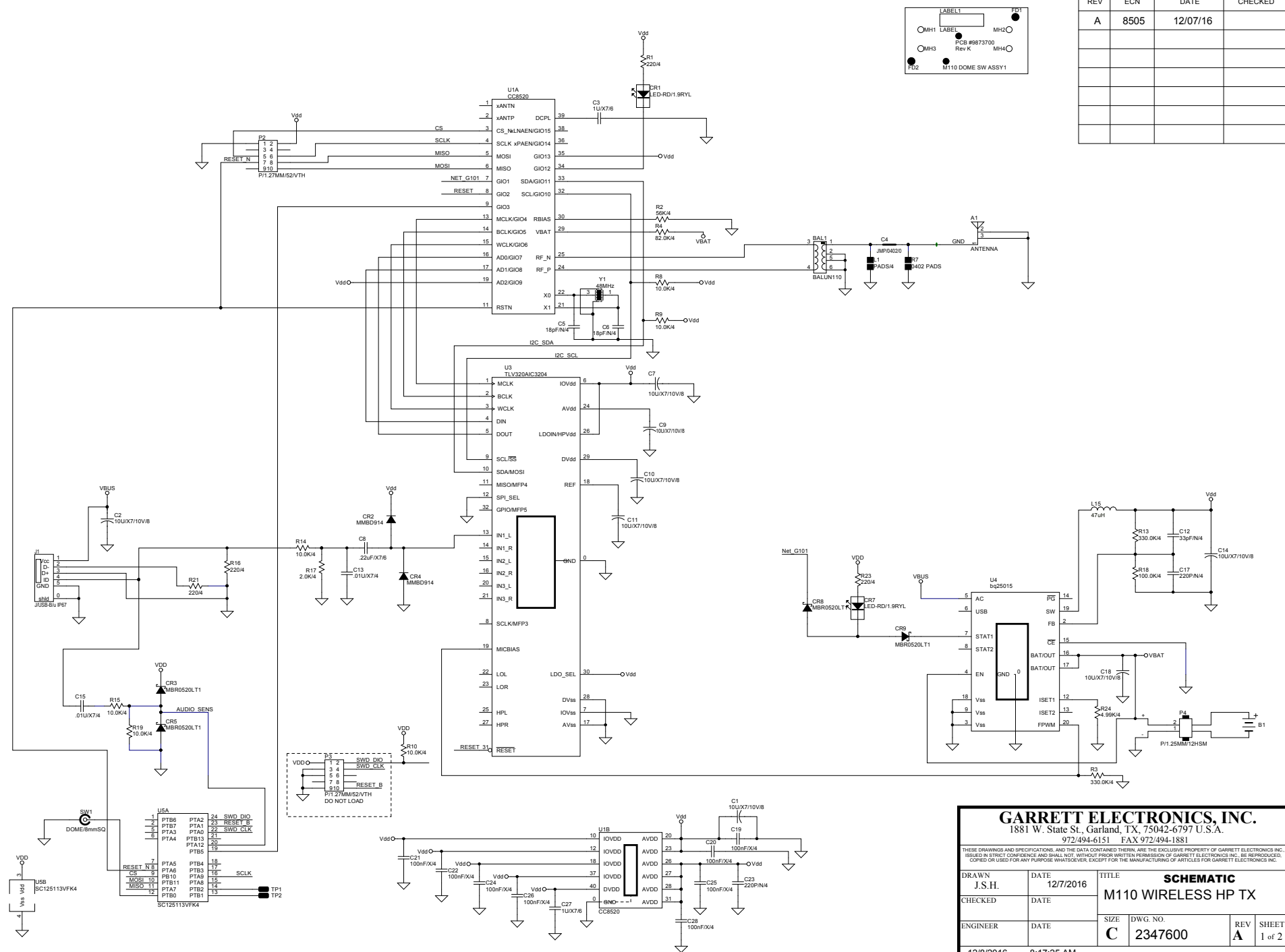
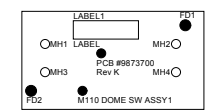


REVISIONS

REV	ECN	DATE	CHECKED
A	8505	12/07/16	



**GARRETT ELECTRONICS, INC.**  
 1881 W. State St., Garland, TX, 75042-6797 U.S.A.  
 972-494-6151 FAX 972-494-1881

THESE DRAWINGS AND SPECIFICATIONS AND THE DATA CONTAINED THEREIN, ARE THE EXCLUSIVE PROPERTY OF GARRETT ELECTRONICS INC. ISSUED IN STRICT CONFIDENCE AND SHALL NOT, WITHOUT PRIOR WRITTEN PERMISSION OF GARRETT ELECTRONICS INC. BE REPRODUCED, COPIED OR USED FOR ANY PURPOSE WHATSOEVER, EXCEPT FOR THE MANUFACTURING OF ARTICLES FOR GARRETT ELECTRONICS INC.

DRAWN J.S.H.	DATE 12/7/2016	TITLE <b>SCHEMATIC</b>
CHECKED	DATE	<b>M110 WIRELESS HP TX</b>
ENGINEER	DATE	SIZE DWG. NO. <b>C 2347600</b>
12/8/2016 8:17:25 AM		REV <b>A</b> SHEET 1 of 2

O:\Circuits\Schematics\M110M110\_TX\_2347600A.SchDoc