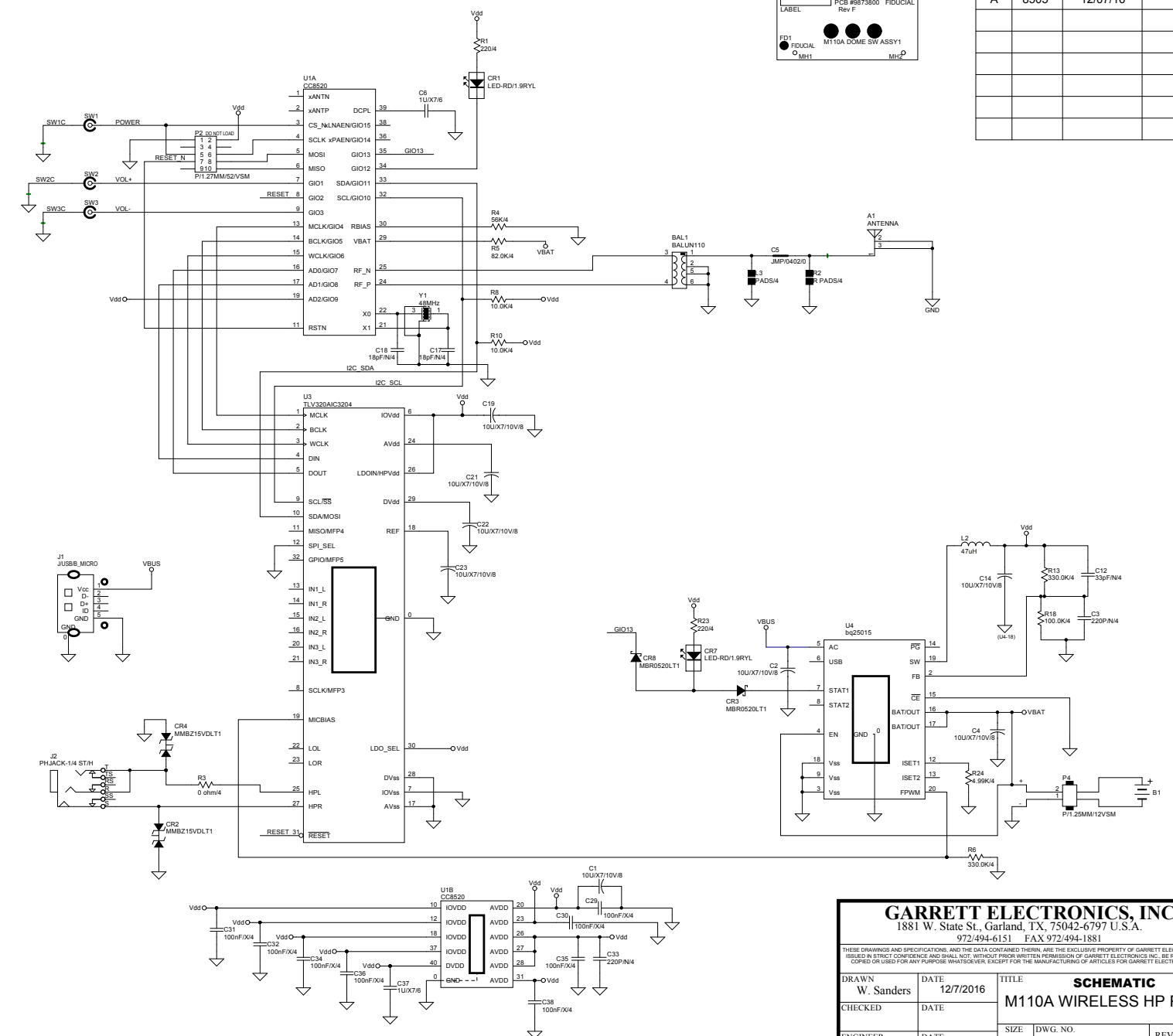
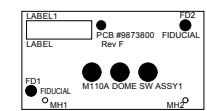


REVISIONS

| REV | ECN | DATE | CHECKED |
|-----|------|----------|---------|
| A | 8505 | 12/07/16 | |
| | | | |
| | | | |
| | | | |
| | | | |
| | | | |
| | | | |
| | | | |



GARRETT ELECTRONICS, INC.
 1881 W. State St., Garland, TX, 75042-6797 U.S.A.
 972/494-6151 FAX 972/494-1881

THESE DRAWINGS AND SPECIFICATIONS, AND THE DATA CONTAINED THEREIN, ARE THE EXCLUSIVE PROPERTY OF GARRETT ELECTRONICS INC. REPRODUCED IN STRICT CONFIDENCE AND SHALL NOT, WITHOUT PRIOR WRITTEN PERMISSION OF GARRETT ELECTRONICS INC., BE REPRODUCED, COPIED OR USED FOR ANY PURPOSE WHATSOEVER, EXCEPT FOR THE MANUFACTURING OF ARTICLES FOR GARRETT ELECTRONICS INC.

| | | |
|----------------------|-------------------|-----------------------------------|
| DRAWN W. Sanders | DATE 12/7/2016 | TITLE SCHEMATIC |
| CHECKED | DATE | M110A WIRELESS HP RX |
| ENGINEER | DATE | SIZE DWG. NO. C 2347700 |
| 12/8/2016 8:24:53 AM | | REV SHEET A 1 of 2 |

O:\Circuits\Schematics\M110M110A RX_2347700A.SchDoc