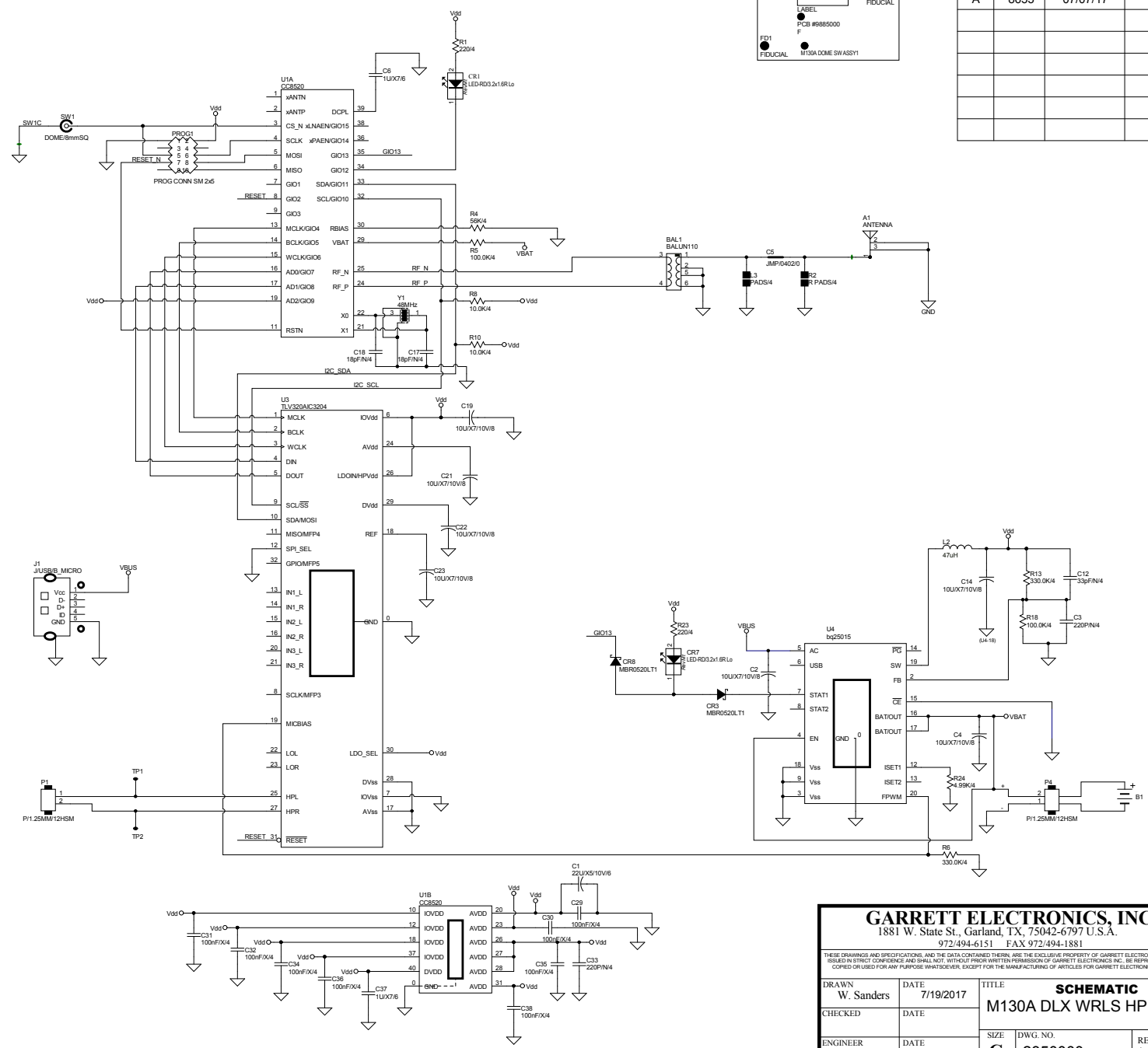
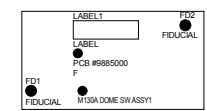


REVISIONS

REV	ECN	DATE	CHECKED
A	8653	07/07/17	



**GARRETT ELECTRONICS, INC.**  
 1881 W. State St., Garland, TX, 75042-6797 U.S.A.  
 972/494-6151 FAX 972/494-1881

THESE DRAWINGS AND SPECIFICATIONS, AND THE DATA CONTAINED THEREIN, ARE THE EXCLUSIVE PROPERTY OF GARRETT ELECTRONICS INC. ISSUED IN STRICT CONFIDENCE AND SHALL NOT, WITHOUT PRIOR WRITTEN PERMISSION OF GARRETT ELECTRONICS INC. BE REPRODUCED, COPIED OR USED FOR ANY PURPOSE WHATSOEVER, EXCEPT FOR THE MANUFACTURING OF ARTICLES FOR GARRETT ELECTRONICS INC.

DRAWN W. Sanders	DATE 7/19/2017	TITLE <b>SCHMATIC</b>
CHECKED	DATE	<b>M130A DLX WRLS HP</b>
ENGINEER	DATE	SIZE DWG. NO. <b>C 2350000</b>
8/16/2017	2:12:20 PM	REV SHEET <b>A 1 of 2</b>

O:\Circuits\Schematics\M130A\_DLX HP\M130A\_2350000rA.SchDoc