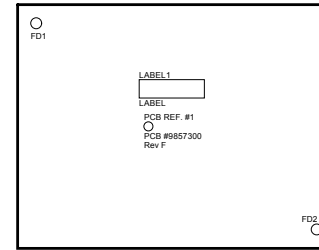
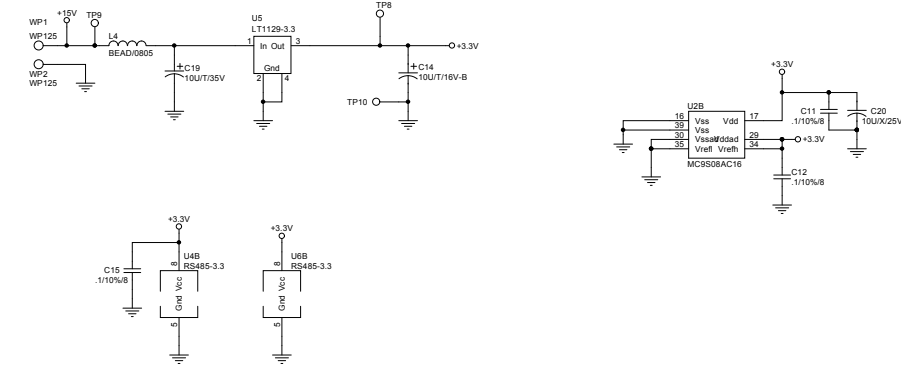
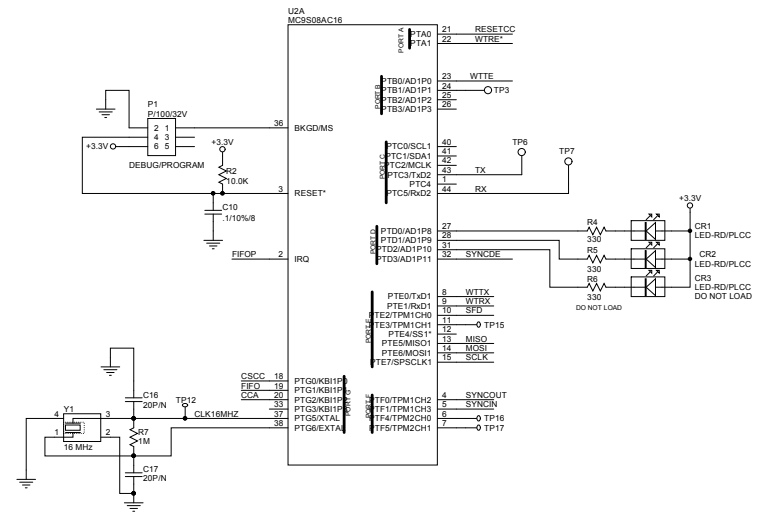
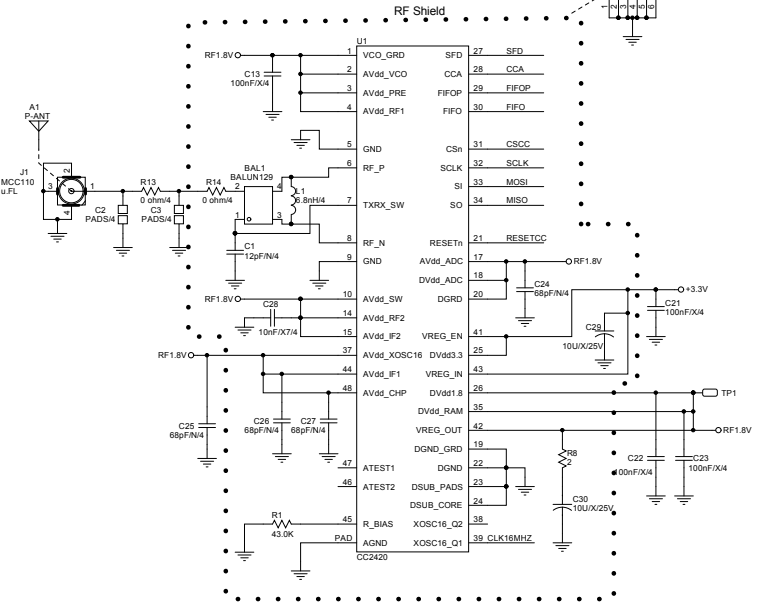


MECHANICAL COMPONENTS



REVISIONS

REV	ECN	DATE	CHECKED
A	7438	09/26/11	WAS
B	7680	03/21/13	WAS
B1	8087	12/10/14	WAS
C	8150	03/20/15	WAS
C1	8180	06/10/15	WAS
D	8198	07/01/15	



REFERENCE PCB #

GARRETT ELECTRONICS, INC.

1881 W. State St., Garland, TX, 75042-6797 U.S.A.
972/494-6151 FAX 972/494-1881

THESE DRAWINGS AND SPECIFICATIONS, AND THE DATA CONTAINED THEREIN, ARE THE EXCLUSIVE PROPERTY OF GARRETT ELECTRONICS INC. REPRODUCED IN STRICT CONFIDENCE AND SHALL NOT, WITHOUT PRIOR WRITTEN PERMISSION OF GARRETT ELECTRONICS INC. BE REPRODUCED, COPIED OR USED FOR ANY PURPOSE WHATSOEVER, EXCEPT FOR THE MANUFACTURING OF ARTICLES FOR GARRETT ELECTRONICS INC.

DRAWN W. Sanders	DATE 7/9/2015	TITLE M129 RF SYNC MOD
CHECKED	DATE	SIZE DWG. NO. C 2344800
ENGINEER	DATE	REV SHEET C1 1 of 2