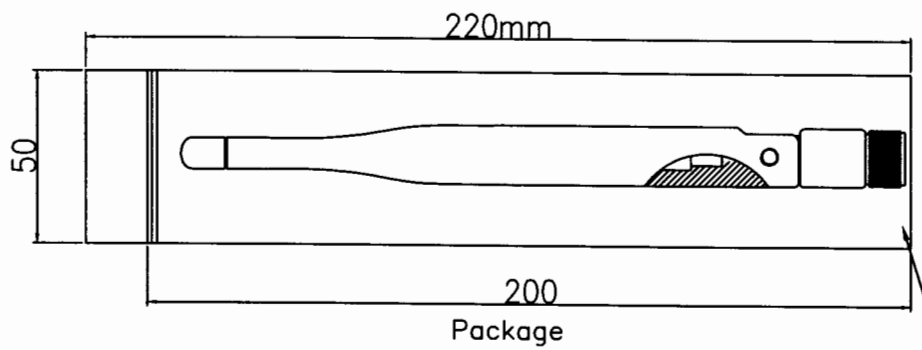
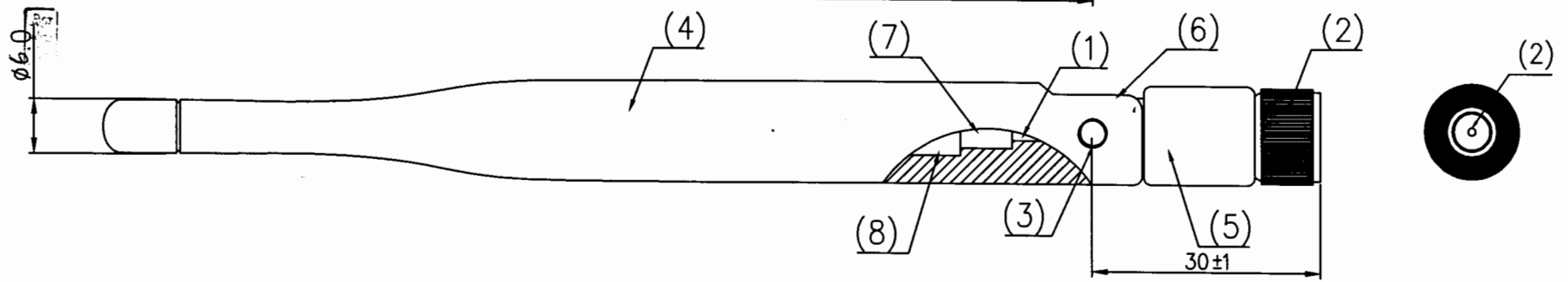
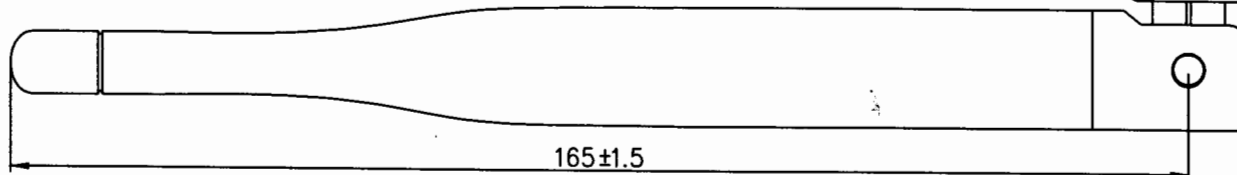


6		5		4		3		2		1				
LTR	Zone	REVISION RECORD / Description		DWN	CHK	DATE	LTR	Zone	REVISION RECORD / Description		DWN	CHK	DATE	DRAWING NUMBER
1		New Release				Oct/4/06								F1B_5DB316-52
2														



671-001048R Rev=A
 P/N = F1B_5DB316-52 1/1



9	PE BAG 夾袋 50*200mm T=0.04	1		M09-0112N0-00
8	fixing device	1		M04-3BS5DB-00
7	Brass Tube	1	Brass	M06-045247-00
6	Upper Holder : Black	1	ABS	M04-3BS030-02
5	Lower Holdr : Black	1	ABS	M04-3BS030-01
4	Cover : Black	1	TPE	M04-3BS040-03
3	Rivet : Black	2	Stainless	M06-202040-01
2	CN RP- B-SMA Plug (Cr plated)	1	Brass	M01-053020-AB
1	COAXIAL CABLE RG316	1		M02-316WON-00
NO	DESCRIPTION	Q'ty	MATERIAL	Part Number

Lct LONG CHENG ELECTRONICS CO. LTD
 龍呈國際科技有限公司

UNIT	APVD
mm	
MATERIAL	CHK
SEE NOTE	
FINISH	DWN
SEE NOTE	MIAO

DESCRIPTION: 2.4Gz 5DB B-SMA(MF) S-Ant.(Black)+PE BAG		
DIMENSION:	PART NUMBER	REV
1 PLC ±0.5	F1B_5DB316-52	1
2 PLC ±0.3		
3 PLC ±0.2	SIZE	SHEET
ANGLES ±5°	A4	1 OF 1
	SCALE	
	1/1	

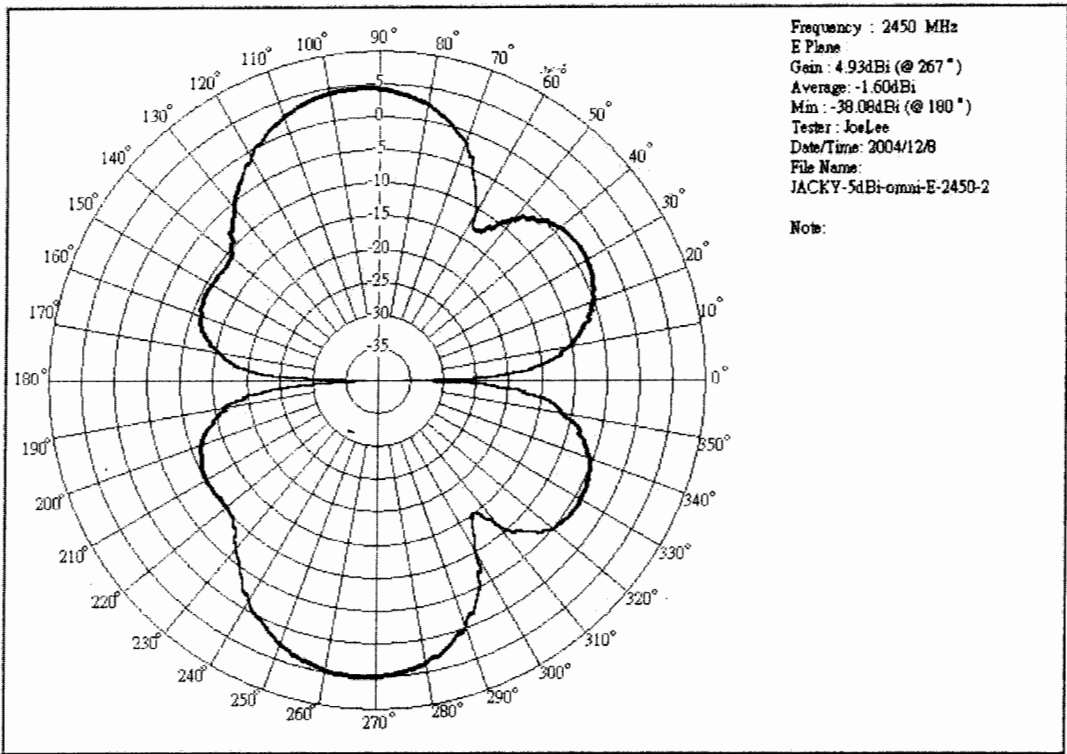
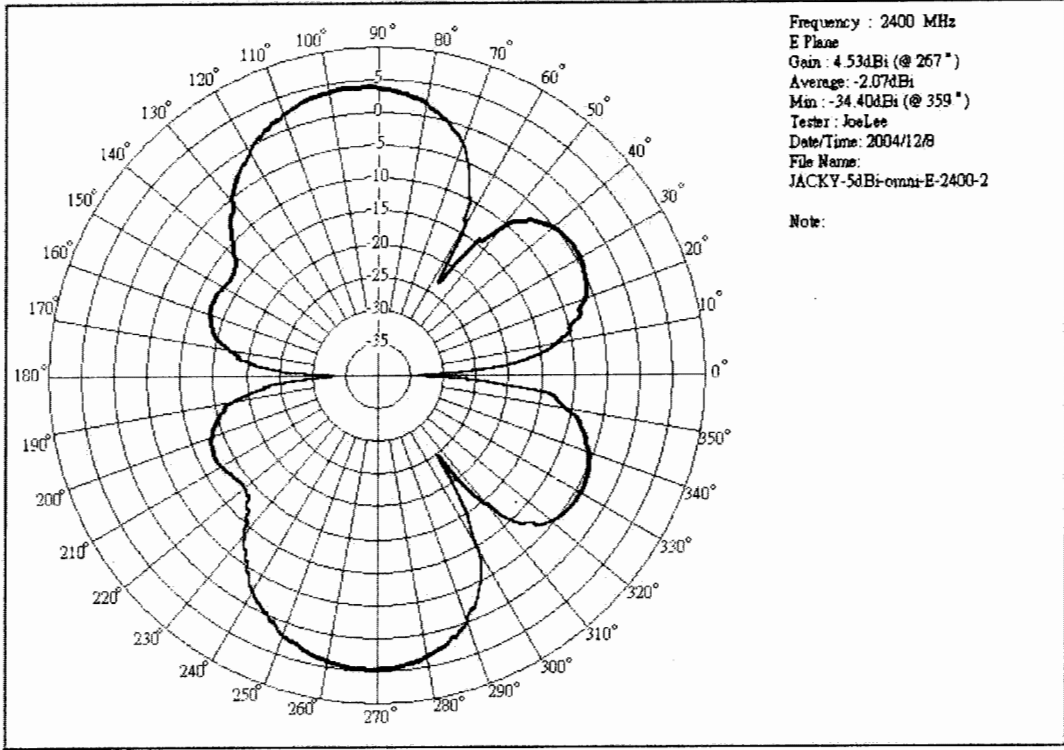
機械特性規格

Mechanical Specifications

接頭種類 (Connector Type)	RP-SMA Plug (B-SMA)
塑膠顏色 (Plastic Color)	Black
同軸線材 (Coaxial Cable Type)	RG316
同軸線材規格 (Coaxial Cable Spec.)	See attached file
天線罩材質 (Radom Material)	TPE
同軸線材顏色 (Coaxial Cable Color)	Orange
輻射材料 (Radiator Material)	N/A
工作溫度與溼度 (Working Temperature & Humidity)	-20°C - +60°C 90% @ 25°C
儲存溫度與溼度 (Storage Temperature & Humidity)	-40°C - +75°C 95% @ 25°C
重量 (Weight)	31gMax.

電氣特性規格
Electrical Specifications

頻率範圍 (Frequency Range)	2400MHZ - 2500MHZ
增益 (Gain)	Gain Range: 5dBi
電壓駐波比 (VSWR) Return Loss Isolation Test	VSWR \leq 2
極化 (Polarzation)	Linear, Vertical
半功率水平波束寬 (HPBW/Horizontal)	120°
半功率垂直波束寬 (HPBW/Vertical)	60°(typical)
最大功率 (Max. Power Rating)	2 W (CW)
阻抗匹配 (Impedance)	50 Ohms (typical)



5/21

