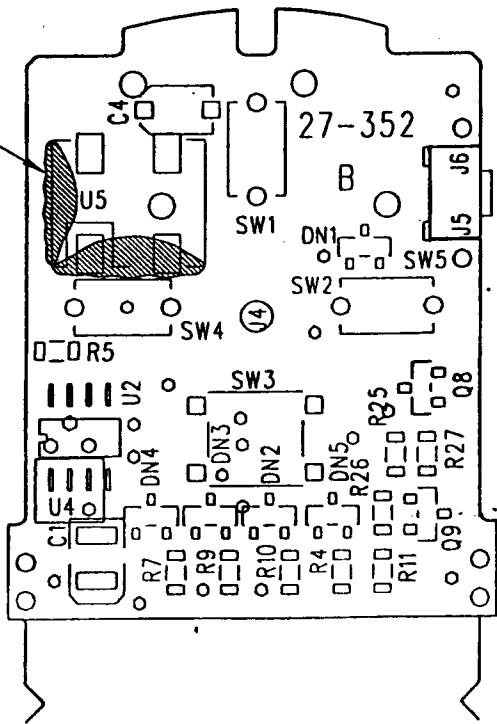


PROPRIETARY INFORMATION STATEMENT

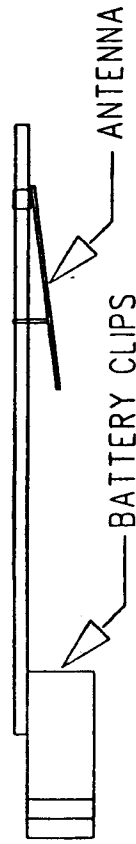
THIS DOCUMENT CONTAINS CONFIDENTIAL AND PROPRIETARY INFORMATION OF CLIFFORD ELECTRONICS, AND MAY NOT BE DISCLOSED TO OTHERS, REPRODUCED, OR USED WITHOUT WRITTEN CONSENT FROM CLIFFORD ELECTRONICS.

HYBRID CIRCUIT (U5) ASSEMBLY NOTE:

1. ATTACH U5 WITH EPOXY PRIOR TO ASSEMBLY OF OTHER COMPONENTS AND SOLDERING.
2. AFTER SOLDERING, ADD EPOXY ALONG TWO SIDES AS SHOWN TO FURTHER SECURE U5. OVERLAP EPOXY ON TOP EDGES OF U5 AS SHOWN.



TOP



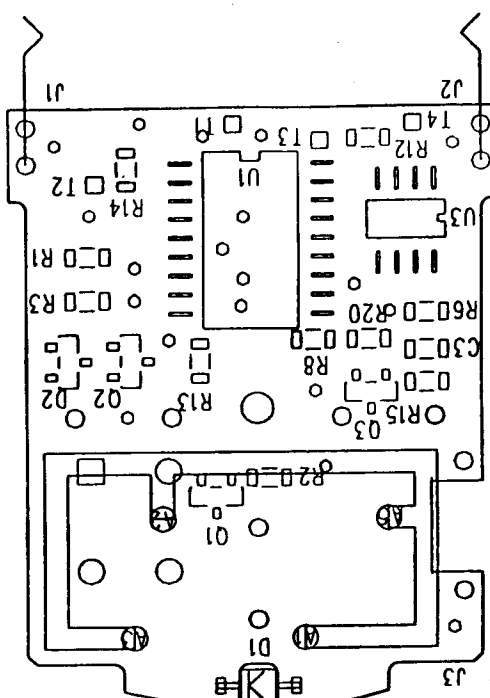
ANTENNA

4. WARNING: UNSCALED SWITCH. TO BE INSTALLED AFTER WASH.
3. SEE BILL OF MATERIAL FOR PART NUMBERS.

2. EPOXY USED: "DEVCON" 5 MINUTE EPOXY GEL (OR EQUIVALENT). IT IS RECOMMENDED TO USE AUTOMIX NOZZLE TO PROVIDE CLEAN & PRECISE APPLICATION OF EPOXY.

1. REF PCB: 27-352

REV	DESCRIPTION	DATE	APPROVED
B	ECN #101096B	10/18/96	S.S.
B1	ECN #040897D	6/3/97	S.S.
B2	ECN #091597B	9/15/97	F.R.
C	ECN #060697B	1/13/98	F.R.
D	ECN #031198D	4/15/98	



BOTTOM

REFERENCE
MAY 10 1999
ONLY

UNLESS OTHERWISE SPECIFIED: 1. ALL DIMENSIONS ARE IN INCHES. 2. TOLERANCES ARE: .XXX DECIMAL ± 0.005" .XX DECIMAL ± 0.01" .X DECIMAL ± 0.02" ANGLES ± 0.5° 3. PROVIDE 1/16" RAMP EDGES. 4. DO NOT SCALE DRAWING. MATERIAL:		APPLICATION: P950 ROLLS ROYCE	TITLE 2 CH RFM AGC TRANSMITTER
APPROVALS DRAWN R.P. CHECKED A. ZAREMBA APPROVED S. HANFINDER	DATE 10/17/96 10/21/96 6/13/97	FSCM NO. B	DWG. NO. AS45-352

CLIFFORD ELECTRONICS, INC.
20750 LASSEN STREET, CHATSWORTH, CALIFORNIA 91311

2 CH RFM AGC
TRANSMITTER

REV. D

COMPONENT QTY PER UM DESCRIPTION OPER SQ FCTR TYP LEV DATE BY DATE BY
 COMPONENT DESCRIPTION

LEV	ITEM NUMBER	QTY PER UM	DESCRIPTION	OPER	SQ	FCTR	TYP	LEV	DATE	BY	DATE	BY
1	22-048	2.0000	EA DIODE, DUAL, SMD Q1, 3, 8, 9 ROHM DAN235K ROHM DAN235K ROHM#DAN235KT146 1 PIN SIDE ON SIDE.147 2 PIN SIDE ON FEED HO 3K PER T/R PHILLIPS # PMBD2838 AND BAV70 CENTRAL SEMICONDUCTOR # CMPD28 DN2, 3	0	32	.0	A	10/09/96	4/20/99	STE	0/00/00	
1	22-049	1.0000	EA DIODE, LED, RED, SMD ROHM SLN-210LT ROHM#SLN-210LT BULK NCNR KINGBRIGHT # KM2520A01SRT001 D1	0	34	.0	A	10/09/96	4/20/99	STE	0/00/00	
1	73-487	1.0000	EA DIODE, 1N914, MMBT914X-SOT23.SMD MOT:MMBD914X SOT-23 PKG FAIRCHILD FDS0914 .SA(MMBD914T ROHM #DAN212KRT146 1 PIN SIDE SIDE.147 2 PIN SIDE ON FEED HO MOT # MMBD4148 TO-236AB(49) (SO TAITRON # MMBD914 NATIONAL SEMI. # MMBD4148 PHILIPS #DAS16 NATIONAL MMBD914 D2	0	36	.0	A	10/09/96	4/20/99	STE	0/00/00	
1	22-083	1.0000	EA CAP, 10UF, CASE B, TANT, 10%, 10V NEMCO # PCT 10/10BK AVX # TAJB106K016R 20 % TOLERANCE IS ACCEPTABLE MATSUO # 267E1602-106-KR PANASONIC # ECST1AX106R NEMCO # PCT10/16BK 16V C1	0	38	.0	A	10/09/96	4/20/99	STE	0/00/00	
1	22-119	1.0000	EA CAP, 330PF, NPO, 5%, 0805 VIRAMON #VJ0805A331JXBMT AVX # 08051A331JAT2A MMC # CE331J2NO-T1(J-5%) R.F.ELECTRONICS # MA0805CG331J JOHANSON # 500R15N331JVV4E AVX # 08051A331JATMA NIC # NMC0805NPO331J100TRPLP SAMSUNG #CL21C331J0CNC MURATA #GRM40C0G331J100 MURATA #GRM40C0G331J050 C3	0	43	.0	A	10/09/96	4/20/99	STE	0/00/00	

--CHANGED--
DATE BY

---ADDED---
DATE BY

-FUTURE-
EFF-DATE

Clifford Electronics, Inc.
 Patent Item: 46-352 Prod Cat: A Usr Def: Stk:N Ctl:N P/M:M Comm: 71 Eng Rls: Rev: G Route: R(Contin)
 PCBA, XMTR, 2BTN, 2CH, ACG Date: 4/20/99 Size: Route:

LEV	COMPONENT ITEM NUMBER	QTY PER UM	DESCRIPTION	OPBR	SQ	SCRAP B/M REV FCTR TYP LEV	EFF-DATE ST/END	---ADDED---	---CHANGED---
								DATE	DATE
1	22-005	7.0000	EA RES, 100K, 5%, SMD, 0805	0	48	.0 A	10/09/96	4/20/99	STE 0/00/00
			RECTRON CR10-104J CORONA						
			KAMAYA # RMC10-104JT						
			MERITEK # CR10104J						
			SEE: P/N 12-0805 AVL LIST						
			R3, 4, 7, 9, 10, 11, 27						
1	22-180	1.0000	EA RES, 62K, 5%, SMD, 0805	0	49	.0 A	10/09/96	4/20/99	STE 0/00/00
			RECTRON #CR10-623J						
			MERITEK # CR10-623J						
			SEE: P/N 12-0805 AVL LIST						
			R25						
1	22-015	5.0000	EA RES, 10K, 5%, SMD, 0805	0	50	.0 A	1/14/98	4/20/99	STE 0/00/00
			RECTRON CR10-103J CORONA						
			KAMAYA # RMC10-103JT						
			MERITEK # CR10103J						
			SEE: P/N 12-0805 AVL LIST						
			R1, 2, 8, 20, 26						
1	26-507	1.0000	OZ ADHESIVE, 5MIN. EPOXY, FAST-CURE	0	50	.0 A	1/14/98	4/20/99	STE 0/00/00
			DEVCON # 14250						
			060697B						
1	22-124	1.0000	EA RES, 820, 5%, SMD, 0805	0	55	.0 A	10/09/96	4/20/99	STE 0/00/00
			RECTRONIX CR10-821J						
			SEE: P/N 12-0805 AVL LIST						
			R13						
1	22-125	1.0000	EA RES, 24.3K, 1%, SMD, 0805	0	56	.0 A	10/09/96	4/20/99	STE 0/00/00
			STACKPOLE # RMC1/1024.3K1#TR						
			KAMAYA # RMC1/10						
			MERITEK # CR102432F						
			SEE: P/N 12-0805 AVL LIST						
			R6						
1	22-055	1.0000	EA RES, 1K, 5%, SMD, 0805	0	58	.0 A	10/09/96	4/20/99	STE 0/00/00
			MERITEK #CR10102J						
			RECTRONIX CR10-102J						
			SEE: P/N 12-0805 AVL LIST						
			R14						
1	22-056	2.0000	EA RES, 4.7K, 5%, SMD, 0805	0	60	.0 A	10/09/96	4/20/99	STE 0/00/00
			KAMAYA # RMC10-472JT						
			MERITEK # CR10472J						
			SEE: P/N 12-0805 AVL LIST						
			R12, 15						
1	21-107	1.0000	EA SWITCH, FEED-THROUGH, 180G, NOT	0	82	.0 A	6/01/98	4/20/99	STE 0/00/00

