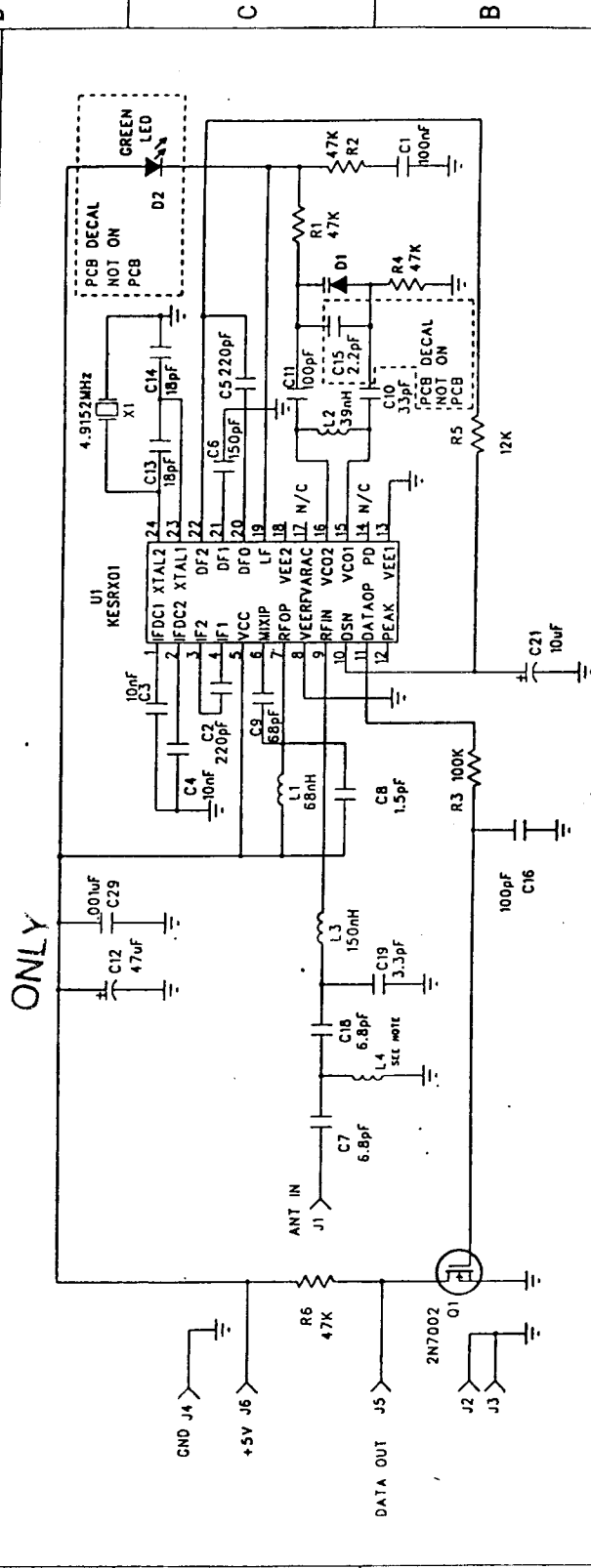


6	5	4	3	2	1
REFERENCE MAR 10 1999					
ONLY					
REVISION RECORD					
LTR		ECN NO.		APPROVE/DATE	
A		030899A		PP 4/4/91	



COMPANY: CLIFFORD ELECTRONICS	
TITLE: PLESSEY INTERNAL RECEIVER 315MHZ	
DRAWN: TOM STOFFER	DATED: 3/9/99
CHECKED:	DATED:
PRODUCT ENGR	
ENG.SERVICES	
CODE: 48417A 46417x1	DRAWING NO: SC46-417
	REV: A
SHEET: 1 OF 1	

NOTE:
L4 IS AIR WOUND 5.51 INCH 26AWG CLOSE WOUND ON .067" (#51 BLANK) ID