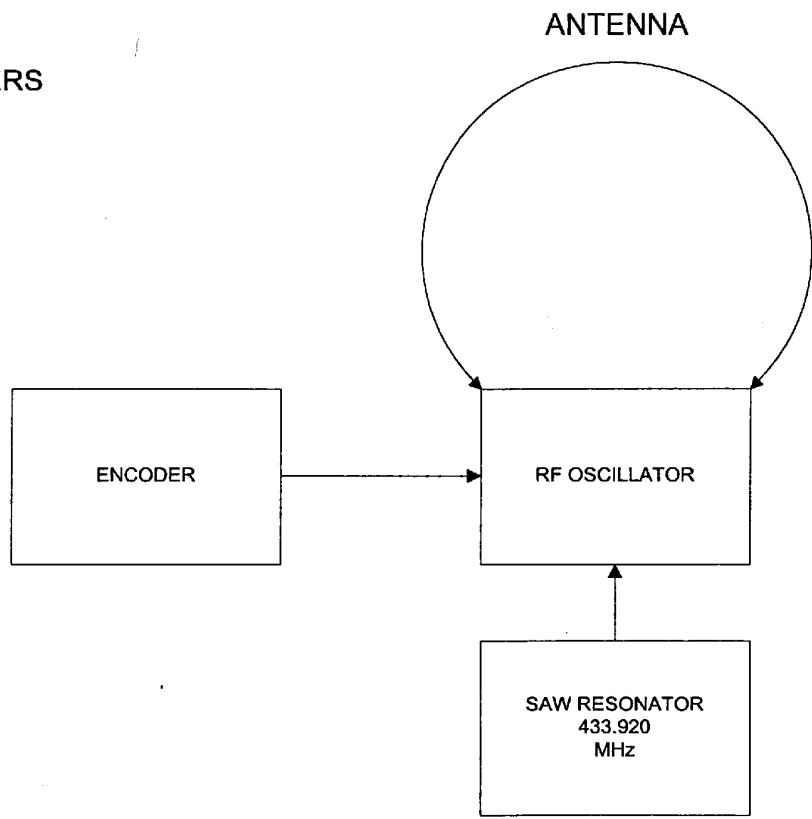


EXHIBIT 5
SCHEMATIC DIAGRAM

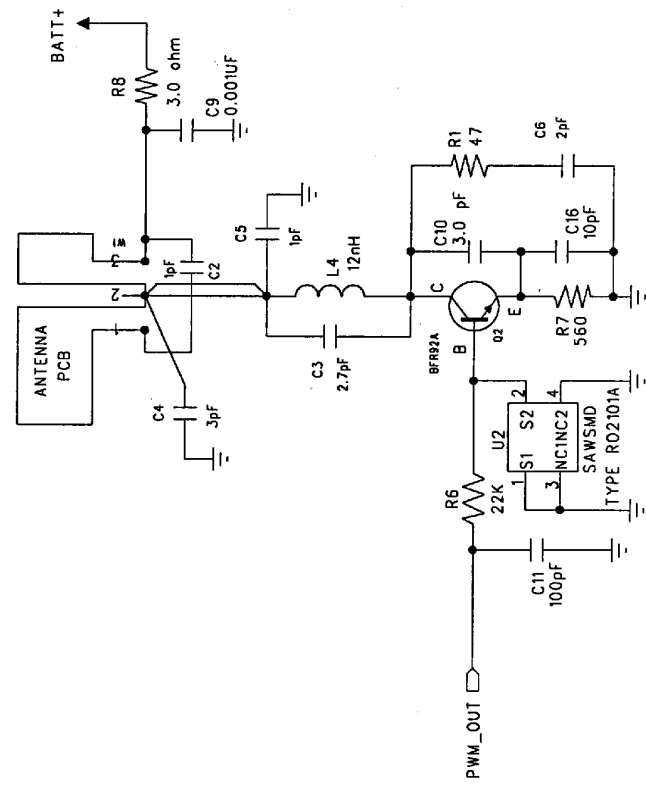
BLOCK DIAGRAM FOR
CLIFFORD
CELLO,
RADAR,
AND OEM
TRANSMITTERS



6 5 4 3 2 1

REVISION RECORD	
LTR	APPROVED DATE:
ECO NO:	

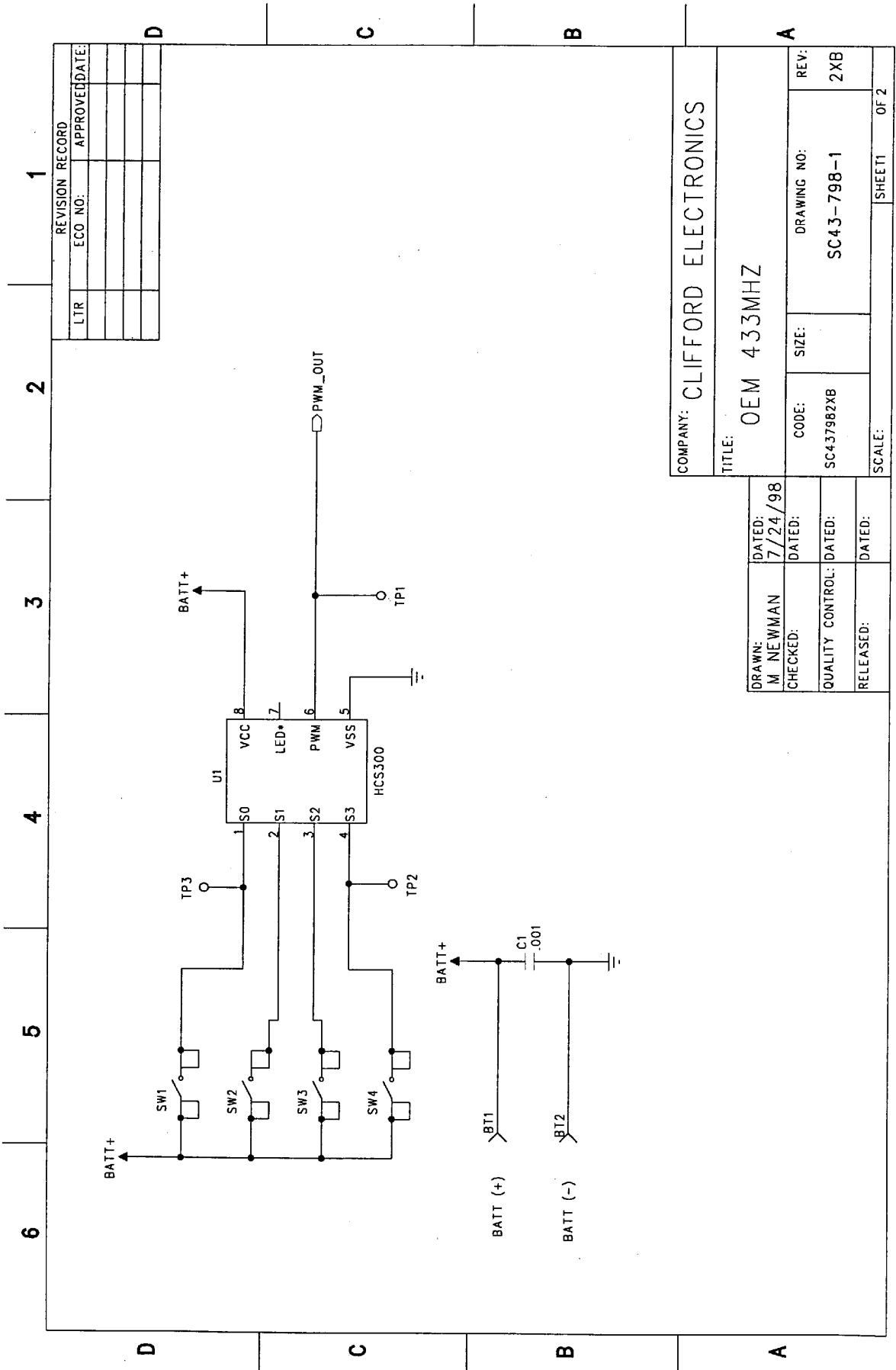
Taken From 50798 5XA
M. NEWMAN 1/14/98



COMPANY: CLIFFORD ELECTRONICS	
TITLE: OEM 433MHZ	
CODE: SC437982XB	DRAWING NO: SC43-798-1
SIZE:	REV: 2XB
SCALE: SHEET2 OF 2	

DRAWN: M NEWMAN	DATED: 7/24/98
CHECKED:	DATED:
QUALITY CONTROL:	DATED:
RELEASED:	DATED:

D C B A



REVISION RECORD	
LTR	APPROVED DATE
ECO NO:	

COMPANY: CLIFFORD ELECTRONICS		TITLE: OEM 433MHZ	
DRAWN: M NEWMAN	DATED: 7/24/98	CODE: SC437982XB	REV: 2XB
CHECKED:	DATED:	SIZE:	DRAWING NO: SC43-798-1
QUALITY CONTROL:	DATED:	SCALE: SHEET1	OF 2
RELEASED:	DATED:		