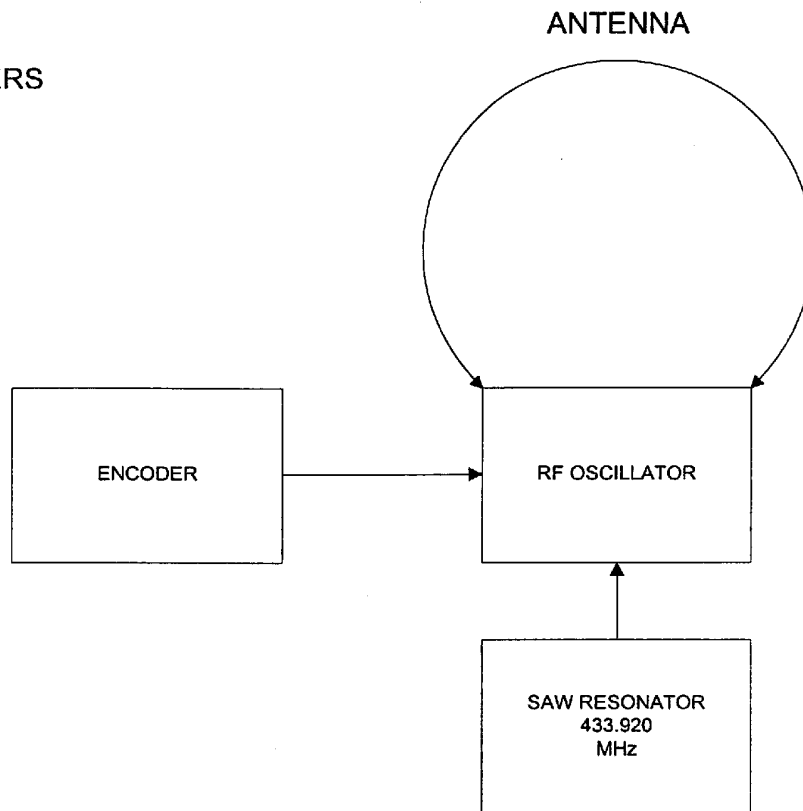


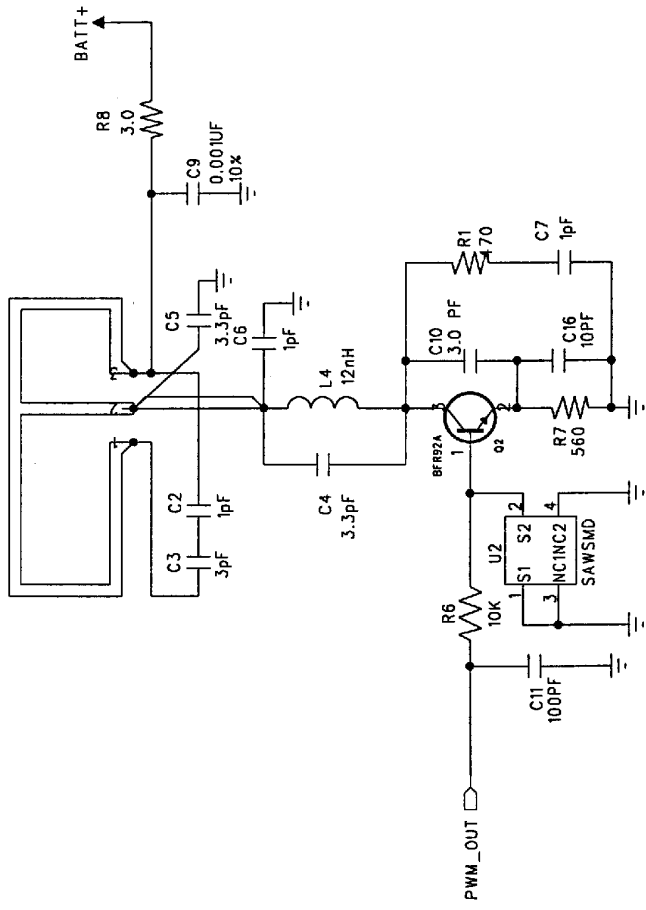
EXHIBIT 5
SCHEMATIC DIAGRAM

BLOCK DIAGRAM FOR
CLIFFORD
CELLO,
RADAR,
AND OEM
TRANSMITTERS



6 5 4 3 2 1

REVISION RECORD	
LTR	APPROVED DATE



ALL CAPS ARE 5% NPO UNLESS STATED OTHERWISE

COMPANY: CLIFFORD ELECTRONICS

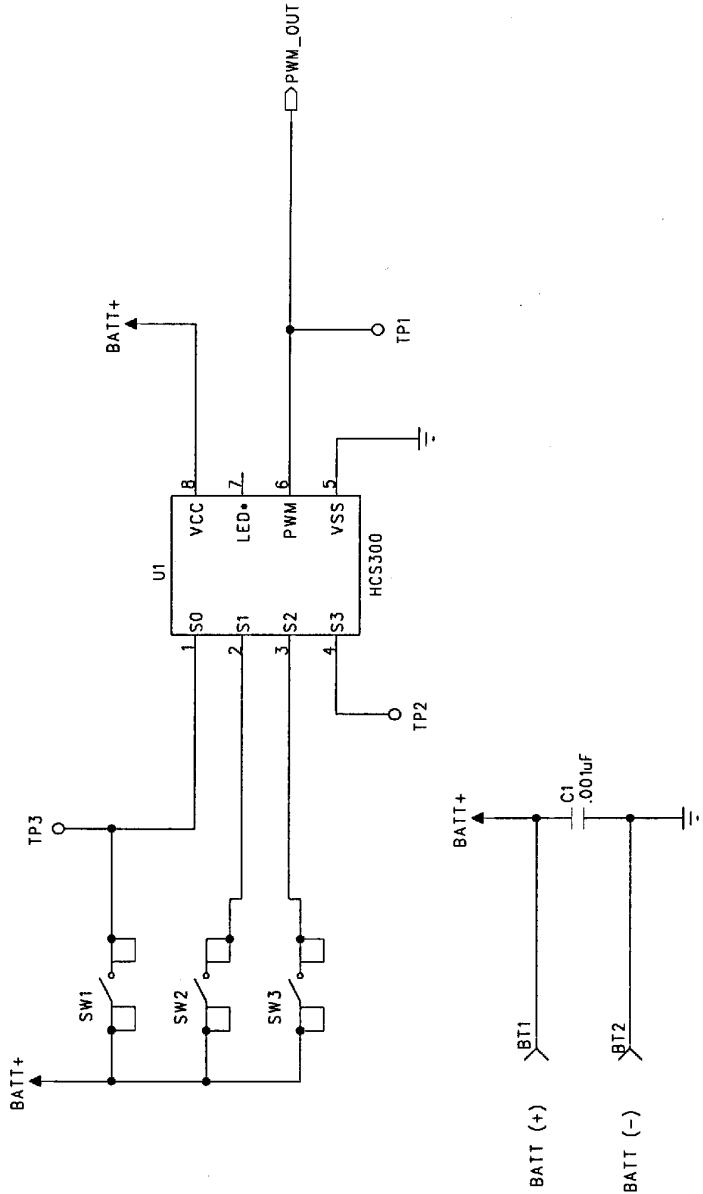
TITLE: CELLO SAW KEELOQ XMTR

DRAWN:	DATED:
M. NEWMAN	8/12/98
CHECKED:	DATED:
QUALITY CONTROL:	DATED:
RELEASED:	DATED:

CODE:	DRAWING NO:	REV:
43792A1X1	SC43-792-1	A1X1
SCALE:	SHEET: 2 OF 2	

1 2 3 4 5 6

REVISION RECORD	
LTR	APPROVED DATE



COMPANY: CLIFFORD ELECTRONICS	
TITLE: CELLO SAW KEELOQ XMTR	
CODE: 43792A1X1	DRAWING NO: SC43-792-1
SIZE: A1X1	REV: A1X1
SCALE:	SHEET: 1 OF 2

DRAWN: M. NEWMAN	DATED: 8/12/98
CHECKED:	DATED:
QUALITY CONTROL:	DATED:
RELEASED:	DATED:

D C B A