

6

5

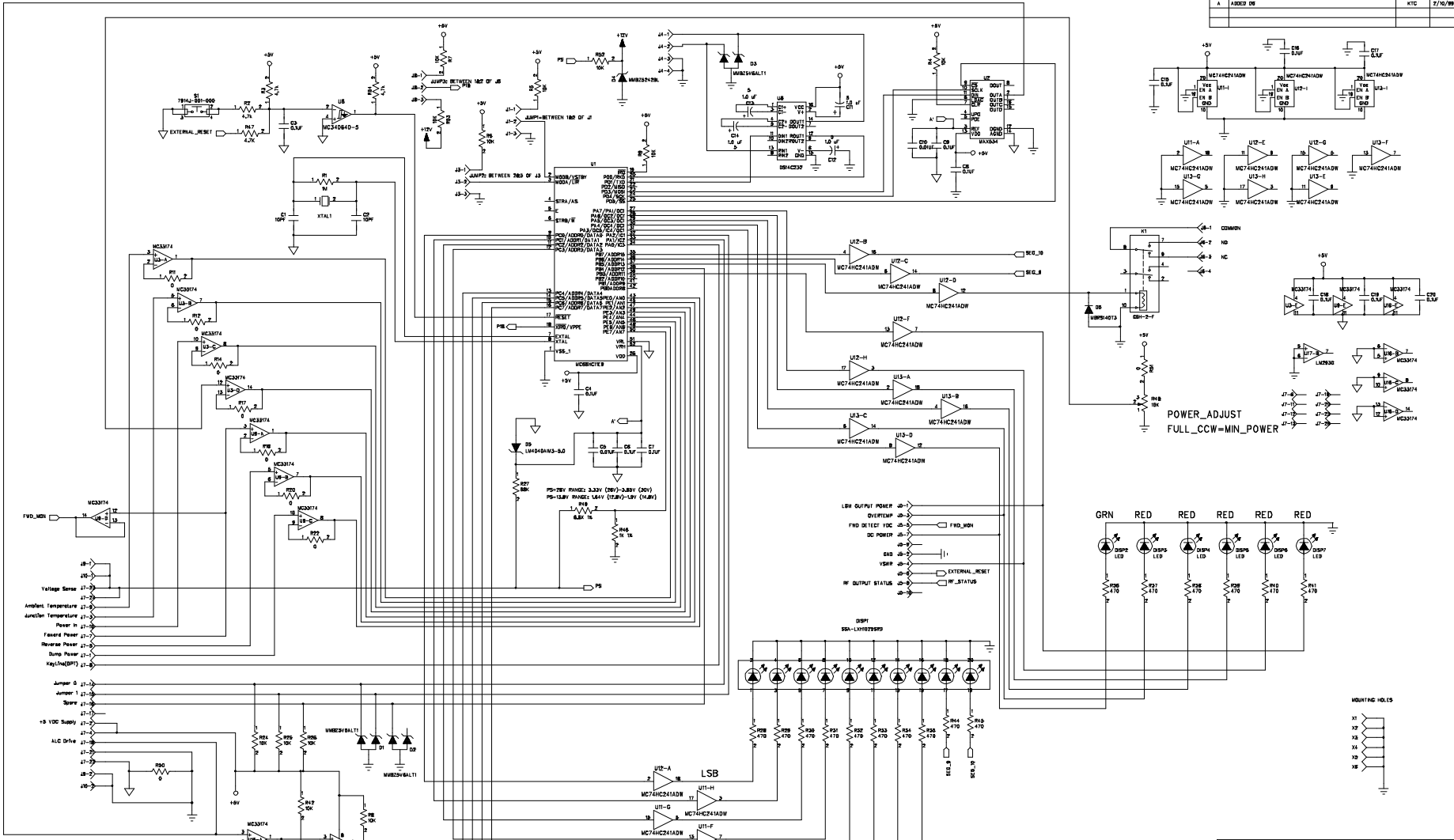
4

3

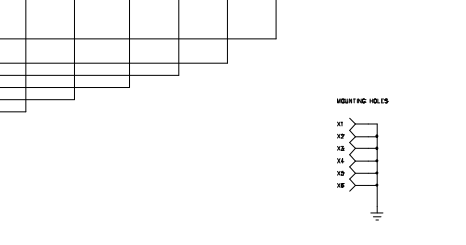
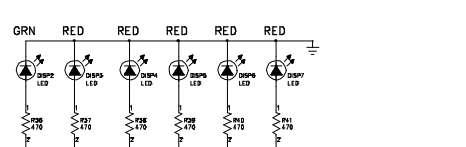
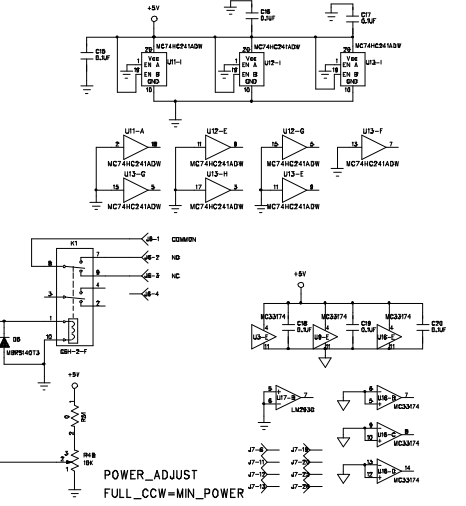
2

1

REV	DESCRIPTION	APPROVED	DATE
A	RELEASED TO PRODUCTION	KTC	1/25/98
A	ADDED DR	KTC	2/16/99



Jumper0	Jumper1	PA MODEL
GND	GND	UNUSED
GND	OPEN	PIO
OPEN	GND	2.50W VHF
OPEN	OPEN	90W 850MHZ



Proprietary Information		CRESCEND TECHNOLOGIES, LLC.	
The information contained in this drawing is the sole property of Crescend Technologies, and its reproduction or use in whole or in part without the written consent of Crescend Technologies is prohibited.		TITLE: SMR CONTROL PCB	
DRAWN: K.CAO	DATE: 3/6/98	SIZE: D	DRAWING NO: 300-00819-001
CHECKED: K.CAO	DATE: 3/6/98	SCALE:	SHEET: 1 OF 1
QUALITY CONTROL:	DATE:	REV: B	
RELEASED:	DATE:		