

6

5

4

3

2

1

REVISIONS				
ZONE	REV	DESCRIPTION	DATE	APPROVED
	1.0	INITIAL DRAFT	2-6-98	KAN
ALL	A	REL TO PRODUCTION	9-2-98	KAN

D

D

C

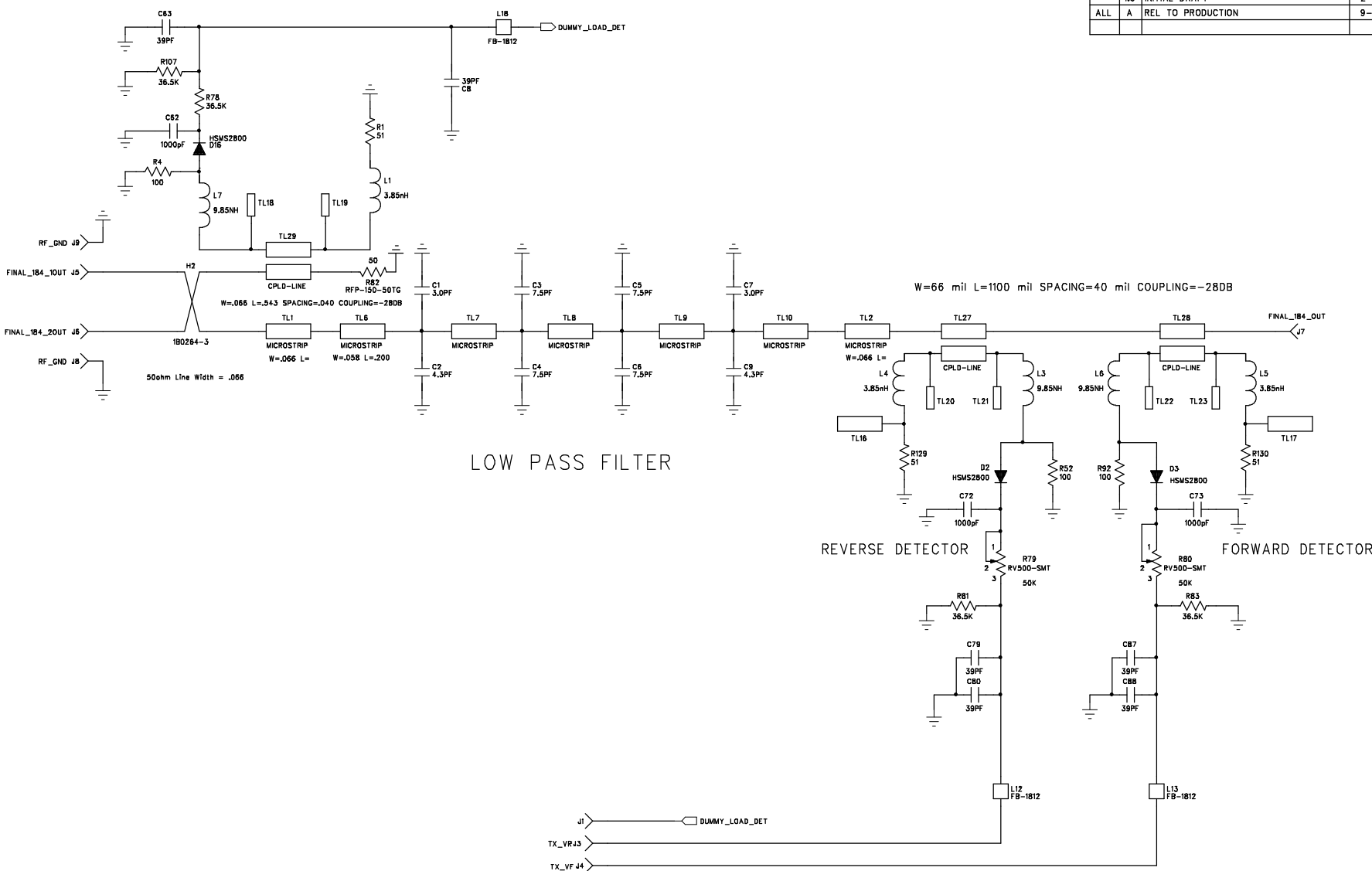
C

B

B

A

A



LOW PASS FILTER

REVERSE DETECTOR

FORWARD DETECTOR

NOTES:
 1) BOARD MATERIAL: RO4350 (e=3.48) Thickness=30mils

Proprietary Information The information contained in this drawing is the sole property of Crescend Technologies. Any reproduction in part or in whole without the written consent of Crescend Technologies is prohibited.		CRESCEND TECHNOLOGIES, LLC. 2255 LUIS DRIVE, SUITE 1 ROLLING MEADOWS, IL 60008	
DRAWN BY K.NELSON		DATE 2-6-98	
CHECKED BY		DATE	
APPROVED BY		DATE	
SIZE C		PADS FILE:	
DWG NO. 300-00826-001		REV A	
SCALE: NONE		SHEET: 1 OF: 1	

100W PA COMBINER/LPF BRD 450-470MHZ