

6

5

4

3

2

1

D

C

B

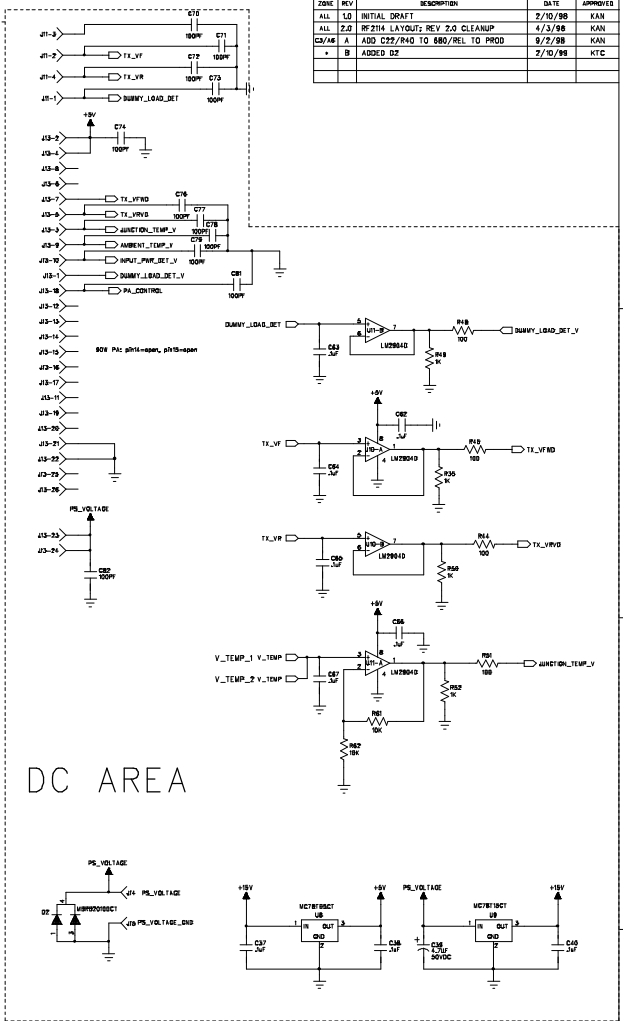
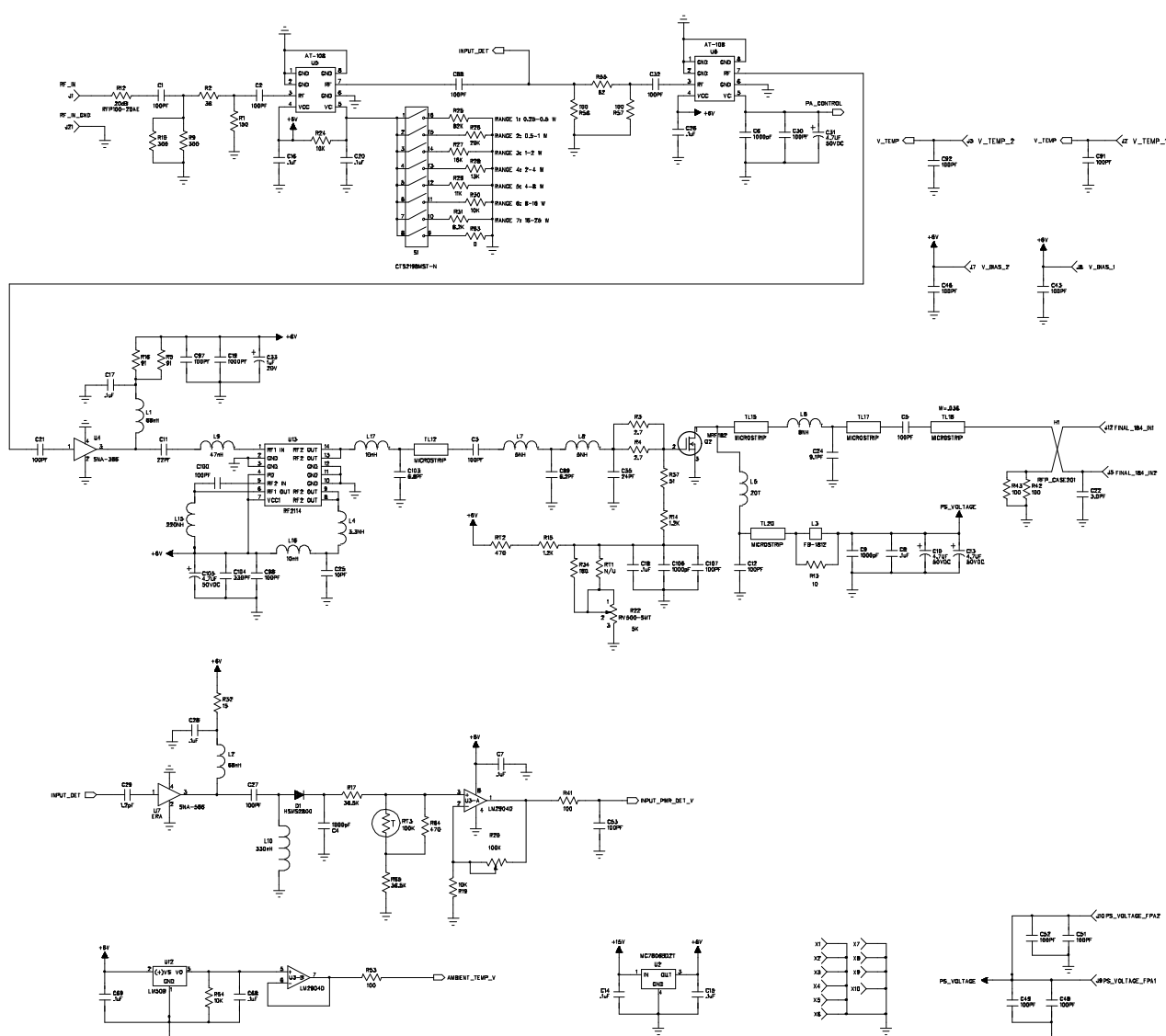
A

D

C

B

A



REVISIONS				
ZONE	REV	DESCRIPTION	DATE	APPROVED
ALL	L0	INITIAL DRAFT	2/10/98	KAN
ALL	L20	RF2114 LAYOUT; REV 2.0 CLEANUP	4/13/98	KAN
CA/AA	X	ADD C22/R40 TO 680/REL TO PROD	9/2/98	KAN
X	B	ADDED C22	2/10/98	KTC

BOARD MATERIAL: GETEK (e=4.2) Thickness=18mils

Proprietary Information The information contained in this drawing is the sole property of Crescendo Technologies. Any reproduction in part or in whole without the written consent of Crescendo Technologies is prohibited.		CRESCENDO TECHNOLOGIES, LLC. <small>2755 LOS ANGELES BLVD. SUITE 1100</small> <small>LOS ANGELES, CA 90048</small>		
DRIVER BOARD 460-490MHZ				
DRAWN BY	DATE	SCALE	SHEET NO.	REV
K.NELSON	2/10/98	NONE	300-00825-001	B
CHECKED BY	DATE	SCALE	SHEET NO.	REV
D				B
APPROVED BY	DATE	SCALE	SHEET NO.	REV
				B