

6

5

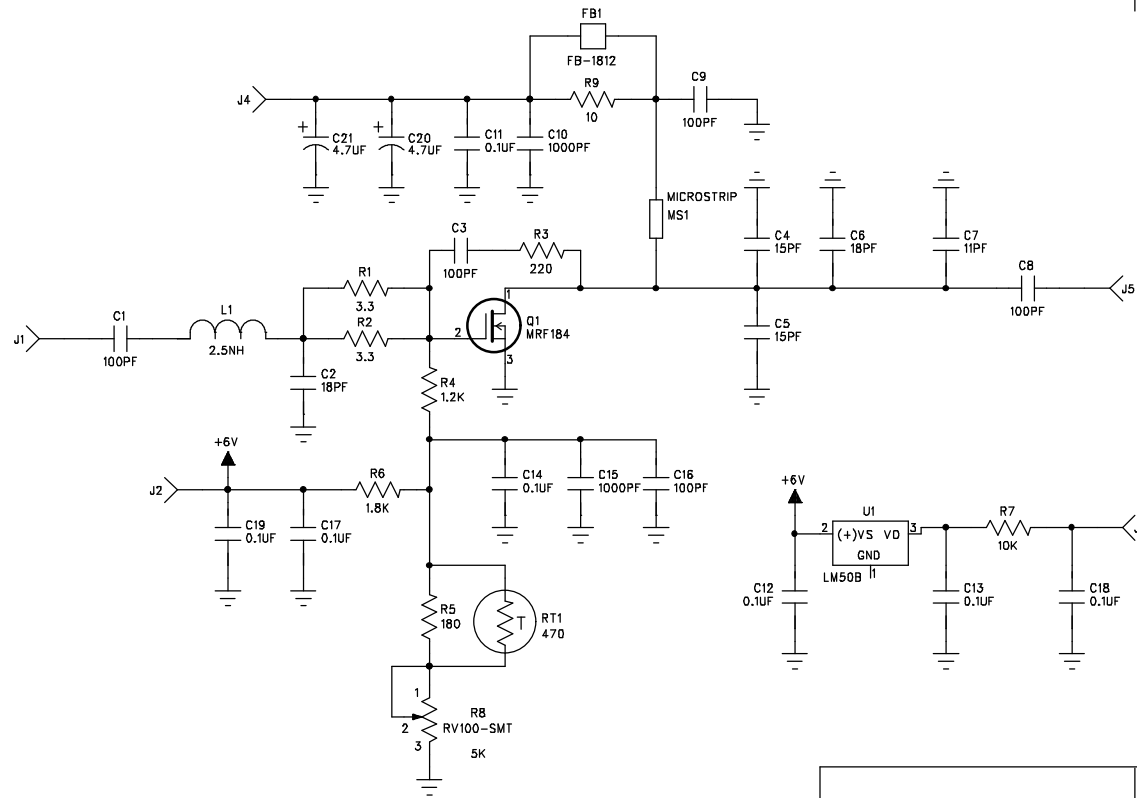
4

3

2

1

REVISIONS				
ZONE	REV	DESCRIPTION	DATE	APPROVED
ALL	2.0	INITIAL DRAFT	13-APR-98	KAN
ALL	A	REL TO PRODUCTION	2-SEP-98	KAN



D

D

C

C

B

B

A

A

Proprietary Information The information contained in this drawing is the sole property of Crescend Technologies. Any reproduction in part or in whole without the written consent of Crescend Technologies is prohibited.		CRESCEND TECHNOLOGIES, LLC. 2255 LOIS DRIVE, SUITE 1 ROLLING MEADOWS, IL 60008		
DRAWN BY KNELSON		DATE 13-APR-98		
CHECKED BY *		DATE *		SIZE B
APPROVED BY *		DATE *		DWG NO. 300-00997-001
SCALE: NONE			SHEET: 1 OF 1	

UHF Final Pallet

300-00997-001