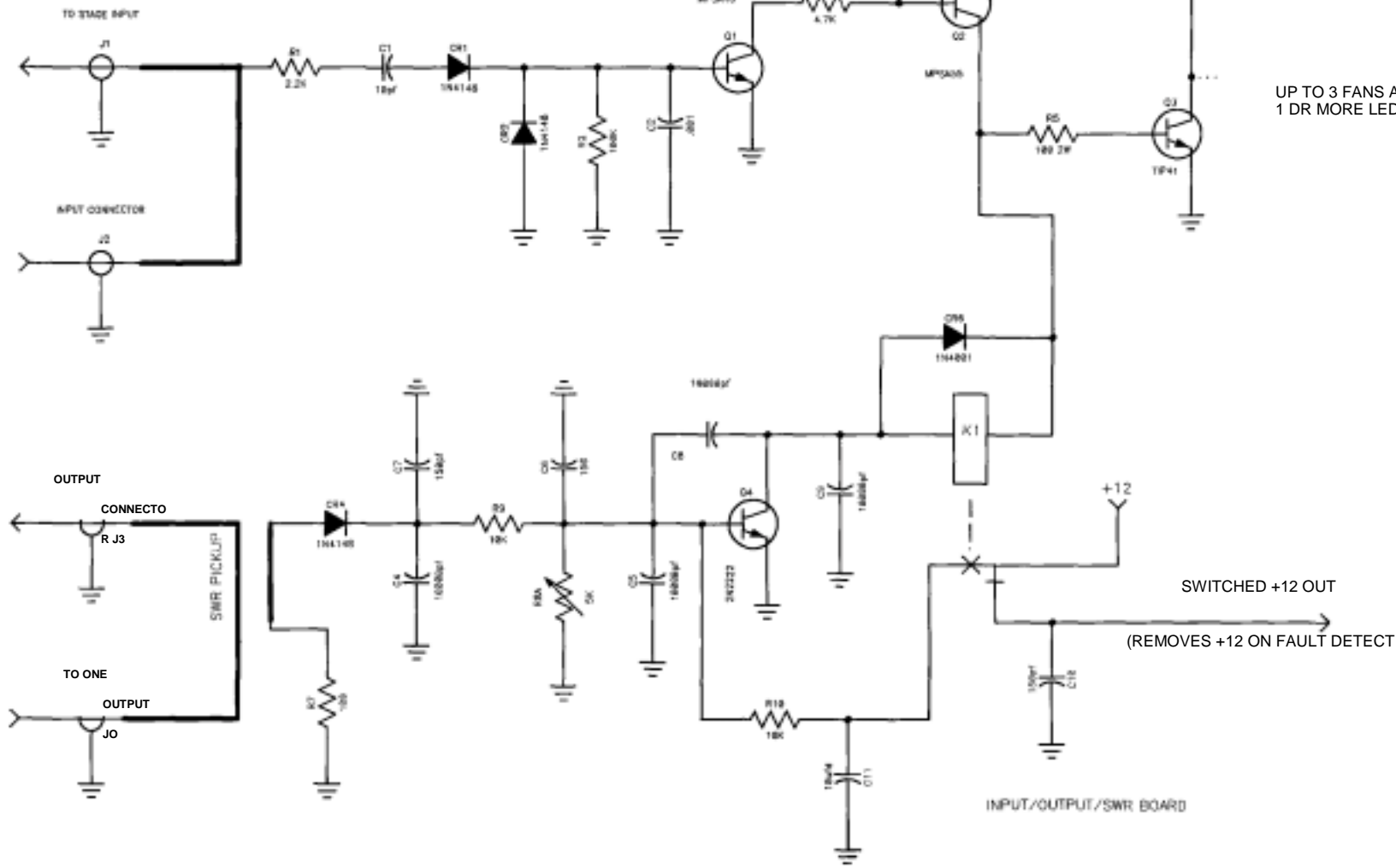


Q1 DETECTS INPUT RF AND DRIVES Q2 AND Q3 TO OPERATE FANS  
 Q4 DETECTS REVERSE POWER AT OUTPUT AND OPERATES K1 IF RF IS  
 PRESENT AT INPUT (Q2 ON)  
 K1 LATCHES THROUGH ITS OWN CONTACT AND R10. K1 RELEASES  
 WHEN INPUT DRIVE POWER IS REMOVED (Q2 OFF)  
 R8 ADJUSTS SWR THRESHOLD.  
 R1 IS FACTORY SELECTED AND MAY VARY WITH DRIVE POWER SET-  
 UP



UP TO 3 FANS AND  
 1 DR MORE LEDS

SWITCHED +12 OUT  
 (REMOVES +12 ON FAULT DETECT)

