

NOTES: UNLESS OTHERWISE SPECIFIED
 -RoHS COMPLIANCE:
 THIS PRODUCT MUST MEET THE REQUIREMENTS OF DIRECTIVE 2002/95/EC OF THE EUROPEAN PARLIAMENT AND OF THE COUNCIL OF JANUARY 27, 2003 ON THE RESTRICTION OF THE USE OF CERTAIN HAZARDOUS SUBSTANCES IN ELECTRICAL AND ELECTRONIC EQUIPMENT AND ITS AMENDMENTS (RoHS). USE OF MERCURY, CADMIUM, LEAD, CHROMIUM VI, PBB AND PBDE IN ANY MATERIALS USED TO CONSTRUCT THIS COMPUTER DISPLAY ASSEMBLY SHALL BE LIMITED TO EXCEED THE MAXIMUM CONCENTRATION VALUES SPECIFIED EXCEPT IN EXEMPTED APPLICATIONS.
 1. ALL DIMENSIONS IN INCHES AND DIMENSIONS IN () ARE IN MILLIMETERS.
 2. TORQUE SCREWS AS DEFINED IN THE TORQUE TABLE. THE TORQUE VALUES APPLY TO CLEAN AND DRY PARTS.
 3. APPLY 3M 4914 VHB ACRYLIC FOAM TAPE 10 MIL THICK X 1/2" WIDE X 1.75" WIDE ADHESIVE TO PART AS SHOWN. METAL SURFACE TO BE CLEAN PER ADHESIVE MANUFACTURER'S SPECIFICATIONS.
 4. KAPTON TAPE (ITEM 44) IS APPLIED TO THE BACK OF THE DISPLAY GLASS.
 5. SOLDER ITEM 40 TO DISPLAY PCB FOR GROUNDING.
 6. MARK LABEL WITH: MODEL # SAA5968-06 OR SAA5968-05 CONTAINS IC: 5078B-SAA596805

ITEM NO	QTY	UOM	PART NUMBER	DESCRIPTION	NOTES
34	1	EA	91-0540-01	LABEL, CLASS B, FCC/CE	
33	1	IN	55-2368-53 66-5968-23	SCREW, #4-20 X .500, PPH, PLASTITE, BLK	
32	1	EA	66-5968-07	DIFFUSER, CAMERA LED	
31	1	EA	SAA5968-11	SUB ASSY, MXT-PAN SOM W/ IGB MEMORY	
30	1	EA	66-5968-18	FOAM SPEAKER, WALL 10"	
29	1	EA	ECA-5968-03	ENGINEERING CABLE ASSEMBLY, USB, CAMERA	
28	4	EA	80-0287	SCREW, MACHINE, PAN HEAD, PHILLIPS, M1.6 X 4MM LONG, SILVER	
27	2	EA	80-0322	WASHER, #6, FLAT, BLACK	
26	2	EA	80-0114-06	SCREW, #4-20 X .500, PPH, PLASTITE, BLK	
25	1	EA	25-0700-SA	OPTO USB CAMERA MODULE HD, H264	
24	1	EA	60-5968-36	MOUNT, SPEAKER 10" WALL	
23	1	EA	60-5968-14	BOOT, MICROPHONE 20.37/19.4" WALL MODERO X SERIES	
22	9	EA	80-0308-01	WASHER, #2 FLAT .25 MAX OD X .02 THICK	
21	1	EA	SAA5968-15	SUB ASSY, MXT-700 G5, INTERFACE BOARD	
20	1	EA	23-0702-SA	SPEAKER, 4 OHM, 2.0W, 330MM P/IGTAIL	
19	1	EA	64-0711-SA	CABLE, 15 PIN FCC, .5MM PITCH, 241MM, SAME SIDE	
18	1	EA	SAA5968-05	SENSOR PCB TABLE & WALL MODERO SERIES	
17	1	EA	66-5968-14	SHIELD, ELECTRONICS 10" WALL	
16	2	EA	80-0107-08	SCREW, #2 X 3/16 LG, PHIL PAN THREAD FORMING	
15	4	EA	80-0286	SCREW, #2 X 3/4" LONG PLASTITE	
14	6	EA	80-0107-06	SCREW, #2 X .25, PPH PLASTITE, SS	
13	1	EA	23-0701-SA	MICROPHONE W/CABLE	
12	1	EA	66-5968-10	SHIELD, LIGHT, PROXIMITY SENSOR	
11	1	EA	60-5968-34	FRAME, DISPLAY, 10" WALL	
10	1	EA	ECA5968-06	ETHERNET CABLE RJ45 WALL 10 & 7	
9	1	EA	EMA5968-12	ENGINEERING MECHANICAL ASSEMBLY, BACKBOX, 10" WALL MODERO X SERIES	
8	1	EA	ECA5968-04	ENGINEERING CABLE ASSEMBLY, STRAP, GROUND, W/TERMINAL RING	
7	1	EA	SAA5968-83	SUB ASSY.44 PIN FCC DISPLAY CABLE MXD-1000	
5	1	EA	60-5968-31	COVER, ELECTRONICS 77/10" WALL, MODERO X SERIES	
4	1	EA	64-0710-SA,WALL	CABLE, 10 PIN FCC, 0.5MM PITCH 165MM SAME SIDE	
3	1	EA	45-5968-01	STRAIN RELIEF CABLE, CAT5	
2	1	EA	62-5968-45	ADAPTER PLATE 10" MODERO X DISPLAY TABLE/WALL	
1	1	EA	69-5968-14B	DISPLAY, OVERLAY BONDING, DISPLAY, OVERLAY BONDING, 10.1" NEW, THINNER DISPLAY	

PROPERTY OF AMX LLC. THIS DRAWING IS THE PROPERTY OF AMX LLC. THIS DRAWING IS NOT TO BE REPRODUCED OR COPIED IN ANY MANNER WITHOUT WRITTEN PERMISSION.

UNLESS OTHERWISE SPECIFIED
 TOLERANCE ON DECIMAL DIMENSIONS: .01 ±.002
 .03 ±.002
 .05 ±.002
 .07 ±.002
 .09 ±.002
 .12 ±.002
 .15 ±.002
 .18 ±.002
 .21 ±.002
 .25 ±.002
 .30 ±.002
 .35 ±.002
 .40 ±.002
 .45 ±.002
 .50 ±.002
 .55 ±.002
 .60 ±.002
 .65 ±.002
 .70 ±.002
 .75 ±.002
 .80 ±.002
 .85 ±.002
 .90 ±.002
 .95 ±.002
 1.00 ±.002
 1.10 ±.002
 1.20 ±.002
 1.30 ±.002
 1.40 ±.002
 1.50 ±.002
 1.60 ±.002
 1.70 ±.002
 1.80 ±.002
 1.90 ±.002
 2.00 ±.002
 2.20 ±.002
 2.50 ±.002
 3.00 ±.002
 3.50 ±.002
 4.00 ±.002
 4.50 ±.002
 5.00 ±.002
 5.50 ±.002
 6.00 ±.002
 6.50 ±.002
 7.00 ±.002
 7.50 ±.002
 8.00 ±.002
 8.50 ±.002
 9.00 ±.002
 9.50 ±.002
 10.00 ±.002

MECHANICAL COMPONENTS (FOR DESIGN REFERENCE ONLY)

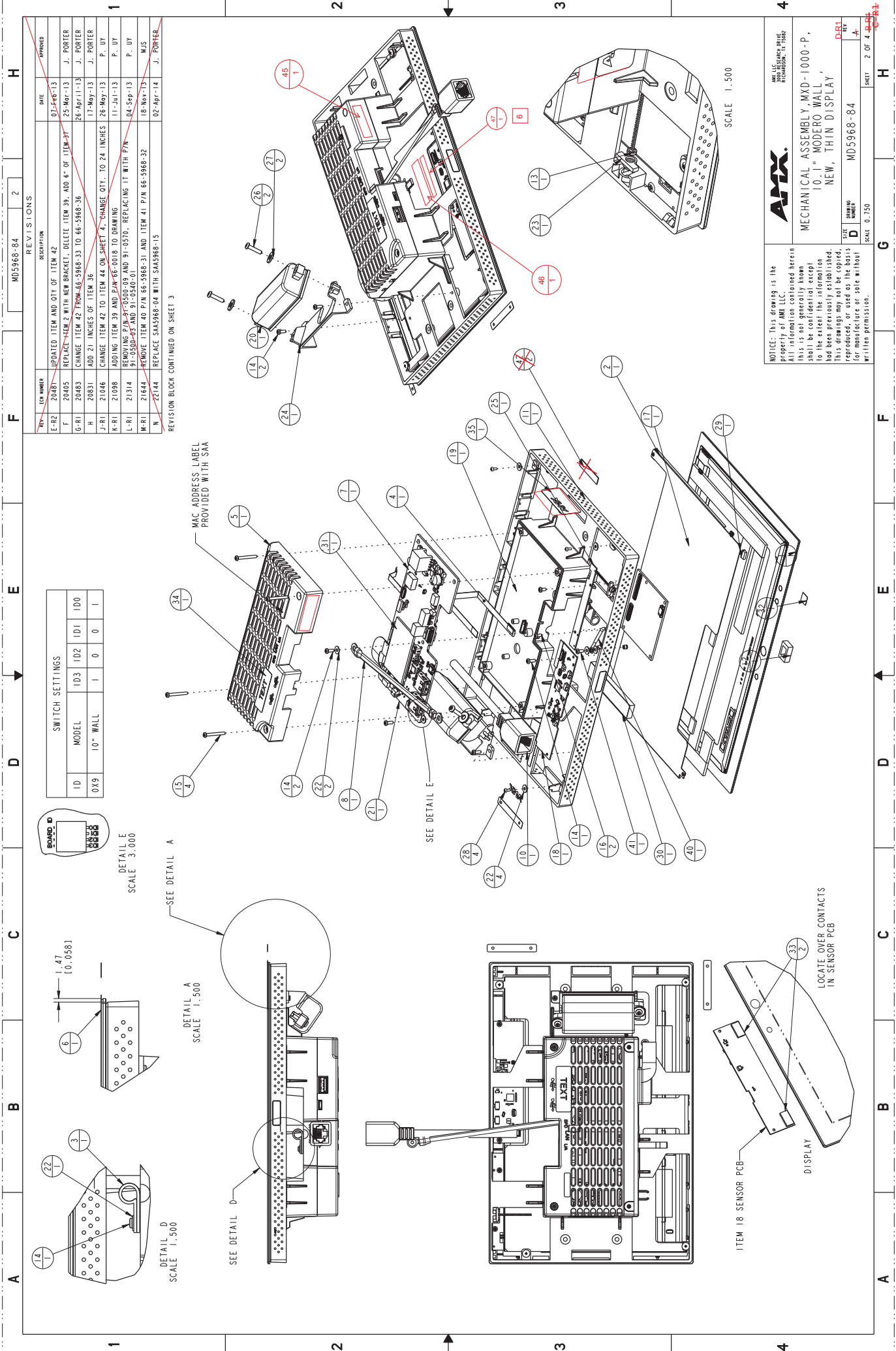
UNLESS OTHERWISE SPECIFIED
 TOLERANCE ON DECIMAL DIMENSIONS: .01 ±.002
 .03 ±.002
 .05 ±.002
 .07 ±.002
 .09 ±.002
 .12 ±.002
 .15 ±.002
 .18 ±.002
 .21 ±.002
 .25 ±.002
 .30 ±.002
 .35 ±.002
 .40 ±.002
 .45 ±.002
 .50 ±.002
 .55 ±.002
 .60 ±.002
 .65 ±.002
 .70 ±.002
 .75 ±.002
 .80 ±.002
 .85 ±.002
 .90 ±.002
 .95 ±.002
 1.00 ±.002
 1.10 ±.002
 1.20 ±.002
 1.30 ±.002
 1.40 ±.002
 1.50 ±.002
 1.60 ±.002
 1.70 ±.002
 1.80 ±.002
 1.90 ±.002
 2.00 ±.002
 2.20 ±.002
 2.50 ±.002
 3.00 ±.002
 3.50 ±.002
 4.00 ±.002
 4.50 ±.002
 5.00 ±.002
 5.50 ±.002
 6.00 ±.002
 6.50 ±.002
 7.00 ±.002
 7.50 ±.002
 8.00 ±.002
 8.50 ±.002
 9.00 ±.002
 9.50 ±.002
 10.00 ±.002

REF. PROJE ASSEM FILE = MA5968-84
 REF. PROJE ASSEM REV. = A

AMX
 MECHANICAL ASSEMBLY, MXD-1000-P,
 10.1" MODERO WALL,
 NEW, THIN DISPLAY

DATE: 07/25/15
 DRAWN BY: J. PORTER
 CHECKED BY: J. PORTER
 SCALE: 0.750

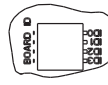
SHEET 1 OF 4



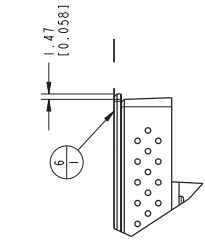
REV. NO.	REV. NUMBER	REVISION	DATE	APPROVED
E-02	20487	UPDATED ITEM AND QTY OF ITEM 42	07-Feb-13	J. PORTER
F	20405	REPLACE ITEM 2 WITH NEW BRACKET. DELETE ITEM 39. ADD 6" OF ITEM 37	25-Mar-13	J. PORTER
G-R1	20483	CHANGE ITEM 42 FROM 66-5968-33 TO 66-5968-36	26-Apr-13	J. PORTER
H	20831	ADD 21 INCHES OF ITEM 36	17-May-13	J. PORTER
J-R1	21046	CHANGE ITEM 42 TO ITEM 44 ON SHEET 4. CHANGE QTY. TO 24 INCHES	26-May-13	P. UY
K-R1	21098	ADDING ITEM 39 AND P/N 66-0018 TO DRAWING	11-Jun-13	P. UY
L-R1	21314	REPLACE ITEM 40 P/N 66-5968-31 AND 91-0540-01	04-Sep-13	MJS
M-R1	21644	REMOVE ITEM 40 P/N 66-5968-31 AND ITEM 41 P/N 66-5968-32	16-Nov-13	J. PORTER
N	22144	REPLACE SAAS968-04 WITH SAAS968-15	02-Apr-14	J. PORTER

REVISION BLOCK CONTINUED ON SHEET 3

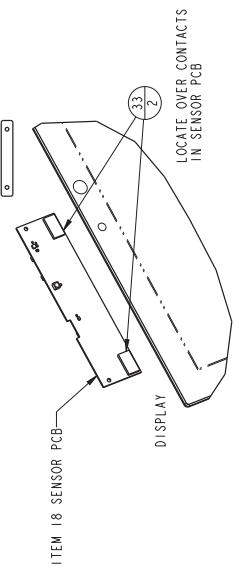
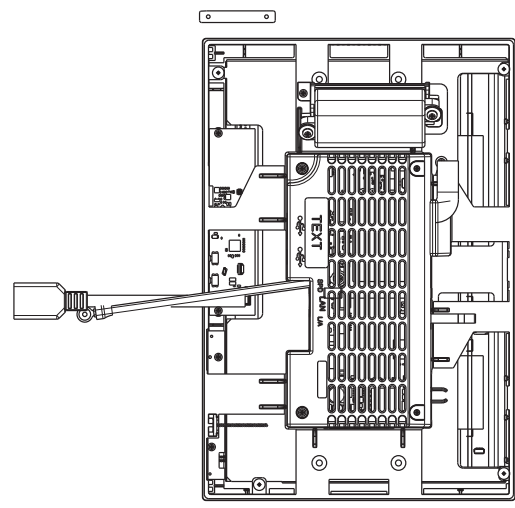
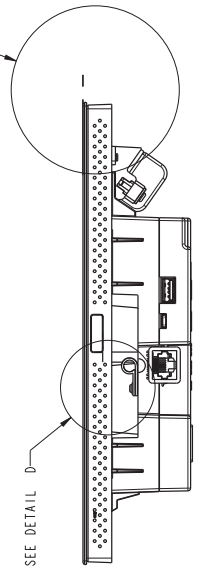
SWITCH SETTINGS				
MODEL	ID3	ID2	ID1	ID0
0X9	10" WALL	1	0	0



DETAIL E
SCALE 3:000



DETAIL A
SCALE 1:500



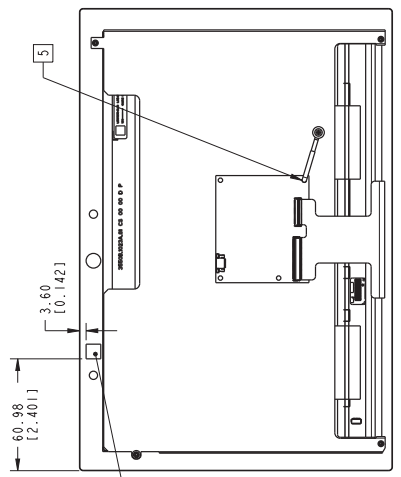
MECHANICAL ASSEMBLY, MXD-1000-P,
10.1" MODERO WALL,
NEW, THIN DISPLAY

SCALE 0:750
DRAWING NO. MD5968-84
SHEET 2 OF 4

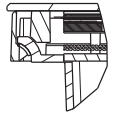
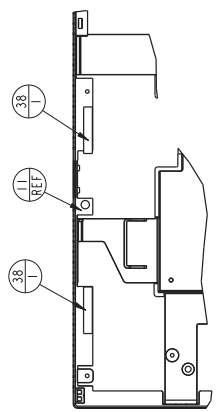
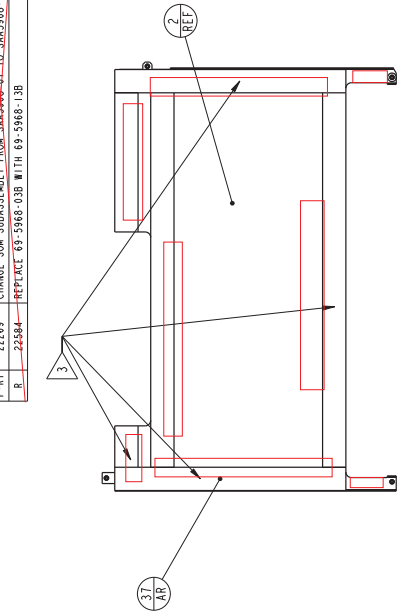
NOTICE: This drawing is the property of AMX. All information contained herein shall be confidential except to the extent the information has been previously established. This drawing may not be copied, reproduced, or used as the basis for manufacture or sale without written permission.

A B C D E F G H

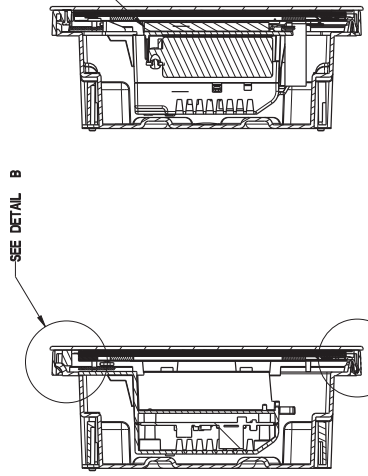
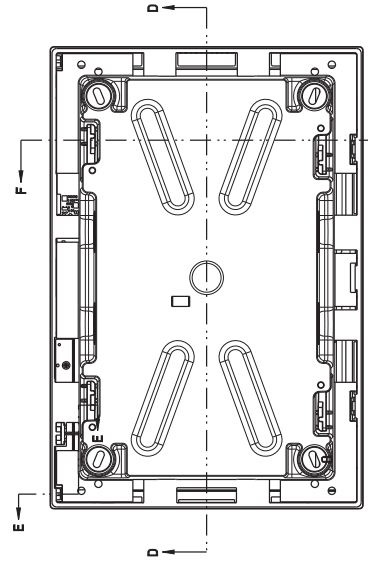
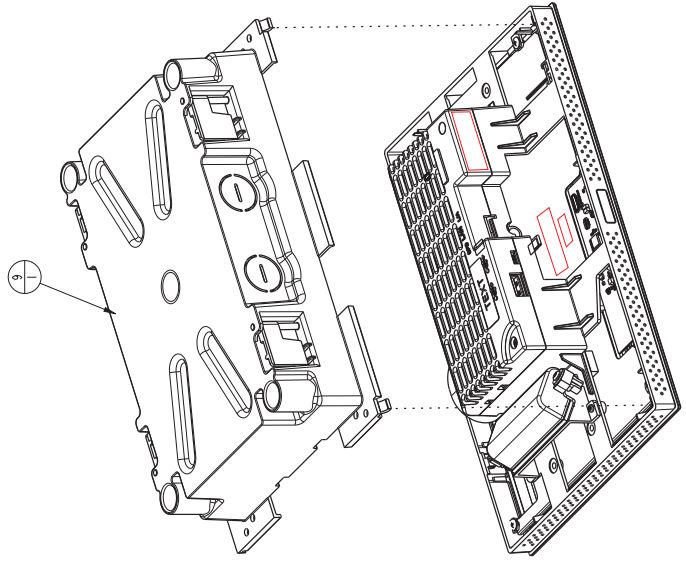
REVOLUTIONS		NO.	DATE	BY	APPROVED
P-R	22269	CHANGE SOW SUBASSEMBLY FROM 5848498-01 TO 5843968-11	23-07-14	MJS	
B	22584	REPLACE 69-5968-03B WITH 69-5968-13B	18-10-14	J. BOBBER	



DISPLAY SHOWN WITH SENSOR PCB



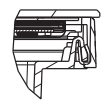
DETAIL B
SCALE 1:500



SEE DETAIL B

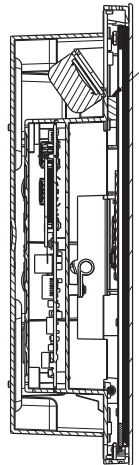
SECTION E-E
FROM THIS SHEET

SECTION F-F
FROM THIS SHEET



DETAIL C
FROM THIS SHEET
SCALE 1:500

FOAM ITEM 29 BONDED TO FRAME



SECTION D-D
FROM THIS SHEET



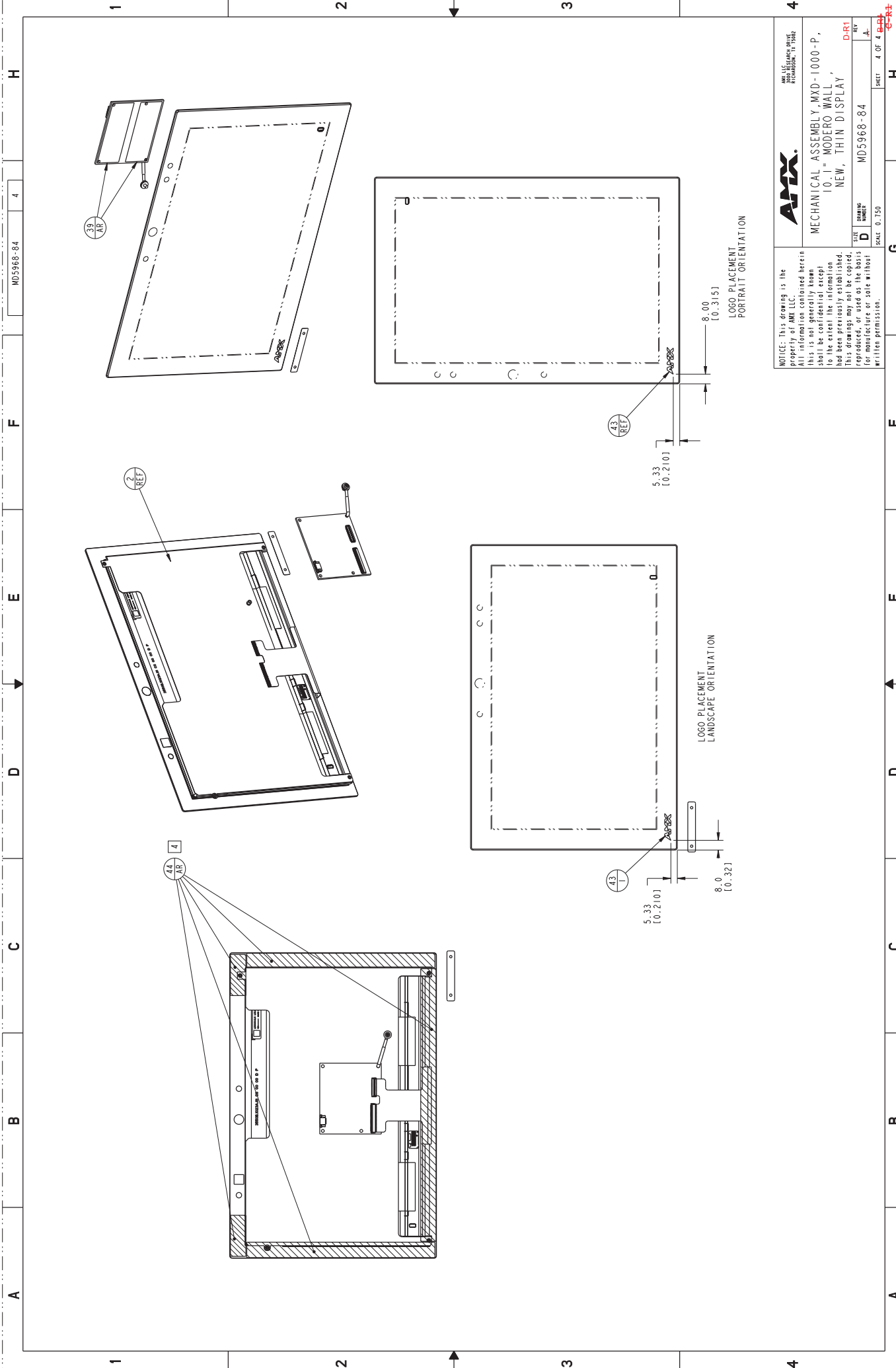
AMPX
MECHANICAL ASSEMBLY, MXD-1000-P,
10.1" MODERO WALL,
NEW, THIN DISPLAY

NOTICE: This drawing is the
property of AMPX.
All information contained herein
is not confidential except
to the extent the information
had been previously established.
This drawings may not be copied,
reproduced, or used as the basis
for manufacture or sale without
written permission.

SIZE D
SCALE 0.750
PART
MD5968-84

SHEET 3 OF 4

1 2 3 4



MD5968-84

APX

MECHANICAL ASSEMBLY, MXD-1000-P,
10.1" MODERO WALL,
NEW, THIN DISPLAY

DR1

SCALE 0.750

SHEET 4 OF 4

APX

MECHANICAL ASSEMBLY, MXD-1000-P,
10.1" MODERO WALL,
NEW, THIN DISPLAY

DR1

SCALE 0.750

SHEET 4 OF 4

APX

MECHANICAL ASSEMBLY, MXD-1000-P,
10.1" MODERO WALL,
NEW, THIN DISPLAY

DR1

SCALE 0.750

SHEET 4 OF 4

APX

MECHANICAL ASSEMBLY, MXD-1000-P,
10.1" MODERO WALL,
NEW, THIN DISPLAY

DR1

SCALE 0.750

SHEET 4 OF 4

APX

MECHANICAL ASSEMBLY, MXD-1000-P,
10.1" MODERO WALL,
NEW, THIN DISPLAY

DR1

SCALE 0.750

SHEET 4 OF 4

APX

MECHANICAL ASSEMBLY, MXD-1000-P,
10.1" MODERO WALL,
NEW, THIN DISPLAY

DR1

SCALE 0.750

SHEET 4 OF 4

APX

MECHANICAL ASSEMBLY, MXD-1000-P,
10.1" MODERO WALL,
NEW, THIN DISPLAY

DR1

SCALE 0.750

SHEET 4 OF 4

APX

MECHANICAL ASSEMBLY, MXD-1000-P,
10.1" MODERO WALL,
NEW, THIN DISPLAY

DR1

SCALE 0.750

SHEET 4 OF 4

APX

MECHANICAL ASSEMBLY, MXD-1000-P,
10.1" MODERO WALL,
NEW, THIN DISPLAY

DR1

SCALE 0.750

SHEET 4 OF 4