

Schematic of the EM250 RCM

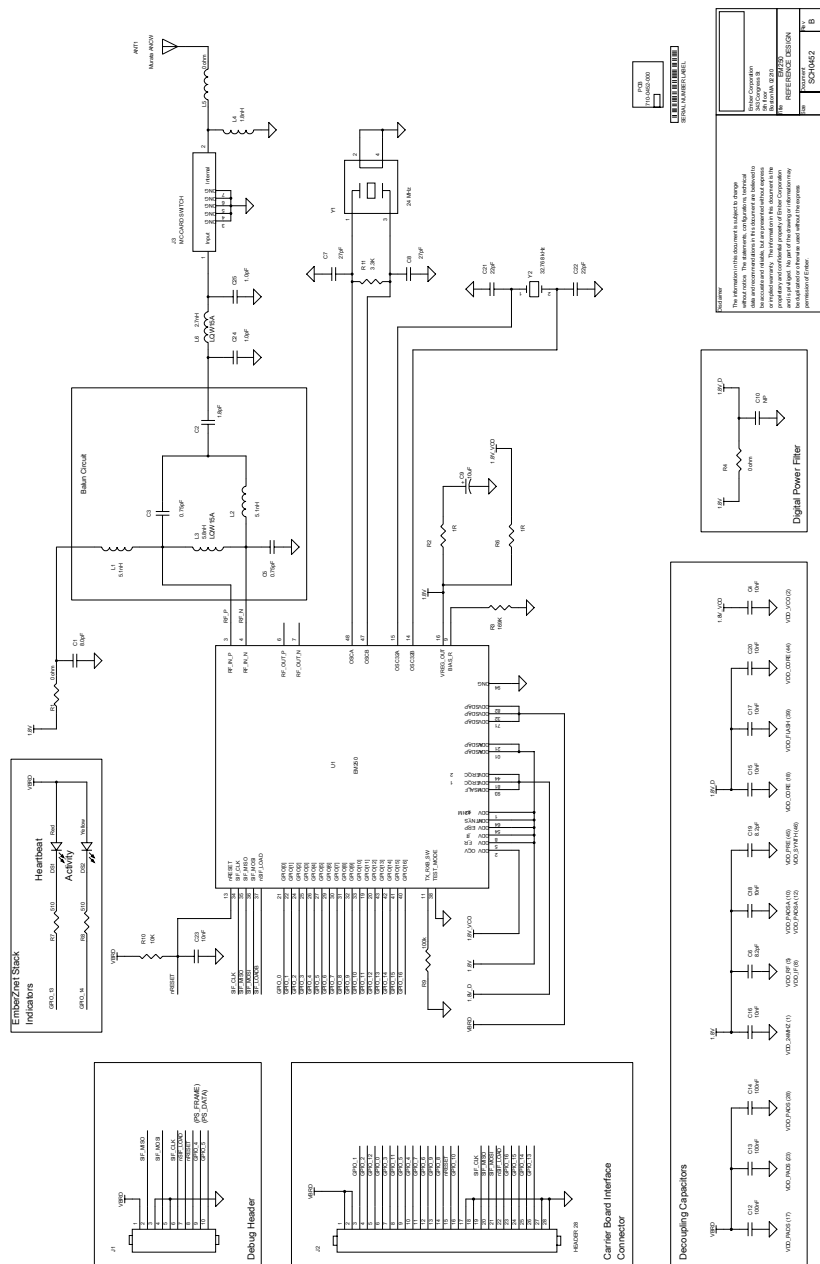


Figure 5. Schematic of the EM250 RCM

After Reading this Document

If you have questions or require assistance with the procedures described in this document, please contact an Ember support representative at support@ember.com.