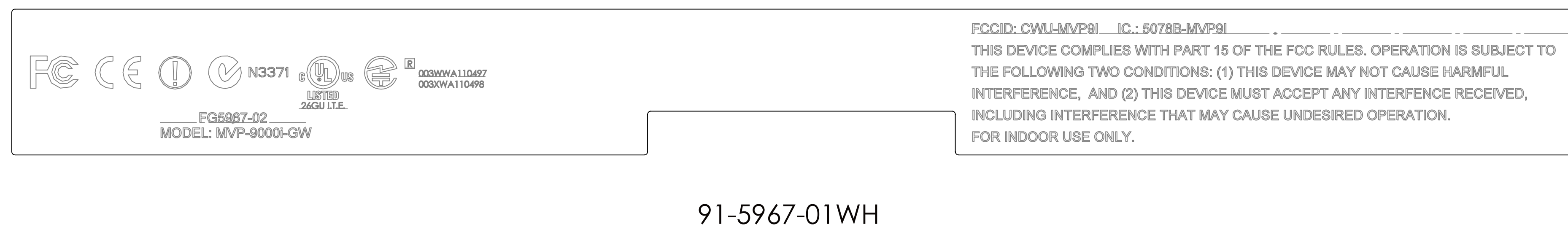
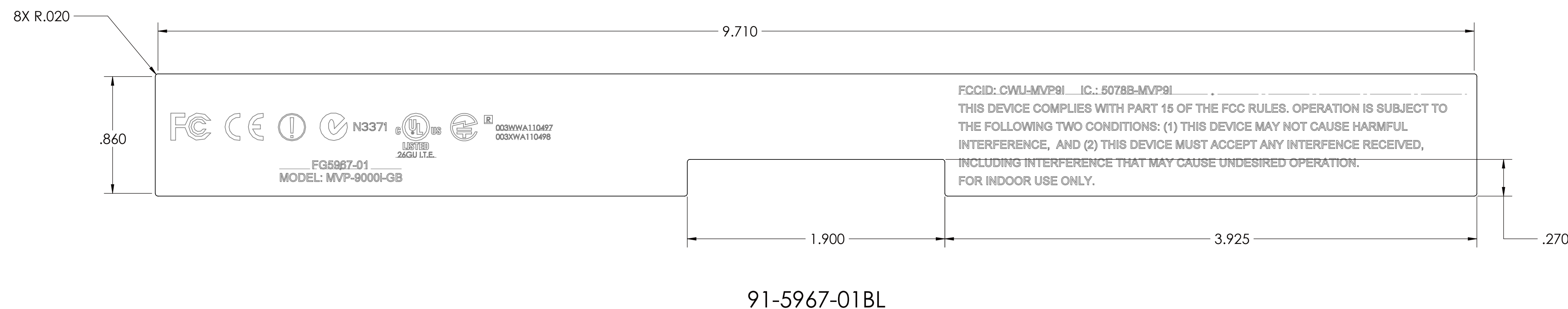


NOTES: UNLESS OTHERWISE SPECIFIED

- 3D DATABASE FEATURES TAKE PRECEDENCE OVER 2D DRAWINGS. REFER TO 3D DATABASE FILE (SEE MODEL NAME AND REVISION IN TITLE BLOCK).
- ALL DIMENSIONS IN INCHES.
- MATERIAL AND COLORS:
PERMANENT POLYESTER
TEXT TO BE ARIAL 6pt. COLOR TO BE PANTONE COLOR GRAY 5C
SEE TABLE FOR BACKGROUND COLOR

REVISIONS				
REV	ECN	DESCRIPTION	DATE	APPROVED
A	16018	PROTOTYPE RELEASE	2/23/2010	J. REAGAN
B	16969	ADD FCC AND IC INFORMATION. ADDED CERTIFICATION LOGOS.	9/14/2010	J. PORTER
C	16969	ADDED ADDITIONAL TEXT TO LABEL	9/20/2010	J. PORTER
D	17228	ADDED COLUMN TO PART TABLE AND NOTE TO INDICATE WHICH FG IS REFERENCED	11/15/2010	J. PORTER
E	17853	ADDED MIC LOGO	3/25/2011	J. PORTER
F	17871	ADDED "MVP-9000I" TEXT	3/30/2011	J. PORTER
G	XXXXX	ADDED UL LOGO. ADDED "MODEL:" TO THE LABEL TEXT.	5/9/2011	J. PORTER
H	XXXXX	ADDED "26GU," "I.T.E.," AND "-GX" TO LABEL TEXT.	5/31/2011	J. PORTER
J	XXXXX	SHOWING PART SPECIFIC ARTWORK FOR FG AND MODEL NAME	7/11/2011	J. PORTER

PART TABLE		
PART NUMBER	DESCRIPTION	COLOR
91-5967-01	LABEL, SERIAL NUMBER	N/A
91-5967-01BL	LABEL, SERIAL NUMBER, BLACK	PMS BLACK
91-5967-01WH	LABEL, SERIAL NUMBER, WHITE	WHITE



UNLESS OTHERWISE STATED, THE ARTICLE SPECIFIED SHALL BE RoHS COMPLIANT PER EU DIRECTIVE 2002/95/EC

NOTICE: This drawing is the property of AMX LLC. All information contained herein that is not generally known shall be confidential except to the extent the information has been previously established. This drawing may not be copied, reproduced, or used as the basis for manufacture or sale without written permission.

UNLESS OTHERWISE SPECIFIED

TOLERANCE ON DECIMAL DIMENSIONS: .X = ± 0.1
.XX = ± 0.03
.XXX = ± 0.020
ANGLES = ± 1°

SURFACE FLATNESS .003 TIR PER LINEAR INCH
ALL DIMENSIONS ARE IN INCHES

DO NOT SCALE DRAWING

THIRD ANGLE PROJECTION

AMX AMX LLC
3000 RESEARCH DRIVE
RICHARDSON, TX 75082

LABEL, SERIAL NUMBER

SIZE D	DWG. NO. 91-5967-01	REV. J
SCALE 2:1	SHEET 1 of 1	

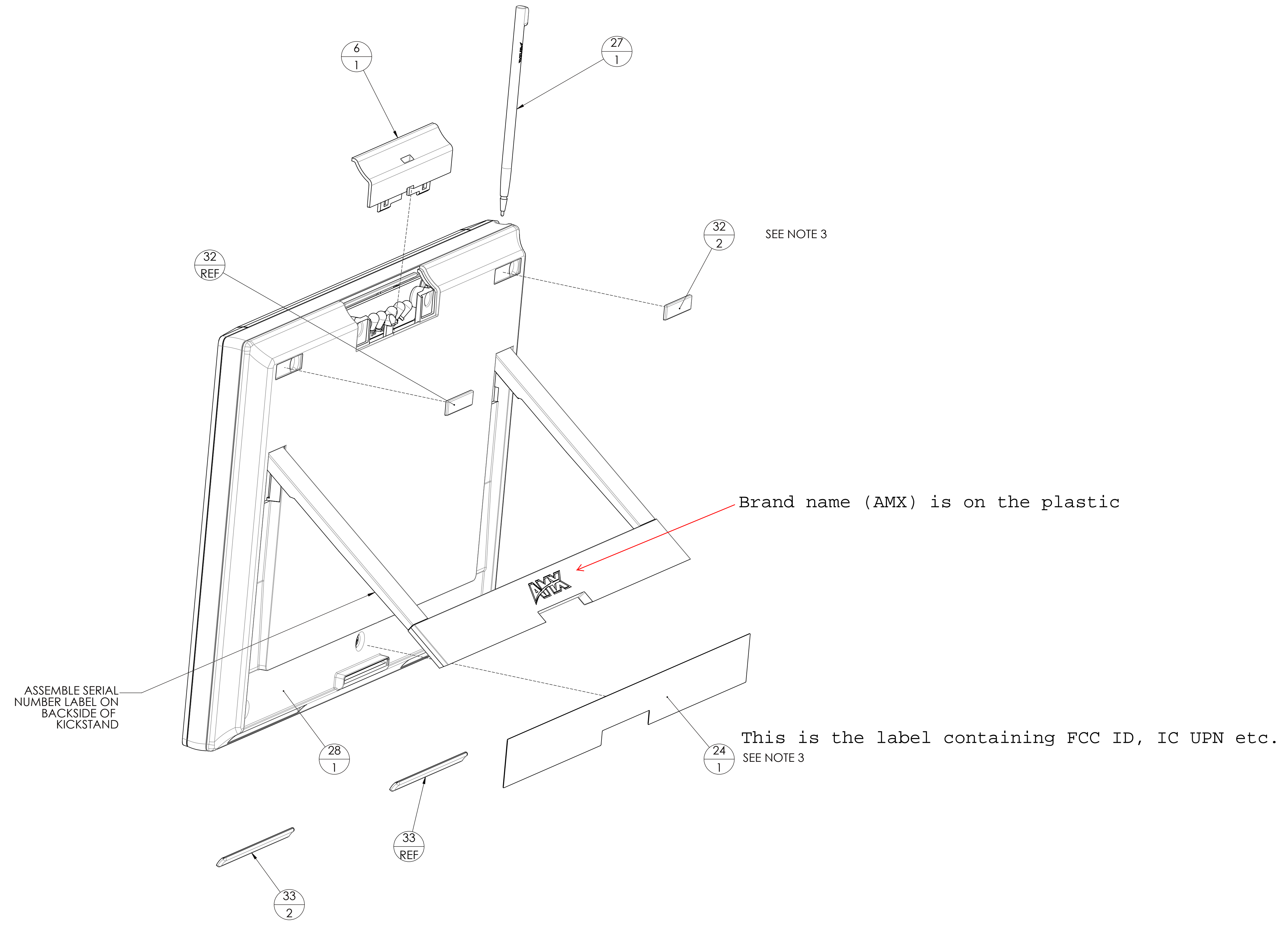
A B C D E F G H

1

2


3

4



FINAL ASSEMBLY
 TO BE COMPLETED AFTER
 FINAL TESTING AND/OR BURN-IN

NOTICE: This drawing is the property of AMX LLC. All information contained herein that is not generally known shall be confidential except to the extent the information has been previously established. This drawing may not be copied, reproduced, or used as the basis for manufacture or sale without written permission.

		AMX LLC 3000 RESEARCH DRIVE RICHARDSON, TX 75082	
		ENGINEERING ASSEMBLY, 9.0 TOUCH PANEL	
SIZE D	DWG. NO. EA5967-01	REV. A	SHEET 5 of 5
SCALE 1:1			

A B C D E F G H