

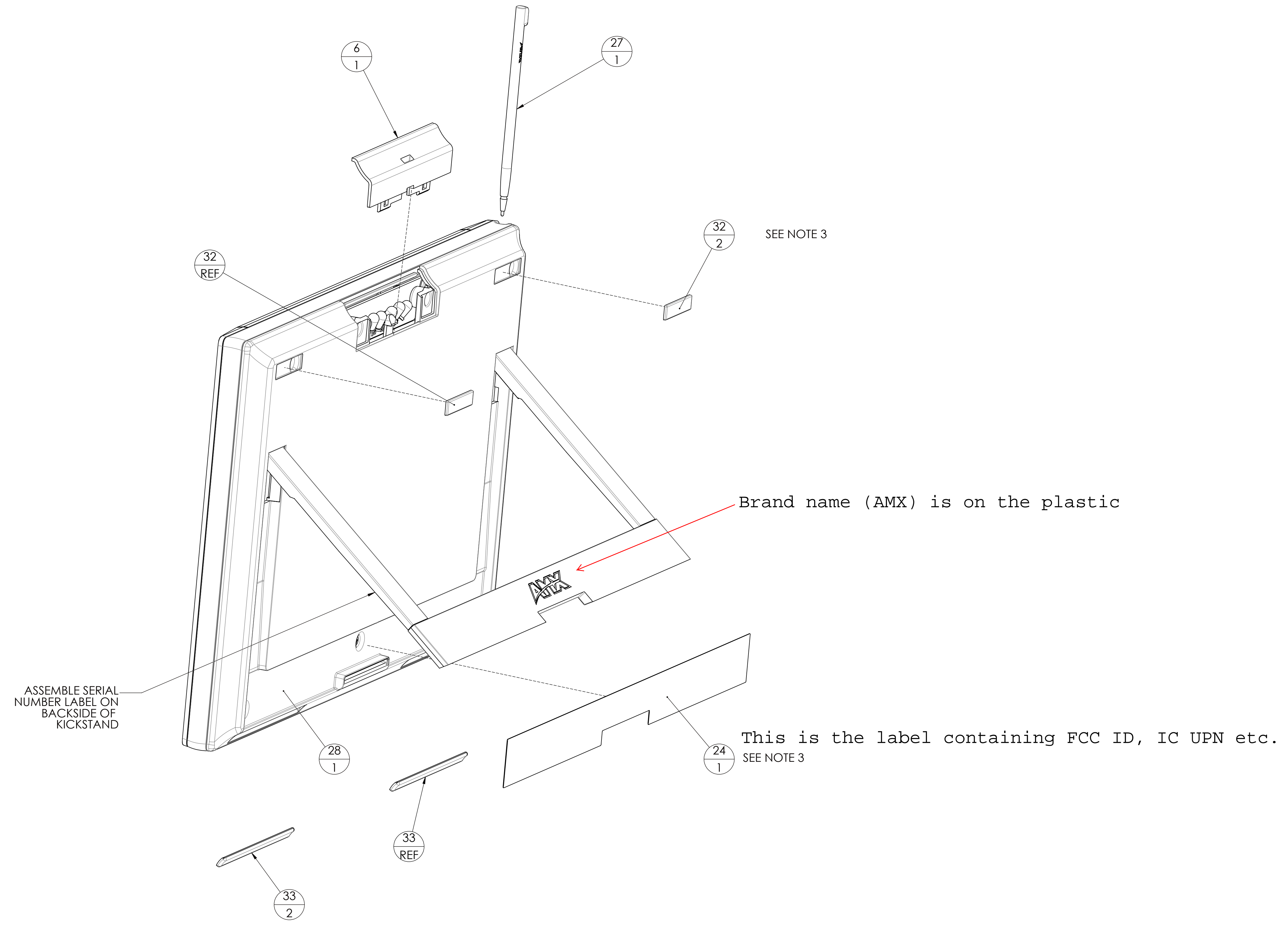
A B C D E F G H

1

2


3

4



FINAL ASSEMBLY
 TO BE COMPLETED AFTER
 FINAL TESTING AND/OR BURN-IN

NOTICE: This drawing is the property of AMX LLC. All information contained herein that is not generally known shall be confidential except to the extent the information has been previously established. This drawing may not be copied, reproduced, or used as the basis for manufacture or sale without written permission.

		AMX LLC 3000 RESEARCH DRIVE RICHARDSON, TX 75082	
		ENGINEERING ASSEMBLY, 9.0 TOUCH PANEL	
SIZE D	DWG. NO. EA5967-01	REV. A	SHEET 5 of 5
SCALE 1:1			

A B C D E F G H