

Overview

The MXA-HST Modero X Series Bluetooth Handset (FG5968-17) is an optional accessory for use with the Modero X series of touch panels. The handset allows wireless Bluetooth audio communication via the touch panel, while the handset's Charging Cradle allows recharging either via a USB connection to the touch panel or via the included electrical adapter.

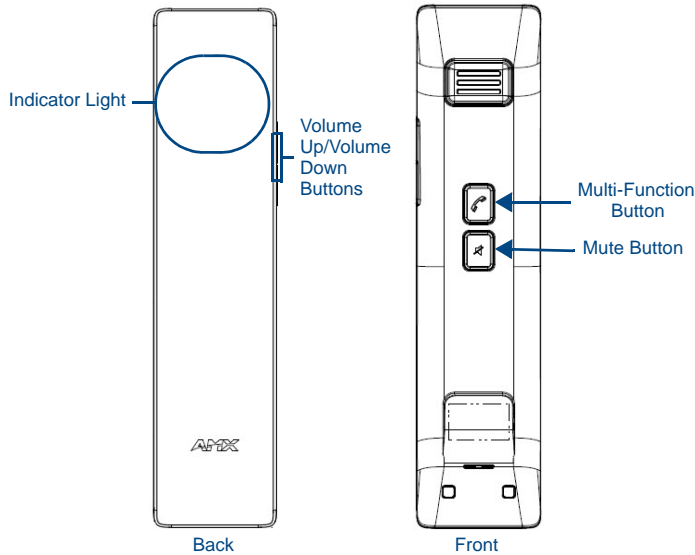


FIG. 1 MXA-HST Handset

Product Specifications

MXA-HST Specifications	
Power Requirements:	TBD
Bluetooth Specification:	V2.1+EDR Class 2
Bluetooth ProRes Supported:	Headset Handsfree, A2DP and AVRCP
Range of Frequency:	2.4GHz Spectrum
Nominal Charging Time:	Within 3 hours
Talk Time:	Up to 5 hours
Standby Time:	Up to 130 hours
Dimensions (HWD):	<ul style="list-style-type: none"> Handset: 6.88" x 1.62" x .77" (17.46 cm x 4.12 cm x 1.95 cm) Charging Station: 1.93" x 3.64" x 3.01" (5.06 cm x 9.25 cm x 7.65 cm)
Weight:	<ul style="list-style-type: none"> Handset: 0.2 lbs (90.72 g) Charging Cradle: 0.2 lbs (90.72 g)
Certifications:	<ul style="list-style-type: none"> CE FCC part 15 Class A
Included Accessories:	<ul style="list-style-type: none"> Power plug, US (FGXXXX)
Other AMX Equipment:	<ul style="list-style-type: none"> International power plug adapters, 3-pack (FGXXXX)

Safety and Battery Charging Information

Safety Information

- Do not dismantle, open, or shred the battery.
- Do not short-circuit the battery. Do not store batteries haphazardly in a box or drawer where they may short-circuit each other or be short-circuited by conductive materials.
- Do not remove a battery from its original packaging until required for use.
- Do not expose batteries to heat or fire. Avoid storage in direct sunlight.
- Do not subject the batteries to mechanical shock.
- In the event of a cell leaking, do not allow the liquid to come in contact with the skin or eyes. If contact has been made, wash the affected area with copious amounts of water and seek medical advice.
- Equipment should be designed to prohibit the incorrect insertion of the battery and its connector.
- Store the batteries in a dry place with the temperature between 32° F (0° C) and 104° F (40° C).

- Do not maintain the battery on charge when not in use.
- Secondary batteries give their best performance when they are operated at normal room temperature: 68° F +/- 5° (20° +/- 5° C).

CAUTION: Risk of explosion if battery is replaced by an incorrect type. Dispose of used batteries according to the instructions.

Charging

- Use only with approved charger.
- Charge with a constant-voltage, constant-current battery charger circuit with the following parameters:
Maximum charge voltage 4.20 +/- 0.025 VDC
Maximum charge current: 640 mA
Charge temperature range: 32° to 104° F (0° C to 40° C)

Disposal

- When disposing of batteries, keep cells or batteries of different electrochemical systems separate from each other.
- Recycle or dispose of this battery in accordance with local regulations.

FCC Notice

This device complies with part 15 of the FCC Rules. Operation is subject to the following two conditions: (1) This device may not cause harmful interference, and (2) this device must accept any interference received, including interference that may cause undesired operation. Changes or modifications not expressly approved by the party responsible for compliance could void the user's authority to operate the equipment.

NOTE: This equipment has been tested and found to comply with the limits for a Class B digital device, pursuant to part 15 of the FCC Rules. These limits are designed to provide reasonable protection against harmful interference in a residential installation. This equipment generates, uses and can radiate radio frequency energy and, if not installed and used in accordance with the instructions, may cause harmful interference to radio communications. However, there is no guarantee that interference will not occur in a particular installation. If this equipment does cause harmful interference to radio or television reception, which can be determined by turning the equipment off and on, the user is encouraged to try to correct the interference by one or more of the following measures:

- Reorient or relocate the receiving antenna.
- Increase the separation between the equipment and receiver.
- Connect the equipment into an outlet on a circuit different from that to which the receiver is connected.
- Consult the dealer or an experienced radio/TV technician for help.

Indicator Light Status

The indicator light on the back of the MXA-HST (FIG. 1) flashes and changes color based on the handset's current status.

Indicator Light	
Handset Status	Indicator Light
Standby	Flash white
Charging (OFF MODE)	Solid blue
Fully Charged (OFF MODE)	Solid white
Mute	Solid red
Low Battery	Flash red with beep every minute
Out of Charge	Indicator light turns off
Out of Range	Solid blue for 5 seconds

Getting Started

To use your MXA-HST Bluetooth handset:

- Ensure that your handset is fully charged.
- Pair your charged handset with a Modero X Series touch panel. For more information, please refer to the *Pairing the MXA-HST with a Modero X Series Touch Panel* section on page 2 below.

Charging the MXA-HST

The MXA-HST comes with a built-in rechargeable battery. Prior to using the handset for the first time, fully charging the battery is highly recommended.

To charge your handset:

1. If you wish to charge your MXA-HST via USB, insert the USB plug of the Charging Cradle (FIG. 2) into an available USB port on the Modero X Series touch panel.
2. Insert the base of the handset into the Charging Cradle. The indicator light on the back of the handset will turn blue while the handset is charging and solid white when it is fully charged. The charging indicator will be delayed for a few seconds if the handset has not been used for a long time or the battery is drained.

NOTE: Use only the supplied Charging Cradle and USB charging cable to charge the handset.

WARNING: Do not use the handset while it is seated in the Charging Cradle.

NOTE: Fully charging the handset may require up to three hours.

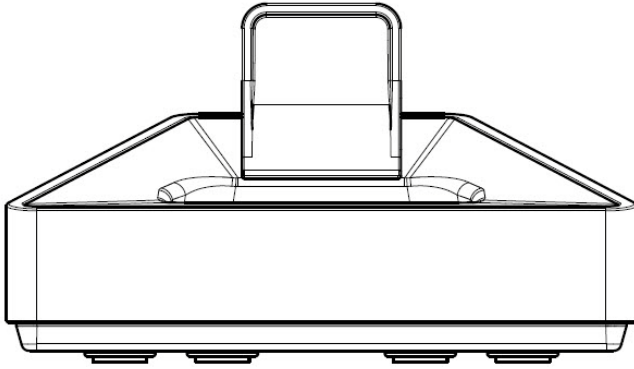


FIG. 2 MXA-HST Charging Cradle (front)

Pairing the MXA-HST with a Modero X Series Touch Panel

To pair your handset with a Modero X Series touch panel:

1. Ensure that your handset is off before starting.
2. To activate the pairing mode, press and hold the handset's **Multi-Function Button** (MFB)(FIG. 1) for 8 seconds.
3. From the touch panel's Settings Pages, pair the device with the touch panel. For more information on pairing a Modero X Series touch panel with a Bluetooth device, please refer to the *Modero X Series Programming Guide*, available from www.amx.com.
4. If the pairing cannot be completed within three minutes after the pairing mode has been activated, the indicator light on the back of the MXA-HST will flash red rapidly five times and then shut off. Repeat steps 1 through 3 to pair both devices again.

Resetting the MXA-HST/Removing Its Pairing History

To reset your MXA-HST handset or remove its Bluetooth pairing history:

1. While the handset is in OFF mode, hold the **Volume** button and seat the handset into the Charging Cradle. The indicator light will flash red twice.
2. Release the **Volume** button.
3. The indicator light will stay red again and the handset is reset.

Using the MXA-HST with a Modero X Series Touch Panel

Using the MXA-HST with a Modero X Series Touch Panel			
Function	Button	Audio Indicator	LED Indicator
Power ON	Press and hold MFB for 2 seconds	Short beep through the earphone	Flash white light 3 times
Power OFF	Press and hold MFB for 2 seconds	Long beep through the earphone	Flash blue light 2 times and then turns off
Standby/Wake Up	N/A	N/A	Flash white light every 8 seconds
Charging	N/A	N/A	Solid blue light
Fully Charged	N/A	N/A	Solid white light
Low battery	N/A	Long beep through the earphone	Flash red light
Out of battery	N/A	N/A	All lights turn off
Out of range	N/A	Long beep through the earphone	Solid blue light for 5 seconds
Pairing	Press and hold MFB for 8 seconds	N/A	Flash white and blue lights alternately
Incoming Call	N/A	Ringtone through the earphone	Blinking blue light
Answer/End a call	Press MFB once	Two step-up tones for Answer Two step-down tones for Hang-up	Flash white light every 8 seconds
Adjust Volume	Press VOL UP and VOL DOWN	Short beep through the earphone	N/A
Last Number Redial	Press MFB twice	N/A	N/A
Reject Incoming Call	Hold VOL UP or VOL DOWN for 2 seconds	Short beep	N/A
Mute	Press Mute button once		Solid red light

