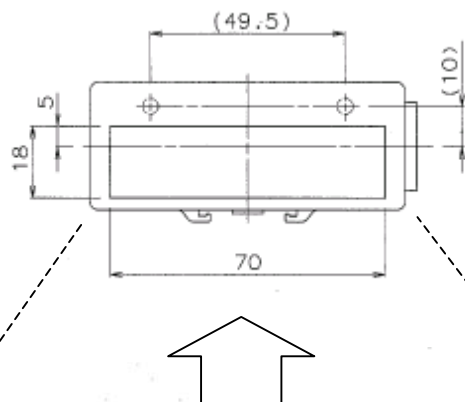


Label

Control UNIT (TWD1U750)



FCC ID: CWTW750 IC: 1788D-FWD1U750 MODEL NAME: TWD1U750 ALPS ELECTRIC CO., LTD. MADE IN JAPAN	THIS DEVICE COMPLIES WITH PART 15 OF THE FCC RULES. OPERATION IS SUBJECT TO THE FOLLOWING TWO CONDITION: (1) THIS DEVICE MAY NOT CAUSE HARMFUL INTERFERENCE, AND (2) THIS DEVICE MUST ACCEPT ANY INTERFERENCE RECEIVED, INCLUDING INTERFERENCE THAT MAY CAUSE UNDESIRE OPERATION.
---	---

*The way of attaching FCC ID is "Carving"