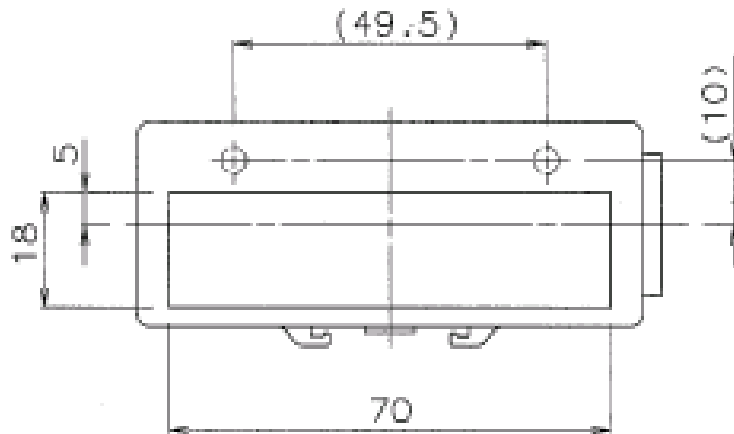


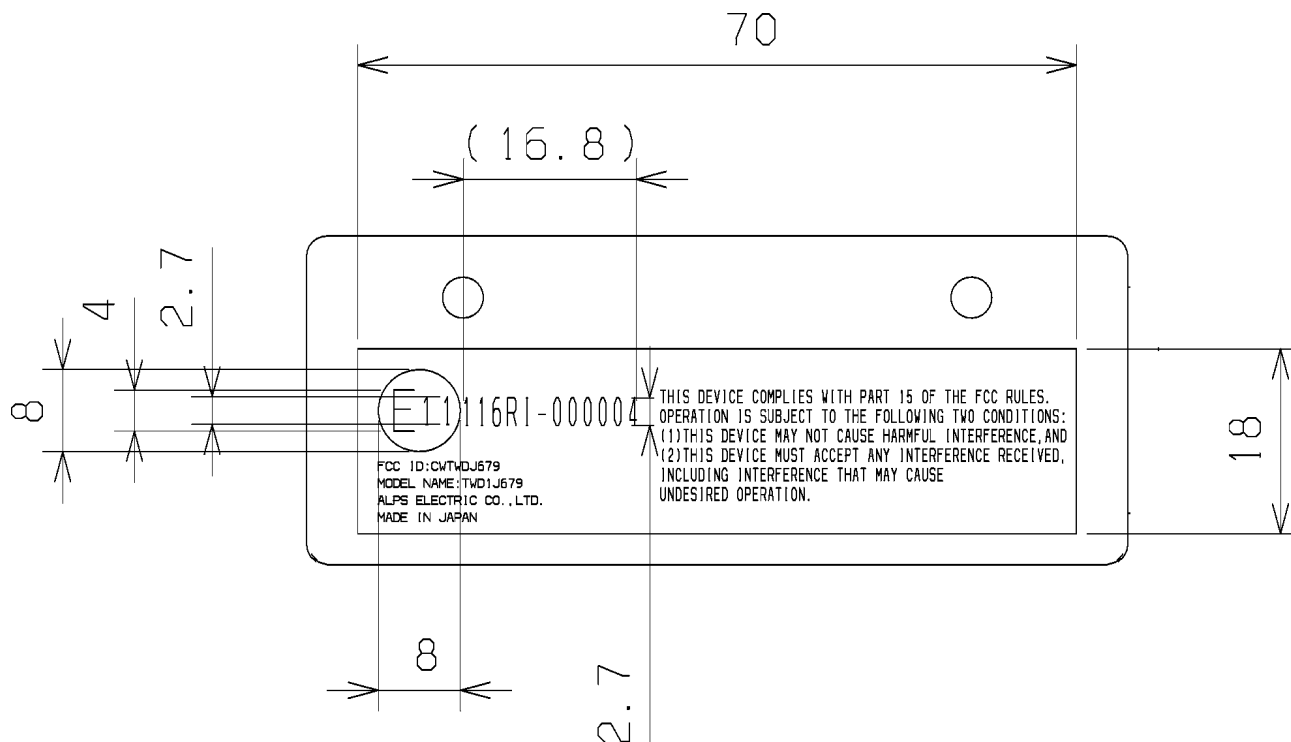
Label

Control UNIT (TWD1J679)

Label position:



Label detail:



*The way of attaching FCC ID is "Carving".