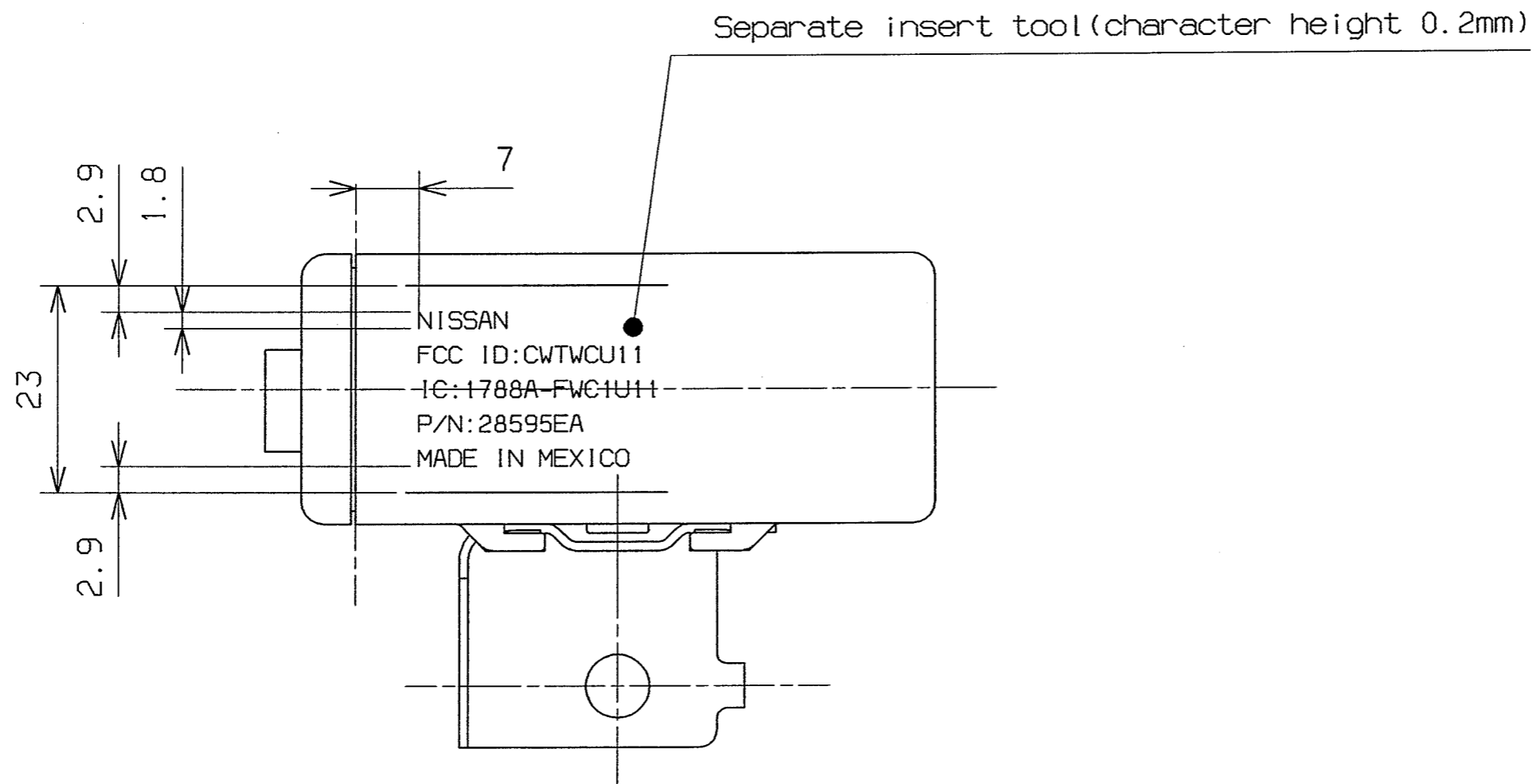


Separate insert tool (character height 0.2mm)



Separate insert tool (character height 0.2mm)