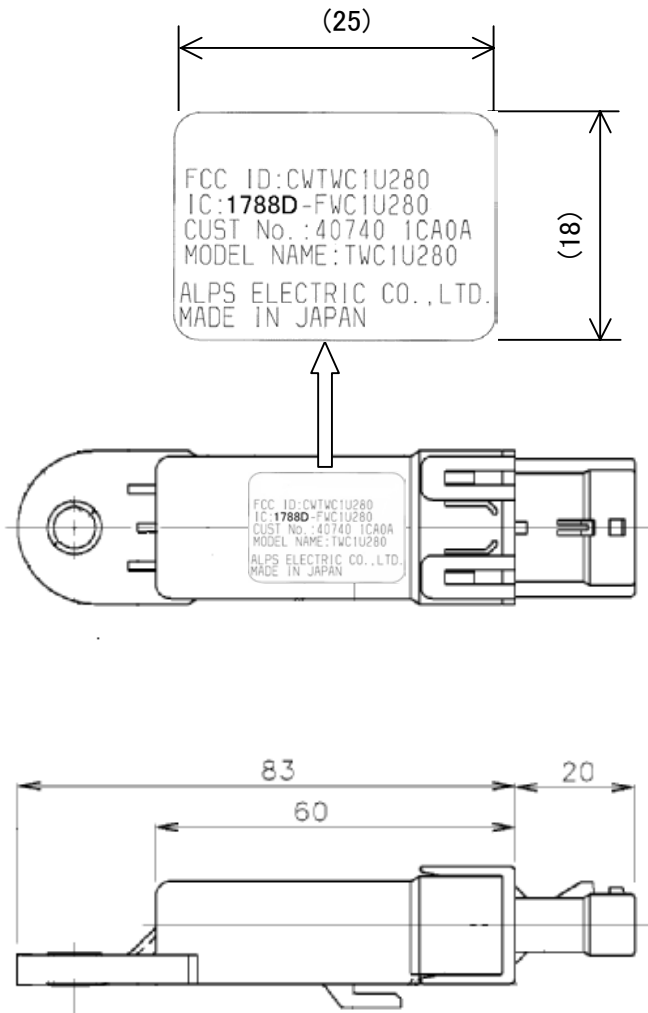


### Label drawing \_ TWC1U280



unit:mm